

NOTES:
 FINISH - GRAY BAKED ENAMEL
 SHORT CIRCUIT CURRENT RATING:
 10,000 AMPERES WHEN PROTECTED BY CLASS H OR K FUSES.
 100,000 AMPERES WHEN PROTECTED BY CLASS J, CLASS R OR CLASS T FUSES.
 DTU LINE DEVICES ARE LOAD-MAKE, LOAD-BREAK.
 UL LISTED - FILE E-5239-G AND cUL LISTED FOR USE IN CANADA.
 SUITABLE FOR USE AS SERVICE EQUIPMENT IN US ONLY.
 ● SERVICE GROUND SUPPLIED BY FACTORY. PART NUMBER FOR REPLACEMENT PURPOSES ONLY.
 ▲ USE ANY TWO SWITCHING POLES FOR DC.

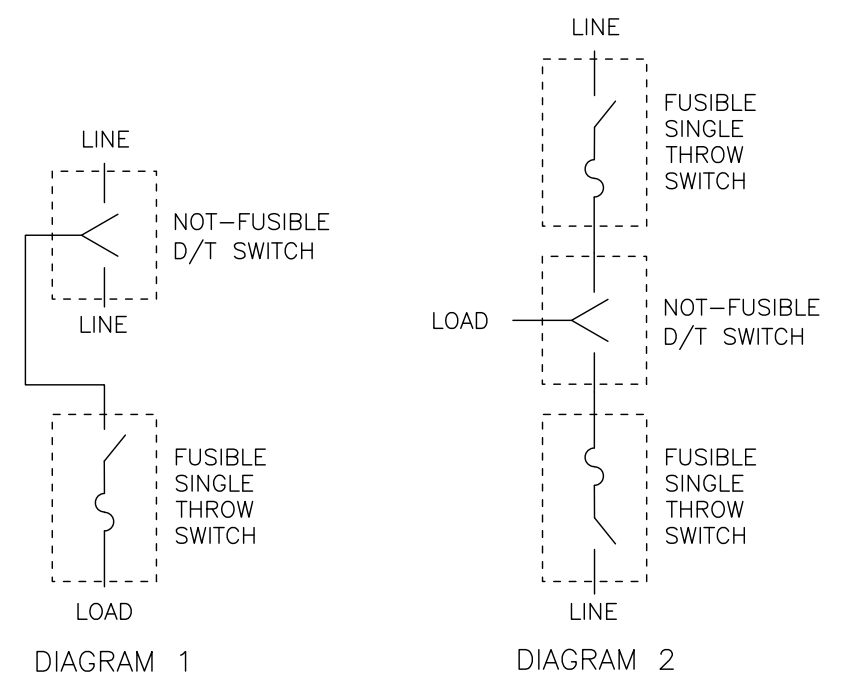
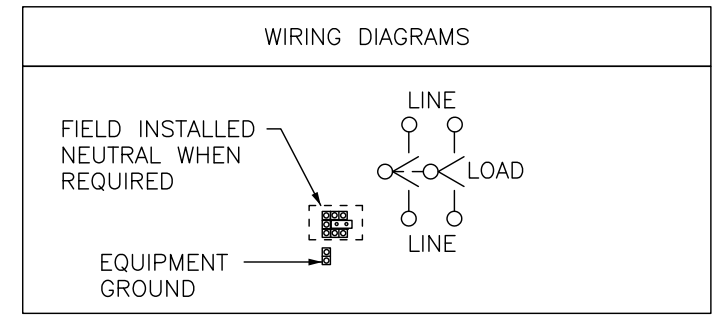


DIAGRAM 1 AND 2 ILLUSTRATE METHODS OF APPLYING FUSES TO DOUBLE THROW SWITCHES WHEN REQUIRED.

DUAL DIMENSIONS: INCHES
 MILLIMETERS

HORSEPOWER RATING			
VOLTAGE	PHASE	STD	MAX
250VDC ▲	---	50	---

FIELD INSTALLABLE ACCESSORIES	
NEUTRAL KIT	DT400NKD
ELECTRICAL INTERLOCK	DS200EK2D
EQUIPMENT GROUND ●	DS468GKD

CATALOG NUMBER	VOLTAGE RATINGS	TERMINAL LUGS			
		AMPERES	MAX WIRE	MIN WIRE	TYPE
DTU225	240VAC/250VDC ▲	400	(1) 1/0 - 750	(2) 1/0 - 300	AL/CU
DTU225R	240VAC/250VDC ▲				

2 POLE DOUBLE THROW SAFETY SWITCHES
 400 AMPERE
 ENCLOSURE - NEMA TYPE 1, 3R, 12, 4X GENERAL PURPOSE

DWG# PWCCB-SAFSW-0024
 NO.