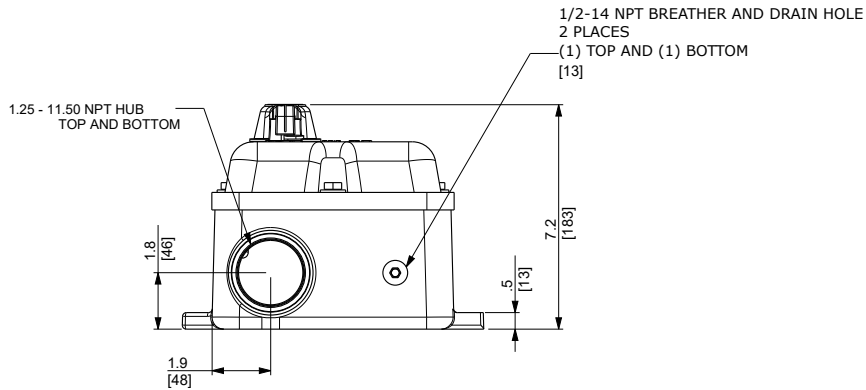


CIRCUIT BREAKER CATALOG NO. PREFIX	AMPERE RATING	CONDUCTORS PER PHASE	WIRE SIZE (AWG) (mm ²)		TYPE
			MAX.	MIN.	
			BD	15 - 125	
BG	15 - 125	1	#3/0 95	#14 2.5	CU / AL
BJ	15 - 125	1	#3/0 95	#14 2.5	CU / AL
BK	15 - 30	1	#3/0 95	#14 2.5	CU / AL



● B100X
NEMA/EEMAC TYPE 7/9

CATALOG NUMBER	MAXIMUM AMEPRE RATING	NUMBER OF TERMINALS	CONDUCTORS PER TERMINALS	WIRE SIZE (AWG)		TYPE
				MAX.	MIN.	
				100SNA	100A	

CIRCUIT BREAKER CATALOG NO. PREFIX	WIRING DIAGRAM	AMPERE RATING	UL LISTED INTERRUPTING RATING RMS SYMMETRICAL AMPERES (ka)					
			Vac					Vdc
			208Y/120	240	480Y/277	480	600Y/347	250
BD	A	15 - 125	25	25	18	18	14	10
	B	15 - 125	25	25	18	18	14	10
BG	A	15 - 125	65	65	35	35	18	20
	B	15 - 125	65	65	35	35	18	20
BJ	A	15 - 125	100	100	65	65	25	50
	B	15 - 125	100	100	65	65	25	50
BK	A	15 - 30	100	100	65	65	65	—

ENCLOSURE ACCEPTS PowerPact™ B, 2 & 3 POLE BREAKERS ONLY

- NOTES:
 FINISH – ALUMINUM LACQUERED ON CAST ALUMINUM.
 UL / cULus LISTED – FILE E-10944
 SUITABLE FOR USE AS SERVICE EQUIPMENT WHEN NEUTRAL ASSEMBLY IS INSTALLED (USA ONLY).
 NEUTRAL – INSULATED GROUNDABLE.
 USE 75 °C COPPER WIRE ONLY.
 ● USE #3 AWG COPPER WIRE MAXIMUM FOR 100A RATING.
 PKDB1, BREATHER AND DRAIN KIT INCLUDED FOR OUTDOOR USE.
 THE SHORT CIRCUIT CURRENT RATING OF THIS ENCLOSED CIRCUIT BREAKER IS EQUAL TO THE INTERRUPTING RATING, AT THE SUPPLY VOLTAGE MARKED ON THE CIRCUIT BREAKER INSTALLED.
 ENCLOSURE ACCEPTS 2 & 3 POLE BREAKERS ONLY.
 ENCLOSURES ACCEPT STANDARD 80% RATED CIRCUIT BREAKERS.

DUAL DIMENSIONS: INCHES [MILLIMETERS]

CIRCUIT BREAKER ENCLOSURES
 15 - 100 AMPERE
 NEMA/EEMAC TYPE 7 / 9 HAZARDOUS LOCATIONS
 CLASS I, GROUPS C & D
 CLASS I, ZONES 1 & 2, GROUPS IIB, IIA
 CLASS II, GROUPS E, F & G
 CLASS III



by Schneider Electric

DWG. NO. PWCCB-ENCCB-0023

PWCCB-ENCCB-0023