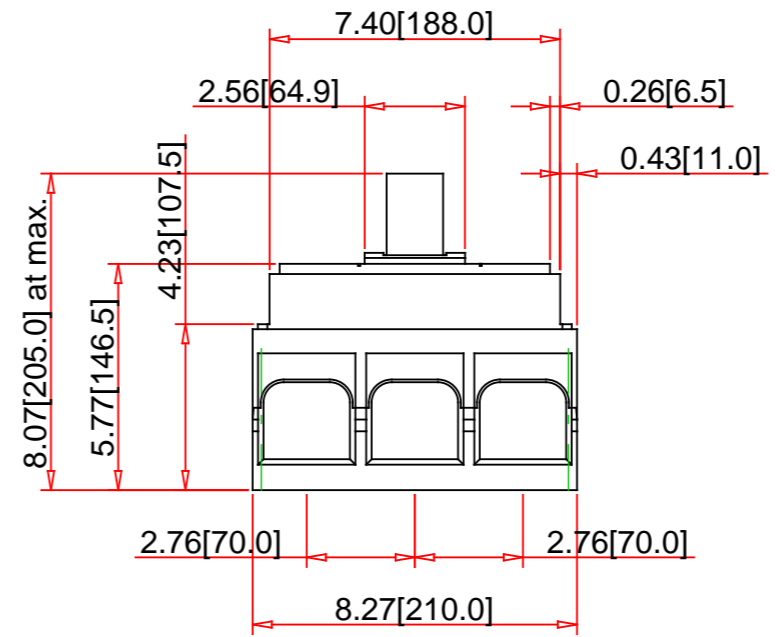
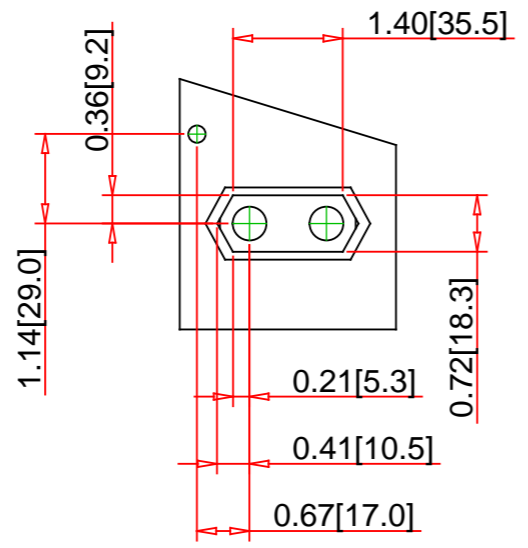



Partial View A (far side)



Note:
 - Drawings Not To Scale
 - Drawings Subject to Change Without Notice
 - Dimensions are inches next to [Millimeters]

Part No.:
PJF36000S80


 by **Schneider Electric**
 Schneider Electric United States
 North American Division
 Boston One Campus
 800 Federal Street
 Andover, MA 01810, USA
 Phone: +1 8773425173
 Email: CCC@us.schneider-electric.com

Technical Information:
General Application: Provides short circuit protection
For Use With: Industrial Enclosures and Switchboards
Approvals: UL Listed - CSA Certified
Mounting Type: Unit Mount
Terminal Type: Bus Connection - Line: terminal - Load: terminal
Wire Size: (3) #3/0-500 AWG/kcmil(Al/Cu)
Weight:
Depth: 7.17 Inches
Height: 12.86 Inches
Width: 8.27 Inches

Specification:
Description: PowerPact P-frame Automatic Molded Case Switch
Number of Poles: 3-Pole
Ampere Rating: 800A
Voltage Rating: 600VAC
Interrupting Rating: 100kA at 240VAC - 65kA at 480VAC - 25kA at 600VAC
Circuit Breaker Rating: 80% Rated