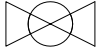
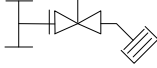

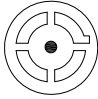
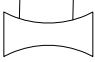




ACRC600-601-602 - InRow RC,600mm,Chilled Water, Package

Sheet No.	Component /Detail	Description
1	Drawing Guide	InRow RC, 600mm, Chilled Water, 200-240V/460-480V/380-415V,50/60Hz, Drawing Guide
2	Isometric View(External)	InRow RC, 600mm, Chilled Water, 200-240V/460-480V/380-415V,50/60Hz, Isometric View(External)
3	General Arrangement	InRow RC, 600mm, Chilled Water, 200-240V/460-480V/380-415V,50/60Hz, Main Mechanical
4	Top and Bottom Views	InRow RC, 600mm, Chilled Water, 200-240V/460-480V/380-415V,50/60Hz, Top and Bottom View
5	Anchoring Details	InRow RC, 600mm, Chilled Water, 200-240V/460-480V/380-415V,50/60Hz, Anchoring Details
6	Internal Isometric View	InRow RC, 600mm, Chilled Water, 200-240V/460-480V/380-415V,50/60Hz, Internal Isometric View
7	Internal View	InRow RC, 600mm, Chilled Water, 200-240V/460-480V/380-415V,50/60Hz, Internal View
8	Drain line and Condensate line	InRow RC, 600mm, Chilled Water, 200-240V/460-480V/380-415V,50/60Hz, Drain line and Condensate line
9	Top and Bottom connections	InRow RC, 600mm, Chilled Water, 200-240V/460-480V/380-415V,50/60Hz, Top and Bottom connections
10	Piping Diagram	InRow RC, 600mm, Chilled Water, 200-240V/460-480V/380-415V,50/60Hz, Piping Diagram
11	Connection Overview	InRow RC, 600mm, Chilled Water, 200-240V/460-480V/380-415V,50/60Hz, Connection Overview
12	Electrical Panel User Interface	InRow RC, 600mm, Chilled Water, 200-240V/460-480V/380-415V,50/60Hz, Electrical Panel User Interface

LEGEND			
SYMBOL	DESCRIPTION	SYMBOL	DESCRIPTION
	SHUT OFF VALVE		HOSE END DRAIN WITH CAP
	Y-STRAINER		NEMA L21-20P
	CURRENT SETTER		IEC309 16A PLUG
	SECOND STRAINER		

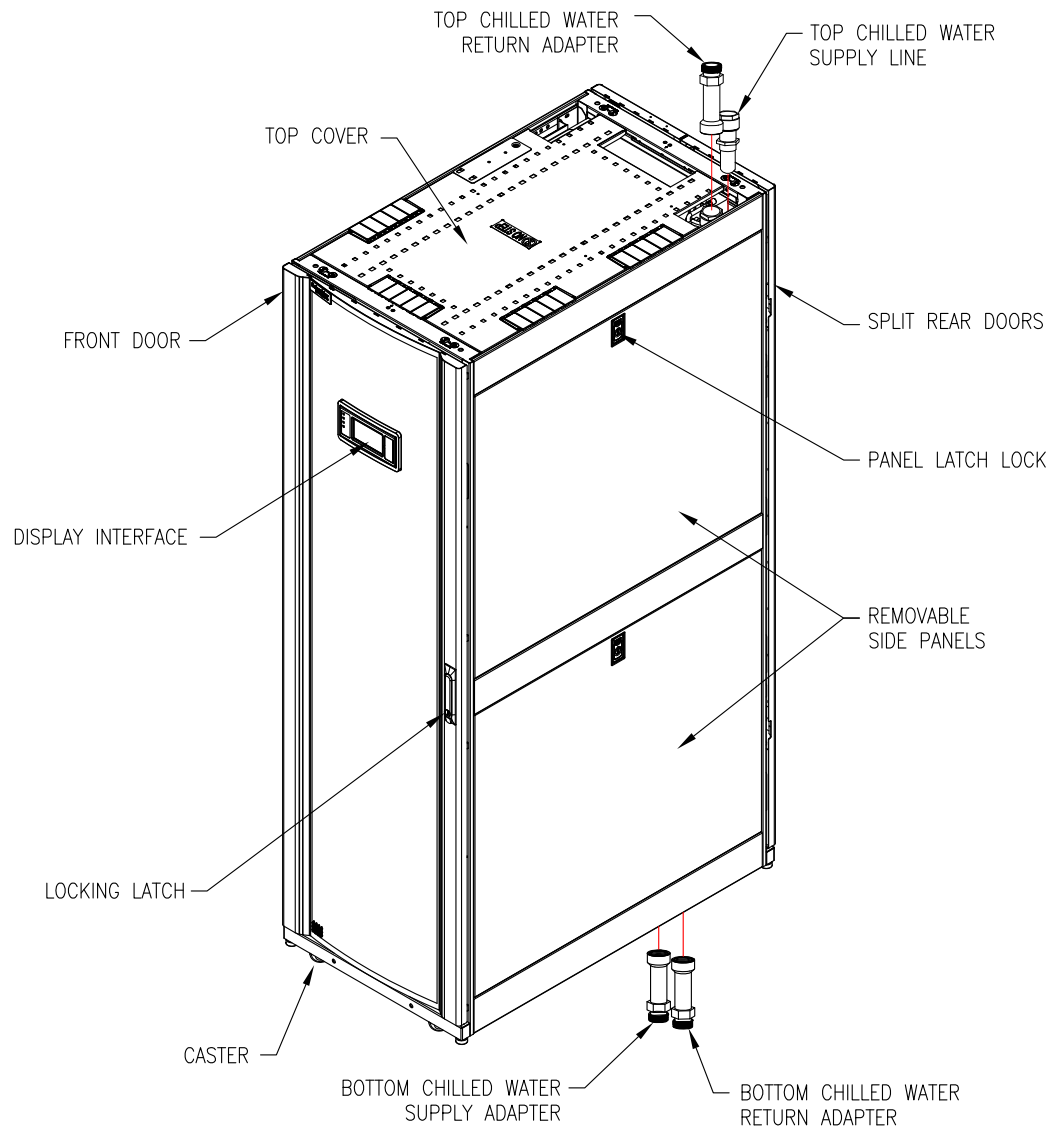
THIS DRAWING AND SPECIFICATIONS HEREIN ARE THE PROPERTY OF SCHNEIDER ELECTRIC AND SHALL NOT BE COPIED, REPRODUCED OR USED IN WHOLE OR IN PART, AS THE BASIS FOR THE MANUFACTURE OR SALE OF ITEMS WITHOUT WRITTEN PERMISSION FROM SCHNEIDER ELECTRIC. THIS DRAWING IS BASED UPON LATEST AVAILABLE INFORMATION AND IS SUBJECT TO CHANGE WITHOUT NOTICE.

Schneider Electric

TITLE: InRow Chilled Water
InRow RC,600mm, Chilled Water
ACRC600:200-240V, 50/60Hz; ACRC601:460-480V, 60Hz &
ACRC602: 380V-415V, 50Hz
DRAWING GUIDE

PROJECT: DRAWINGS SHEET 1 OF 12

DWG NO:	ACRC600-601-602	REV:	0
DRAWN:	K.NAGENDRA	17-OCT-16	ANGLE
ENGINEER:	NICK SCHWEISSGUTH	17-OCT-16	PROJECTION
APPROVED:	NICK SCHWEISSGUTH	17-OCT-16	N/A



ISOMETRIC VIEW (External)

- NOTES:
1. INSTALLATION SHALL COMPLY WITH ALL APPLICABLE NATIONAL, STATE AND LOCAL ELECTRICAL REGULATIONS.
 2. REFER TO PRODUCT DOCUMENTATION FOR ADDITIONAL DETAILS PRIOR TO INSTALLATION AND SITE PREPARATION WORK.

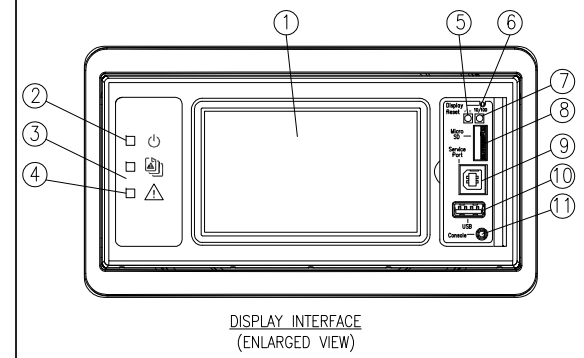
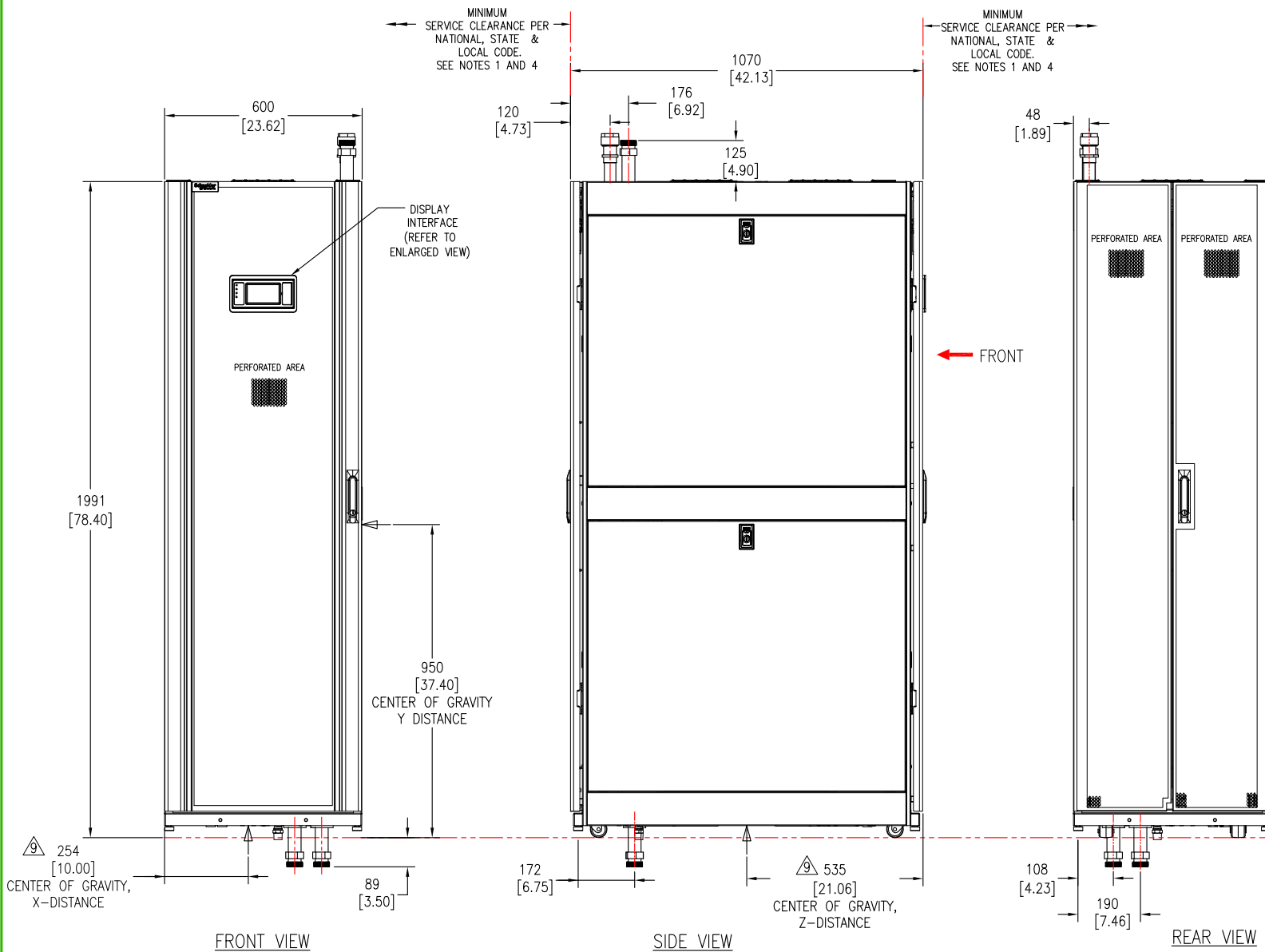
THIS DRAWING AND SPECIFICATIONS HEREIN ARE THE PROPERTY OF SCHNEIDER ELECTRIC AND SHALL NOT BE COPIED, REPRODUCED OR USED IN WHOLE OR IN PART, AS THE BASIS FOR THE MANUFACTURE OR SALE OF ITEMS WITHOUT WRITTEN PERMISSION FROM SCHNEIDER ELECTRIC. THIS DRAWING IS BASED UPON LATEST AVAILABLE INFORMATION AND IS SUBJECT TO CHANGE WITHOUT NOTICE.



TITLE: InRow Chilled Water
InRow RC,600mm, Chilled Water
ACRC600:200-240V, 50/60Hz; ACRC601:460-480V, 60Hz &
ACRC602: 380V-415V, 50Hz
ISOMETRIC VIEW(EXTERNAL)

PROJECT: DRAWINGS SHEET 2 OF 12

DWG NO:	ACRC600-601-602	REV:	0
DRAWN:	K.NAGENDRA	17-OCT-16	FIRST ANGLE PROJECTION
ENGINEER:	NICK SCHWEISSGUTH	17-OCT-16	
APPROVED:	NICK SCHWEISSGUTH	17-OCT-16	



- | | |
|----|---------------------------|
| 1 | LCD Display |
| 2 | Power LED |
| 3 | Check Log LED |
| 4 | Alarm LED |
| 5 | Status LED |
| 6 | Display Reset Button |
| 7 | Link-RX/TX(10/100) LED |
| 8 | Micro SD card slot |
| 9 | Service port |
| 10 | USB-A port |
| 11 | Serial Configuration port |

NOTES:

- INSTALLATION SHALL COMPLY WITH ALL APPLICABLE NATIONAL, STATE AND LOCAL ELECTRICAL REGULATIONS.
- REFER TO PRODUCT DOCUMENTATION FOR ADDITIONAL DETAILS PRIOR TO INSTALLATION AND SITE PREPARATION WORK.
- ALL DIMENSIONS ARE IN MILLIMETERS [INCHES].
- A MINIMUM 1200mm [48"] CLEARANCE IS REQUIRED IN FRONT OR REAR OF THE ACRC UNIT, IF THE UNIT HAS TO BE REMOVED FROM THE ROW..
- TOP OR BOTTOM PIPING CONFIGURATIONS.
- FRONT & REAR ACCESS IS REQUIRED FOR SERVICE.
- NET WEIGHT OF UNIT 345kg [760 lb].
OPERATING WEIGHT OF UNIT 363 kg [800 lb].
VOLUME OF FLUID IN UNIT IS 18.1 LITERS [4.8 gal], EXCLUDES PIPING BEYOND INTERNAL UNIONS.
- FLOOR LOADING: 569 kg/meter² [117 lb/ft²].
- THIS INFORMATION PROVIDED CONSERVATIVE CENTER OF GRAVITY CALCULATION.

THIS DRAWING AND SPECIFICATIONS HEREIN ARE THE PROPERTY OF SCHNEIDER ELECTRIC AND SHALL NOT BE COPIED, REPRODUCED OR USED IN WHOLE OR IN PART, AS THE BASIS FOR THE MANUFACTURE OR SALE OF ITEMS WITHOUT WRITTEN PERMISSION FROM SCHNEIDER ELECTRIC. THIS DRAWING IS BASED UPON LATEST AVAILABLE INFORMATION AND IS SUBJECT TO CHANGE WITHOUT NOTICE.



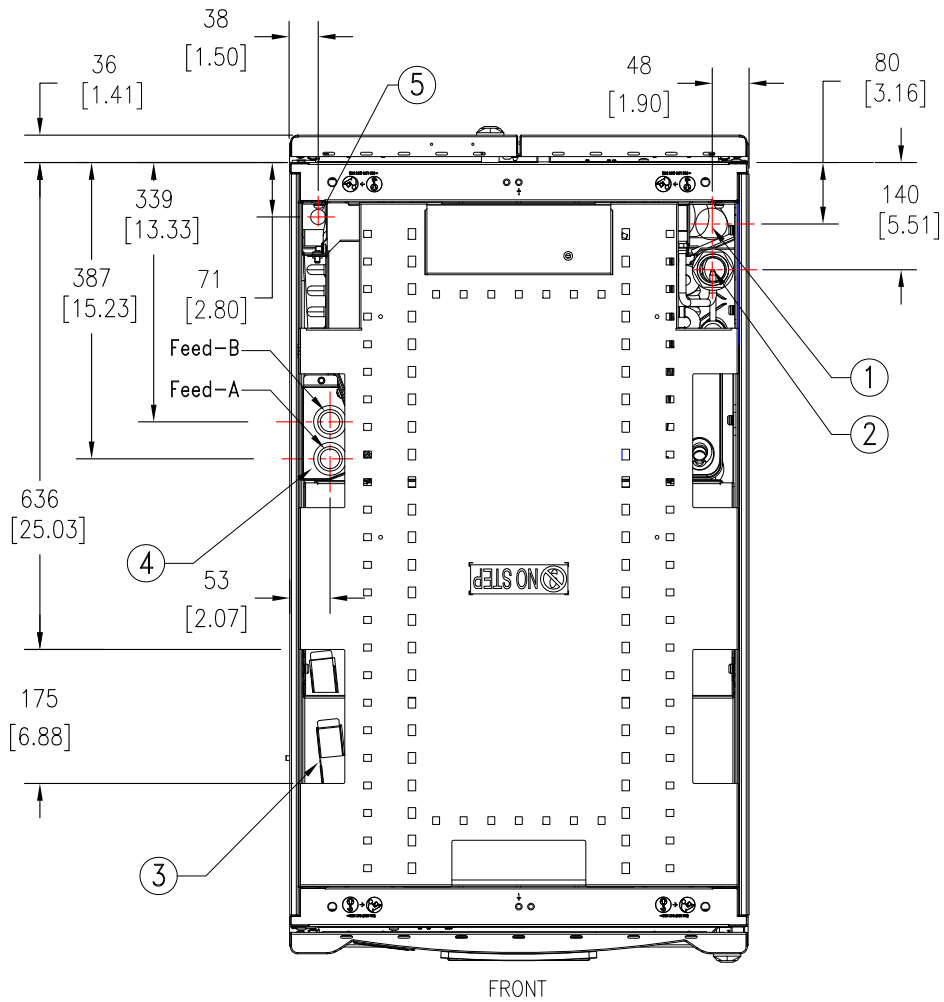
TITLE: InRow Chilled Water
InRow RC,600mm, Chilled Water
ACRC600:200-240V, 50/60Hz; ACRC601:460-480V, 60Hz &
ACRC602: 380V-415V, 50Hz
GENERAL ARRANGEMENT

PROJECT: DRAWINGS **SHEET 3 OF 12**

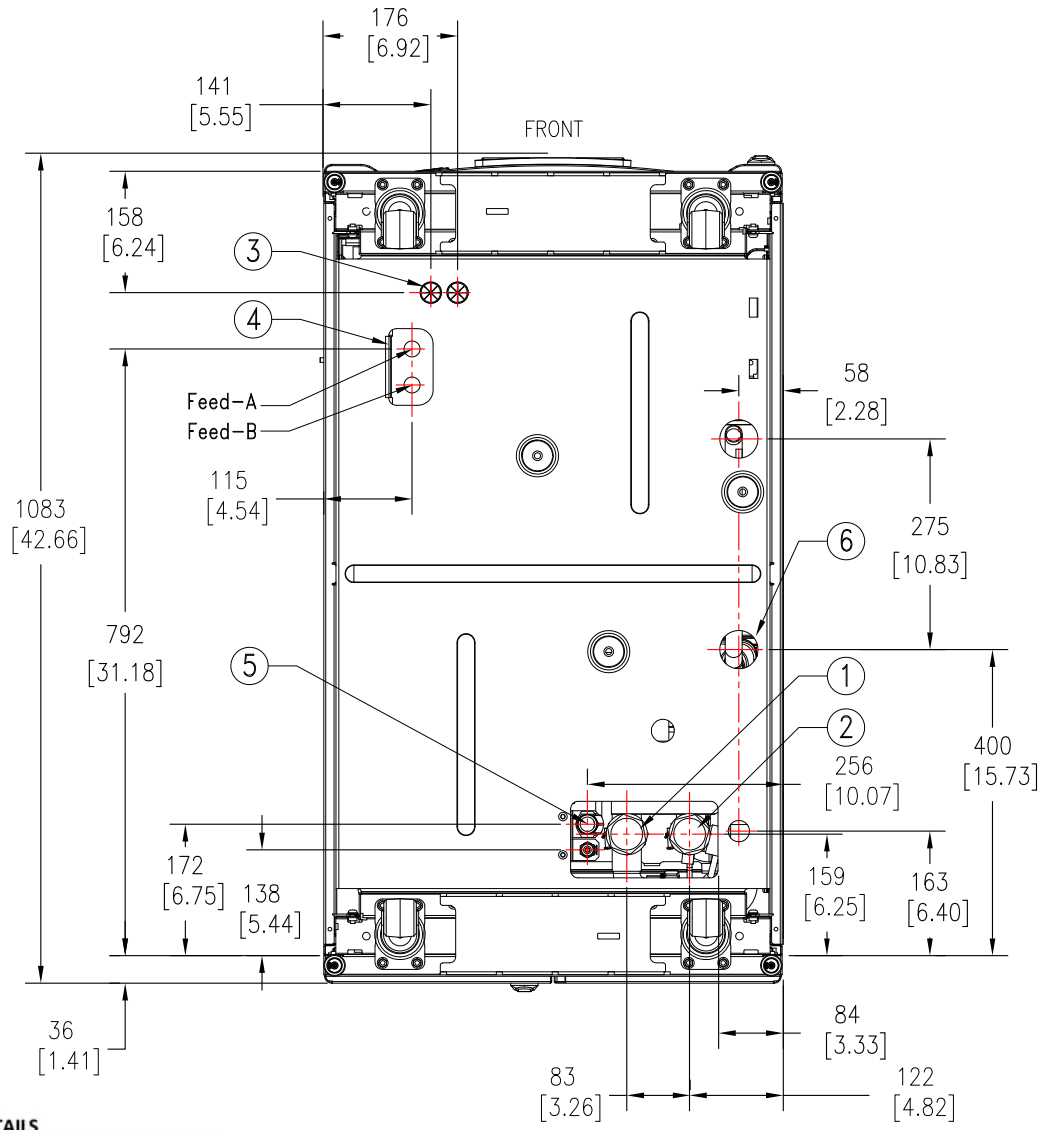
DWG NO: ACRC600-601-602 **REV:** 0

DRAWN: K.NAGENDRA	17-OCT-16
ENGINEER: NICK SCHWEISSGUTH	17-OCT-16
APPROVED: NICK SCHWEISSGUTH	17-OCT-16

FIRST ANGLE PROJECTION



TOP VIEW
(PIPING & POWER FEED LOCATIONS
FOR TOP PIPING)



BOTTOM VIEW
(PIPING & POWER FEED LOCATIONS
FOR BOTTOM PIPING)

POWER AND PIPING DETAILS

ITEM	DESCRIPTION
1	CHILLED WATER INLET
2	CHILLED WATER OUTLET
3	COMMUNICATION CONNECTIONS-27.80mm(1.09 inch)
4	POWER CONNECTIONS-DUAL FEED
5	CONDENSATE DRAIN
6	CONDENSATE OVERFLOW

- NOTES:**
1. INSTALLATION SHALL COMPLY WITH ALL APPLICABLE NATIONAL, STATE AND LOCAL ELECTRICAL REGULATIONS.
 2. REFER TO PRODUCT DOCUMENTATION FOR ADDITIONAL DETAILS PRIOR TO INSTALLATION AND SITE PREPARATION WORK.
 3. ALL DIMENSIONS ARE IN MILLIMETERS [INCHES].

THIS DRAWING AND SPECIFICATIONS HEREIN ARE THE PROPERTY OF SCHNEIDER ELECTRIC AND SHALL NOT BE COPIED, REPRODUCED OR USED IN WHOLE OR IN PART, AS THE BASIS FOR THE MANUFACTURE OR SALE OF ITEMS WITHOUT WRITTEN PERMISSION FROM SCHNEIDER ELECTRIC. THIS DRAWING IS BASED UPON LATEST AVAILABLE INFORMATION AND IS SUBJECT TO CHANGE WITHOUT NOTICE.



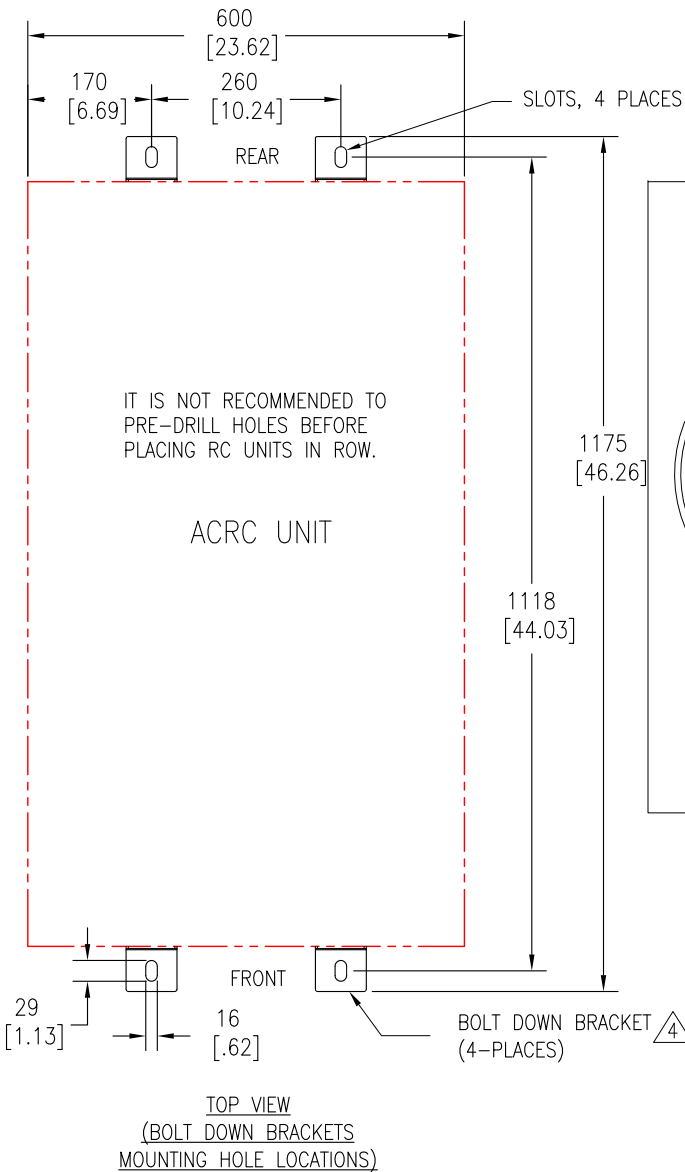
TITLE: InRow Chilled Water
InRow RC,600mm, Chilled Water
ACRC600:200-240V, 50/60Hz; ACRC601:460-480V, 60Hz &
ACRC602: 380V-415V, 50Hz
TOP AND BOTTOM VIEW

PROJECT: DRAWINGS SHEET 4 OF 12

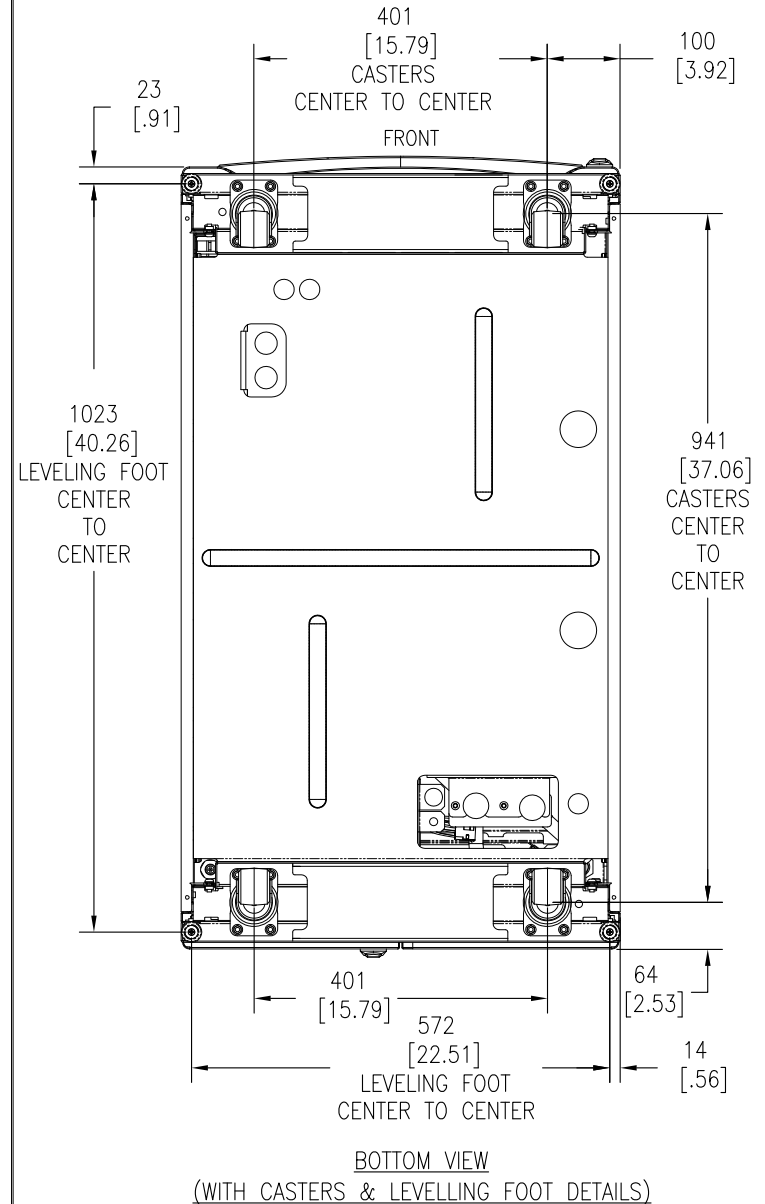
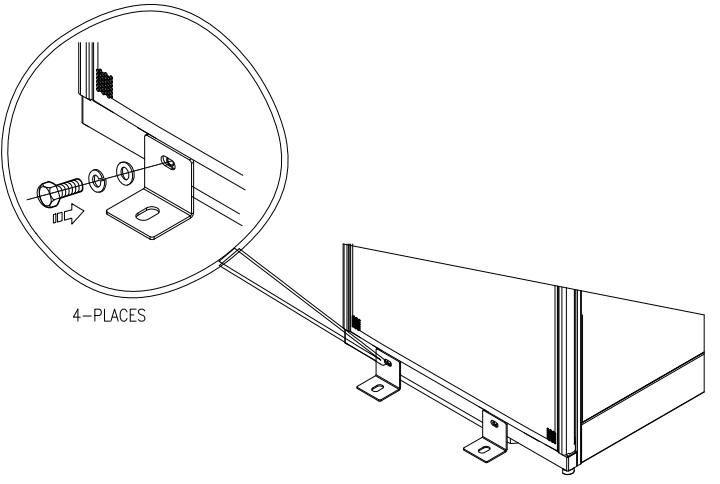
DWG NO: ACRC600-601-602 REV: 0

DRAWN: K.NAGENDRA 17-OCT-16
ENGINEER: NICK SCHWEISSGUTH 17-OCT-16
APPROVED: NICK SCHWEISSGUTH 17-OCT-16

FIRST ANGLE PROJECTION



STABILIZING THE InRow RC:
 TO PREVENT THE ENCLOSURE FROM MOVING FROM ITS FINAL LOCATION (IF NOT BAYED TO ANOTHER DEVICE), USE AR7701(BOLT-DOWN KIT) ATTACH THE BRACKETS TO THE UNIT AS SHOWN. USE CODE COMPLIANT FASTENERS TO SECURE THE UNIT TO THE FLOOR.



NOTES:

- INSTALLATION SHALL COMPLY WITH ALL APPLICABLE NATIONAL, STATE AND LOCAL ELECTRICAL REGULATIONS.
- PLEASE REFER TO PRODUCT MANUALS FOR ADDITIONAL DEATILS PRIOR TO INSTALLATION AND SITE PREPARATION WORK.
- ALL DIMENSIONS ARE IN MILLIMETERS [INCHES].
- $\triangle 4$. BOLT-DOWN KIT (SKU#AR7701) IS OPTIONAL AND HAS TO BE ORDERED SEPARATELY.
- REFER TO "INFRASTRUXURE InRow RC SEISMIC INSTALLATION GUIDE" FOR SEISMIC ANCHORING GUIDELINES.

THIS DRAWING AND SPECIFICATIONS HEREIN ARE THE PROPERTY OF SCHNEIDER ELECTRIC AND SHALL NOT BE COPIED, REPRODUCED OR USED IN WHOLE OR IN PART, AS THE BASIS FOR THE MANUFACTURE OR SALE OF ITEMS WITHOUT WRITTEN PERMISSION FROM SCHNEIDER ELECTRIC. THIS DRAWING IS BASED UPON LATEST AVAILABLE INFORMATION AND IS SUBJECT TO CHANGE WITHOUT NOTICE.



TITLE: InRow Chilled Water InRow RC,600mm, Chilled Water ACRC600:200-240V, 50/60Hz; ACRC601:460-480V, 60Hz & ACRC602: 380V-415V, 50Hz ANCHORING & BOTTOM DETAILS

PROJECT: DRAWINGS SHEET 5 OF 12

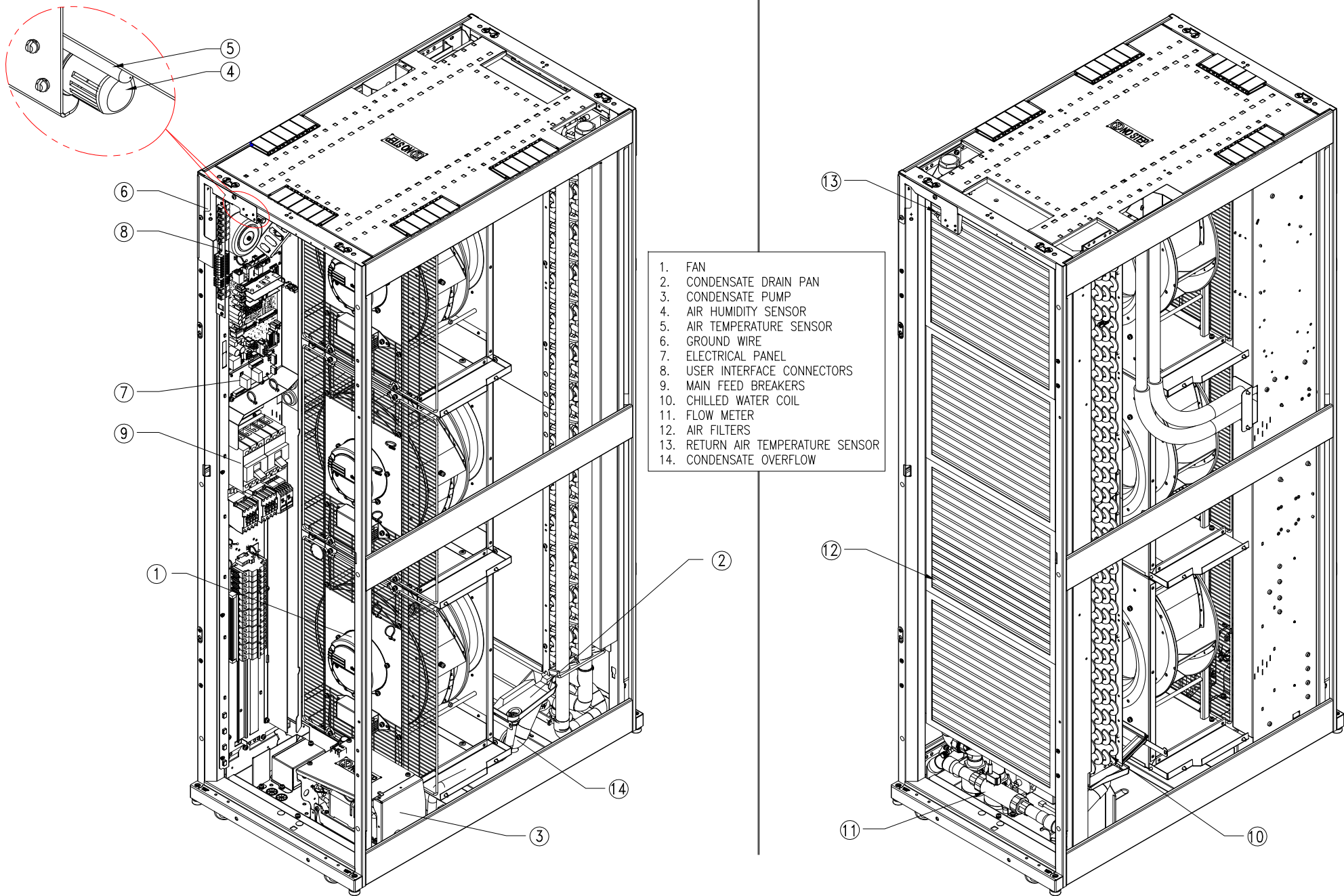
DWG NO: ACRC600-601-602 REV: 0

DRAWN: K.NAGENDRA 17-OCT-16

ENGINEER: NICK SCHWEISSGUTH 17-OCT-16

APPROVED: NICK SCHWEISSGUTH 17-OCT-16

FIRST ANGLE PROJECTION



- 1. FAN
- 2. CONDENSATE DRAIN PAN
- 3. CONDENSATE PUMP
- 4. AIR HUMIDITY SENSOR
- 5. AIR TEMPERATURE SENSOR
- 6. GROUND WIRE
- 7. ELECTRICAL PANEL
- 8. USER INTERFACE CONNECTORS
- 9. MAIN FEED BREAKERS
- 10. CHILLED WATER COIL
- 11. FLOW METER
- 12. AIR FILTERS
- 13. RETURN AIR TEMPERATURE SENSOR
- 14. CONDENSATE OVERFLOW

NOTES:

1. INSTALLATION SHALL COMPLY WITH ALL APPLICABLE NATIONAL, STATE AND LOCAL ELECTRICAL REGULATIONS.
2. REFER TO PRODUCT DOCUMENTATION FOR ADDITIONAL DETAILS PRIOR TO INSTALLATION AND SITE PREPARATION WORK..
3. SOME MECHANICAL COMPONENTS HAVE BEEN OMITTED FOR THE PURPOSE OF CLARITY.

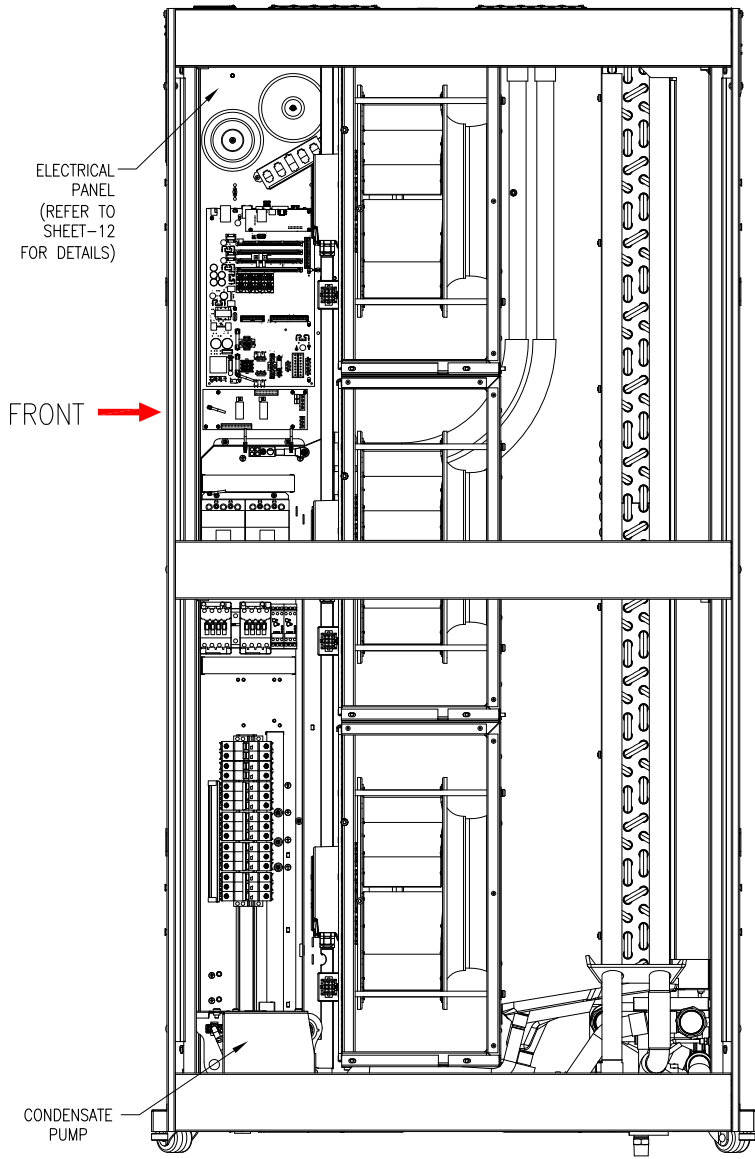
THIS DRAWING AND SPECIFICATIONS HEREIN ARE THE PROPERTY OF SCHNEIDER ELECTRIC AND SHALL NOT BE COPIED, REPRODUCED OR USED IN WHOLE OR IN PART, AS THE BASIS FOR THE MANUFACTURE OR SALE OF ITEMS WITHOUT WRITTEN PERMISSION FROM SCHNEIDER ELECTRIC. THIS DRAWING IS BASED UPON LATEST AVAILABLE INFORMATION AND IS SUBJECT TO CHANGE WITHOUT NOTICE.



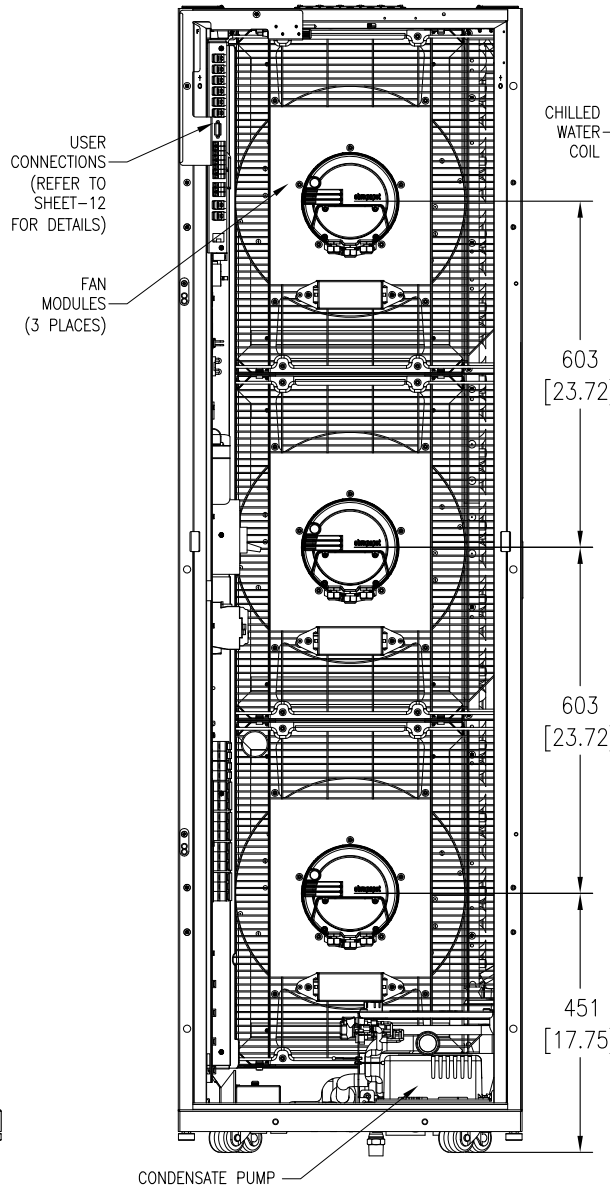
TITLE: InRow Chilled Water
 InRow RC,600mm, Chilled Water
 ACRC600:200-240V, 50/60Hz; ACRC601:460-480V, 60Hz &
 ACRC602: 380V-415V, 50Hz
 INTERNAL-ISOMETRIC VIEW

DWG NO: ACRC600-601-602
 DRAWN: K.NAGENDRA
 ENGINEER: NICK SCHWEISSGUTH

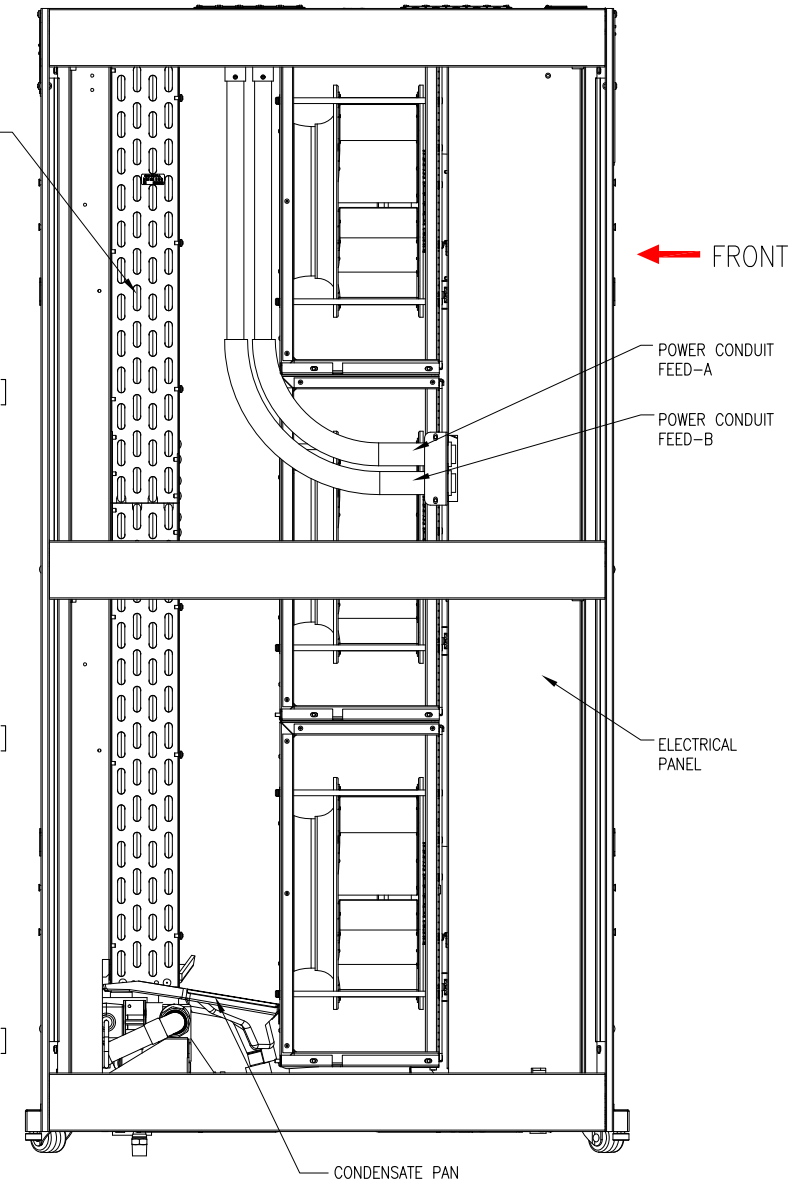
REV: 0
 17-OCT-16
 17-OCT-16
 17-OCT-16



INTERNAL RIGHT SIDE VIEW



INTERNAL FRONT VIEW



INTERNAL LEFT SIDE VIEW

NOTES:

1. INSTALLATION SHALL COMPLY WITH ALL APPLICABLE NATIONAL, STATE AND LOCAL ELECTRICAL REGULATIONS.
2. REFER TO PRODUCT DOCUMENTATION FOR ADDITIONAL DETAILS PRIOR TO INSTALLATION AND SITE PREPARATION WORK..
3. ALL DIMENSIONS ARE IN MILLIMETERS [INCHES].
4. SOME MECHANICAL COMPONENTS HAVE BEEN OMITTED FOR THE PURPOSE OF CLARITY.

THIS DRAWING AND SPECIFICATIONS HEREIN ARE THE PROPERTY OF SCHNEIDER ELECTRIC AND SHALL NOT BE COPIED, REPRODUCED OR USED IN WHOLE OR IN PART, AS THE BASIS FOR THE MANUFACTURE OR SALE OF ITEMS WITHOUT WRITTEN PERMISSION FROM SCHNEIDER ELECTRIC. THIS DRAWING IS BASED UPON LATEST AVAILABLE INFORMATION AND IS SUBJECT TO CHANGE WITHOUT NOTICE.

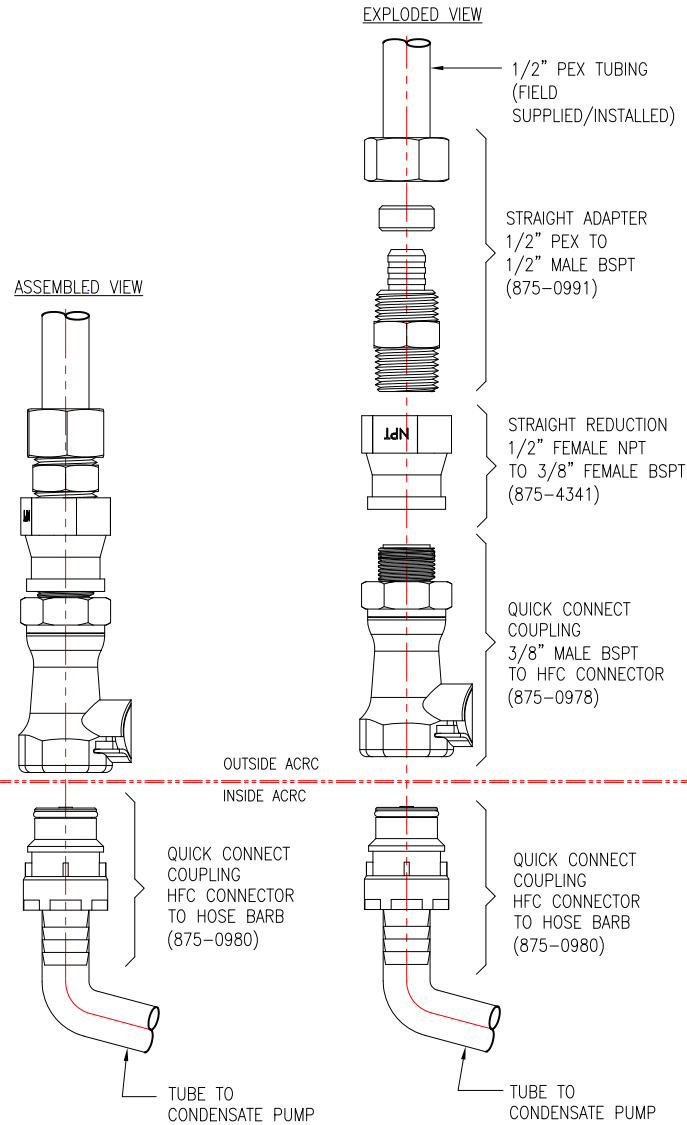
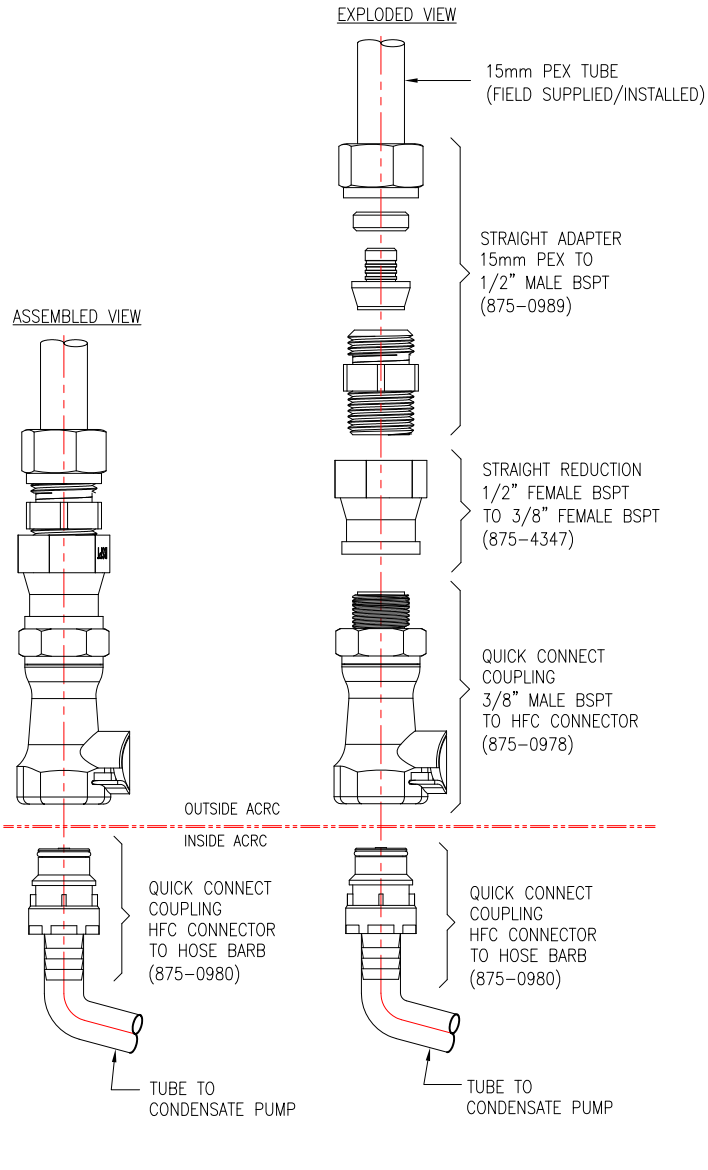


TITLE: InRow Chilled Water
InRow RC,600mm, Chilled Water
ACRC600:200-240V, 50/60Hz; ACRC601:460-480V, 60Hz &
ACRC602: 380V-415V, 50Hz
INTERNAL VIEW
PROJECT: DRAWINGS SHEET 7 OF 12

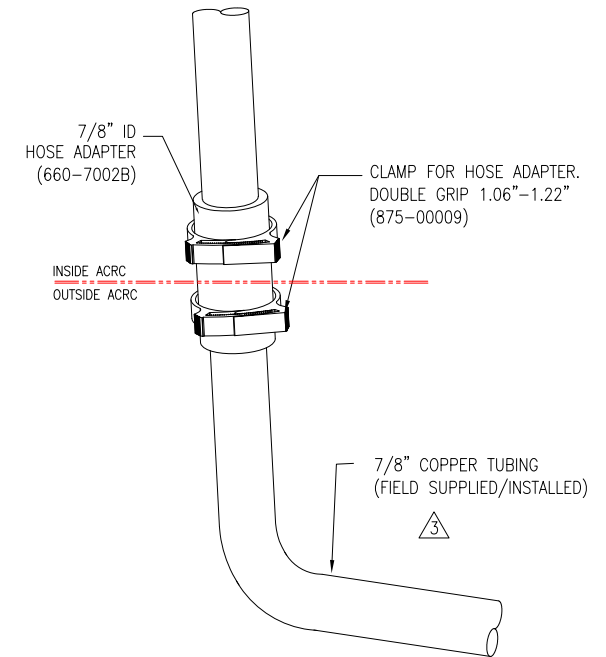
DWG NO: ACRC600-601-602	REV: 0
DRAWN: K.NAGENDRA	17-OCT-16
ENGINEER: NICK SCHWEISSGUTH	17-OCT-16
APPROVED: NICK SCHWEISSGUTH	17-OCT-16

FIRST ANGLE PROJECTION

DRAIN LINE FROM CONDENSATE PUMP



CONDENSATE OVERFLOW LINE



NOTES:

- INSTALLATION SHALL COMPLY WITH ALL APPLICABLE NATIONAL, STATE AND LOCAL ELECTRICAL REGULATIONS.
- REFER TO PRODUCT DOCUMENTATION FOR ADDITIONAL DETAILS PRIOR TO INSTALLATION AND SITE PREPARATION WORK.
- FIELD SUPPLIED/INSTALLED COPPER TUBING IS DESIGNATED TO BUILDING DWV SYSTEM OR DRAIN PAN
- IF RING SEAL IS DAMAGED, USE NEW RING SEAL SUPPLIED WITH UNIT.
- RECOMMENDED TORQUE FOR UNION NUT IS 20Nm [14.75 LBS-Ft].
- RECOMMENDED BRAZING ALLOY IS AWS A5.8 BCuP-5.

THIS DRAWING AND SPECIFICATIONS HEREIN ARE THE PROPERTY OF SCHNEIDER ELECTRIC AND SHALL NOT BE COPIED, REPRODUCED OR USED IN WHOLE OR IN PART, AS THE BASIS FOR THE MANUFACTURE OR SALE OF ITEMS WITHOUT WRITTEN PERMISSION FROM SCHNEIDER ELECTRIC. THIS DRAWING IS BASED UPON LATEST AVAILABLE INFORMATION AND IS SUBJECT TO CHANGE WITHOUT NOTICE.

Schneider Electric

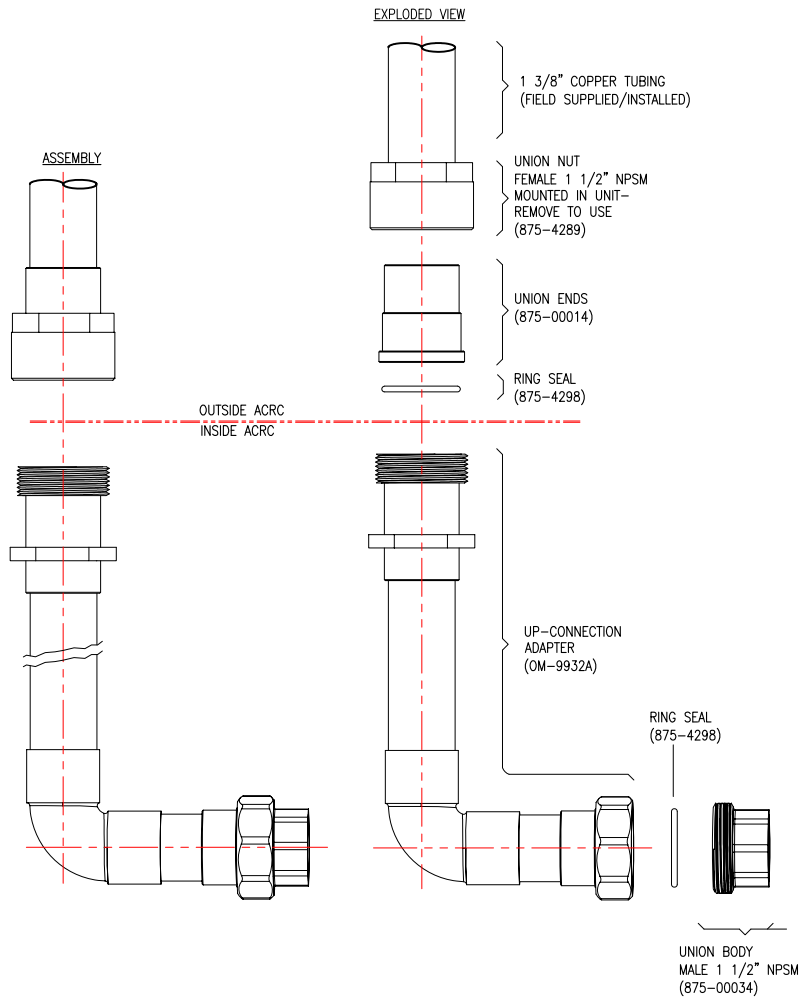
TITLE: InRow Chilled Water
InRow RC, 600mm, Chilled Water
ACRC600: 200-240V, 50/60Hz; ACRC601: 460-480V, 60Hz &
ACRC602: 380V-415V, 50Hz
DRAIN LINE AND CONDENSATE LINE

DWG NO:	ACRC600-601-602	REV:	0
DRAWN:	K.NAGENDRA	17-OCT-16	FIRST ANGLE PROJECTION
ENGINEER:	NICK SCHWEISSGUTH	17-OCT-16	
APPROVED:	NICK SCHWEISSGUTH	17-OCT-16	

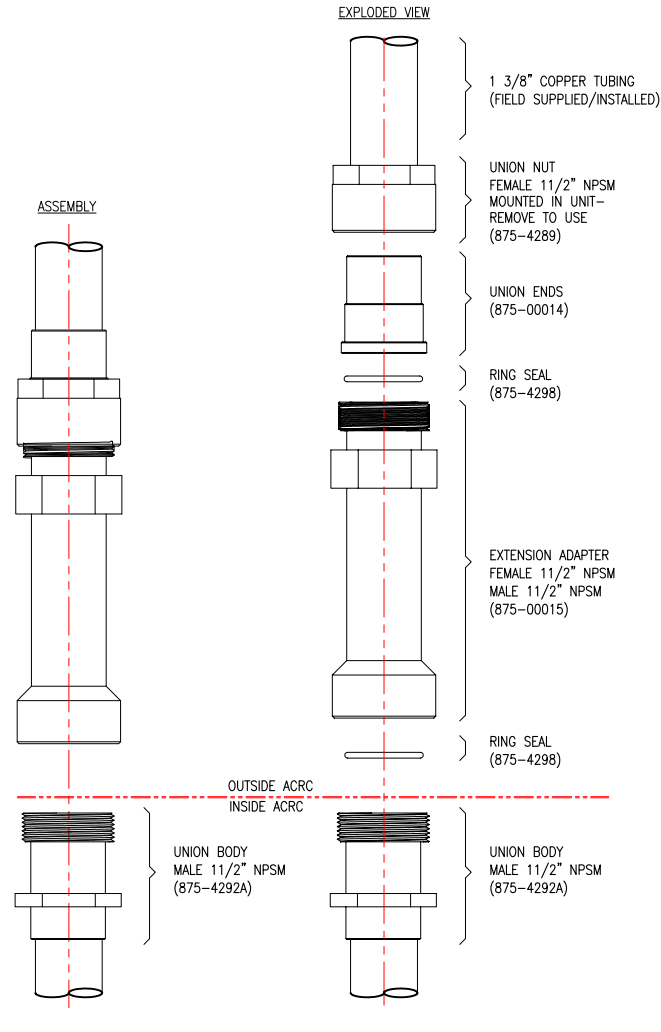
PROJECT: DRAWINGS SHEET 8 OF 12

TOP CONNECTIONS

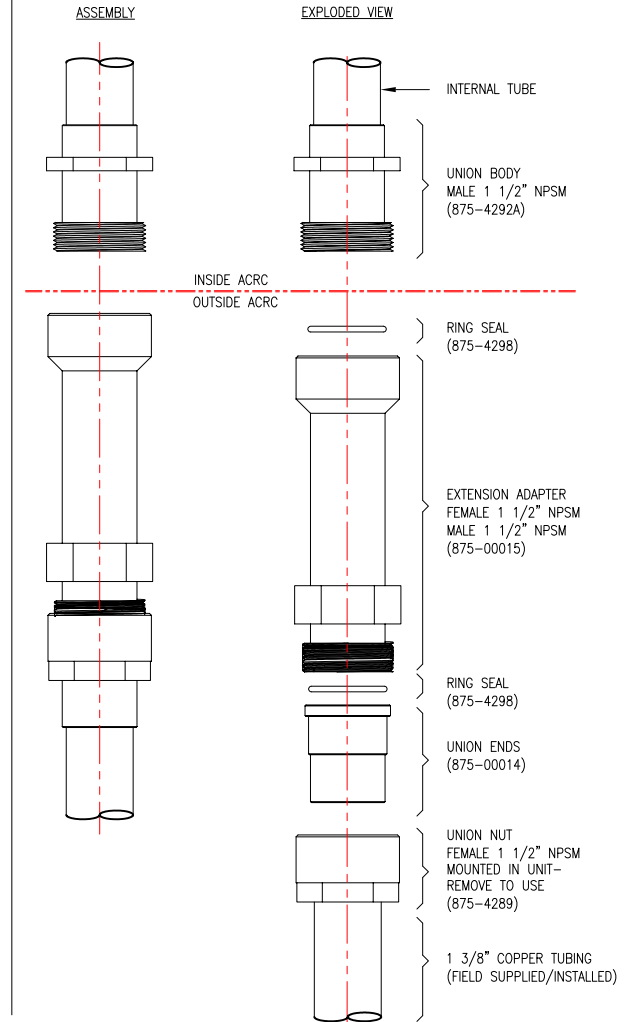
WATER SUPPLY



WATER RETURN



BOTTOM CONNECTIONS (WATER SUPPLY AND RETURN)



NOTES:

1. INSTALLATION SHALL COMPLY WITH ALL APPLICABLE NATIONAL, STATE AND LOCAL ELECTRICAL REGULATIONS.
2. REFER TO PRODUCT DOCUMENTATION FOR ADDITIONAL DETAILS PRIOR TO INSTALLATION AND SITE PREPARATION WORK.
3. IF RING SEAL IS DAMAGED, USE NEW RING SEAL SUPPLIED WITH UNIT.
4. RECOMMENDED TORQUE FOR UNION NUT IS 20Nm [14.75 LBS-Ft].
5. RECOMMENDED BRAZING ALLOY IS AWS A5.8 BCuP-5.

THIS DRAWING AND SPECIFICATIONS HEREIN ARE THE PROPERTY OF SCHNEIDER ELECTRIC AND SHALL NOT BE COPIED, REPRODUCED OR USED IN WHOLE OR IN PART, AS THE BASIS FOR THE MANUFACTURE OR SALE OF ITEMS WITHOUT WRITTEN PERMISSION FROM SCHNEIDER ELECTRIC. THIS DRAWING IS BASED UPON LATEST AVAILABLE INFORMATION AND IS SUBJECT TO CHANGE WITHOUT NOTICE.



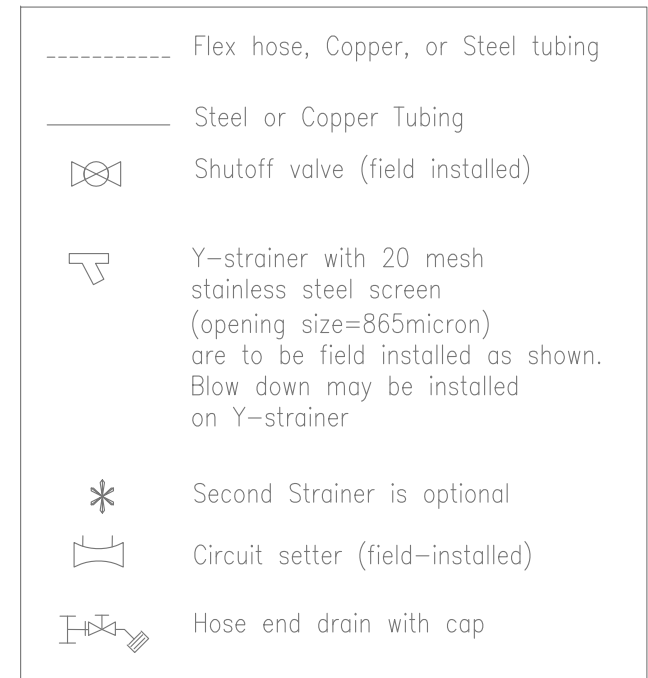
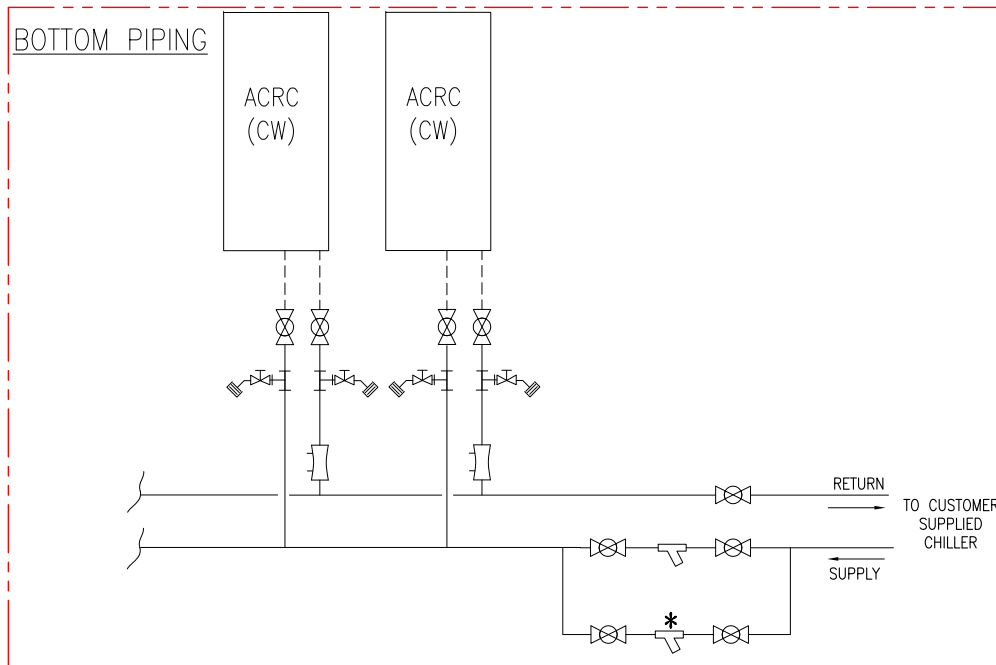
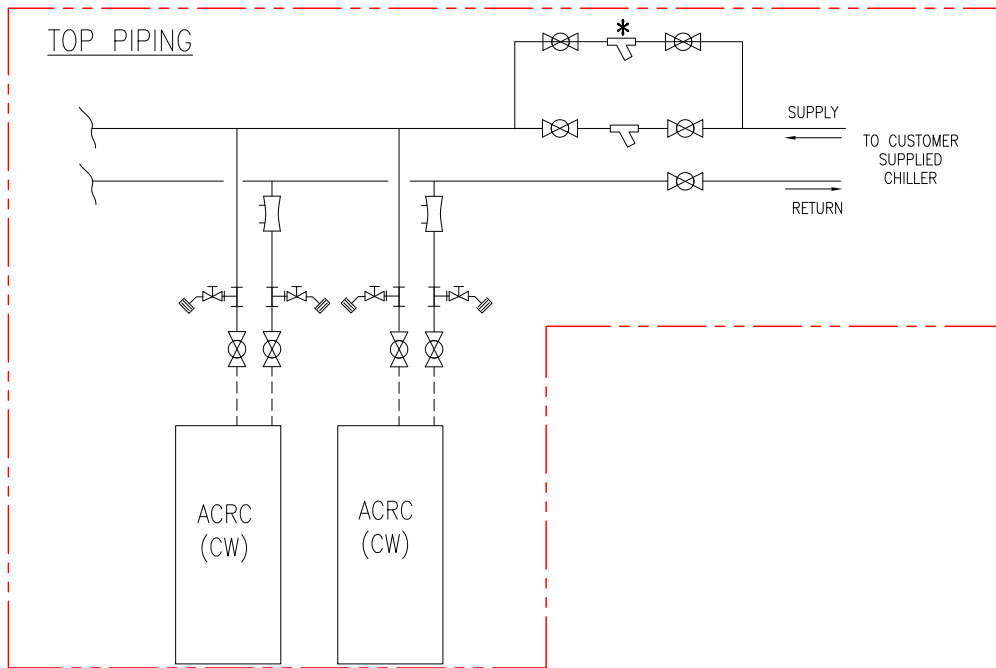
TITLE: InRow Chilled Water
InRow RC, 600mm, Chilled Water
ACRC600: 200-240V, 50/60Hz; ACRC601: 460-480V, 60Hz &
ACRC602: 380V-415V, 50Hz
TOP AND BOTTOM CONNECTIONS

DWG NO: ACRC600-601-602 REV. 0

DRAWN: K.NAGENDRA 17-OCT-16
ENGINEER: NICK SCHWEISSGUTH 17-OCT-16

PROJECT: DRAWINGS SHEET 9 OF 12

APPROVED: NICK SCHWEISSGUTH 17-OCT-16 FIRST ANGLE PROJECTION



NOTES:

1. INSTALLATION SHALL COMPLY WITH ALL APPLICABLE NATIONAL AND LOCAL ELECTRICAL REGULATIONS.
2. PLEASE REFER TO PRODUCT MANUALS FOR ADDITIONAL DETAILS PRIOR TO INSTALLATION AND SITE PREPARATION WORK.
3. ILLUSTRATIONS SHOWS PIPING PROVIDED BY OTHERS.

THIS DRAWING AND SPECIFICATIONS HEREIN ARE THE PROPERTY OF SCHNEIDER ELECTRIC AND SHALL NOT BE COPIED, REPRODUCED OR USED IN WHOLE OR IN PART, AS THE BASIS FOR THE MANUFACTURE OR SALE OF ITEMS WITHOUT WRITTEN PERMISSION FROM SCHNEIDER ELECTRIC. THIS DRAWING IS BASED UPON LATEST AVAILABLE INFORMATION AND IS SUBJECT TO CHANGE WITHOUT NOTICE.





TITLE: InRow Chilled Water
InRow RC,600mm, Chilled Water
ACRC600:200-240V, 50/60Hz; ACRC601:460-480V, 60Hz &
ACRC602: 380V-415V, 50Hz
PIPING DIAGRAM

DWG NO:	ACRC600-601-602	REV:	0
DRAWN:	K.NAGENDRA	17-OCT-16	FIRST ANGLE PROJECTION
ENGINEER:	NICK SCHWEISSGUTH	17-OCT-16	
APPROVED:	NICK SCHWEISSGUTH	17-OCT-16	

PROJECT: DRAWINGS SHEET 10 OF 12

CONNECTIONS OVERVIEW

ELECTRICAL DATA

SKU	VOLTAGE	FREQUENCY	MCA	MOP	FLA	Power (kW)	PLUG TYPE
ACRC600*	200–240V	50/60Hz	11	15	–	3.2	NEMA L21–20P  (TOP WIRED ONLY)
ACRC601	460–480V	60Hz	7	15	–	3.3	HARDWIRED
ACRC602*	380–415V	50Hz	N/A	N/A	6	3.0	IEC309 16A PLUG  (TOP WIRED ONLY)

NOTE: ABOVE DATA IS BASED ON MAXIMUM OPERATING CONDITIONS.
 NOTE: INSTALLATION SHALL COMPLY WITH ALL APPLICABLE NATIONAL, STATE AND LOCAL CODES.
 *NOTE: ACRC600 & ACRC602 HAS THE OPTION OF BEING HARDWIRED.

MCA – MINIMUM CIRCUIT AMPACITY
 MOP – MAXIMUM OVERCURRENT PROTECTION
 FLA – FULL LOAD AMPS
 RLA – RATED LOAD AMPS

PIPING CONNECTIONS

CONNECTION	TYPE	ACRC600/601
CHILLED WATER SUPPLY	UNION*	1 1/2" NPSM
CHILLED WATER RETURN	UNION*	1 1/2" NPSM
CONDENSATE DRAIN		1/2" FEMALE NPT OR 1/2" FEMALE BSPT

* IF THE RING SEAL IS DAMAGED, USE A NEW SEAL (SUPPLIED) TO PREVENT LEAKAGE.
 TORQUE UNION TO 20Nm [15 lb-ft].

NOTES:

- INSTALLATION SHALL COMPLY WITH ALL APPLICABLE NATIONAL AND LOCAL ELECTRICAL REGULATIONS.
- PLEASE REFER TO PRODUCT MANUALS FOR ADDITIONAL DETAILS PRIOR TO INSTALLATION AND SITE PREPARATION WORK.

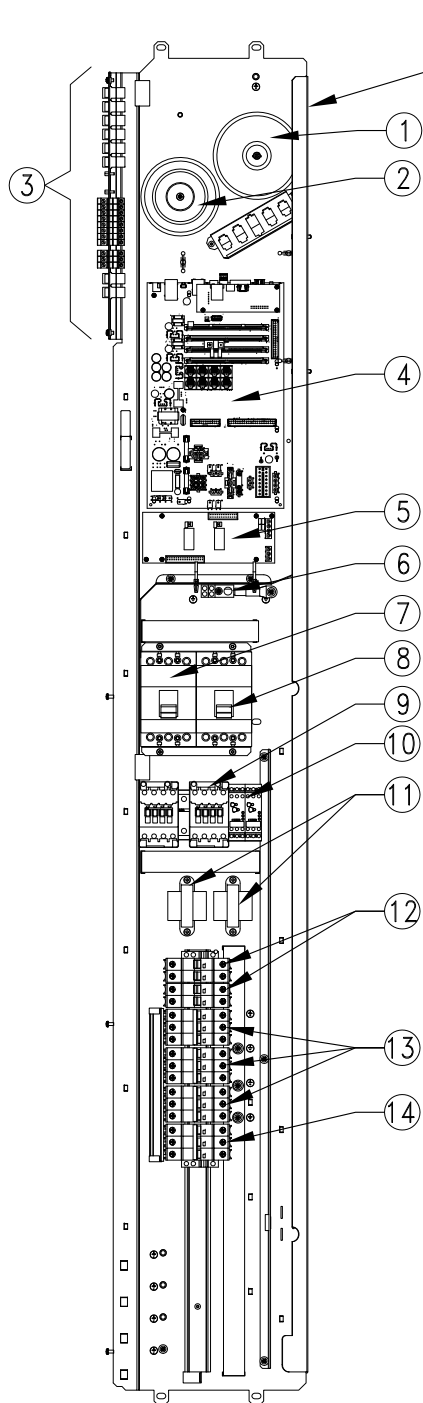
THIS DRAWING AND SPECIFICATIONS HEREIN ARE THE PROPERTY OF SCHNEIDER ELECTRIC AND SHALL NOT BE COPIED, REPRODUCED OR USED IN WHOLE OR IN PART, AS THE BASIS FOR THE MANUFACTURE OR SALE OF ITEMS WITHOUT WRITTEN PERMISSION FROM SCHNEIDER ELECTRIC. THIS DRAWING IS BASED UPON LATEST AVAILABLE INFORMATION AND IS SUBJECT TO CHANGE WITHOUT NOTICE.



TITLE: InRow Chilled Water
 InRow RC,600mm, Chilled Water
 ACRC600:200–240V, 50/60Hz; ACRC601:460–480V, 60Hz &
 ACRC602: 380V–415V, 50Hz
 CONNECTION OVERVIEW

PROJECT: DRAWINGS SHEET 11 OF 12

DWG NO:	ACRC600–601–602	REV.	0
DRAWN:	K.NAGENDRA	17–OCT–16	FIRST ANGLE PROJECTION
ENGINEER:	NICK SCHWEISSGUTH	17–OCT–16	
APPROVED:	NICK SCHWEISSGUTH	17–OCT–16	



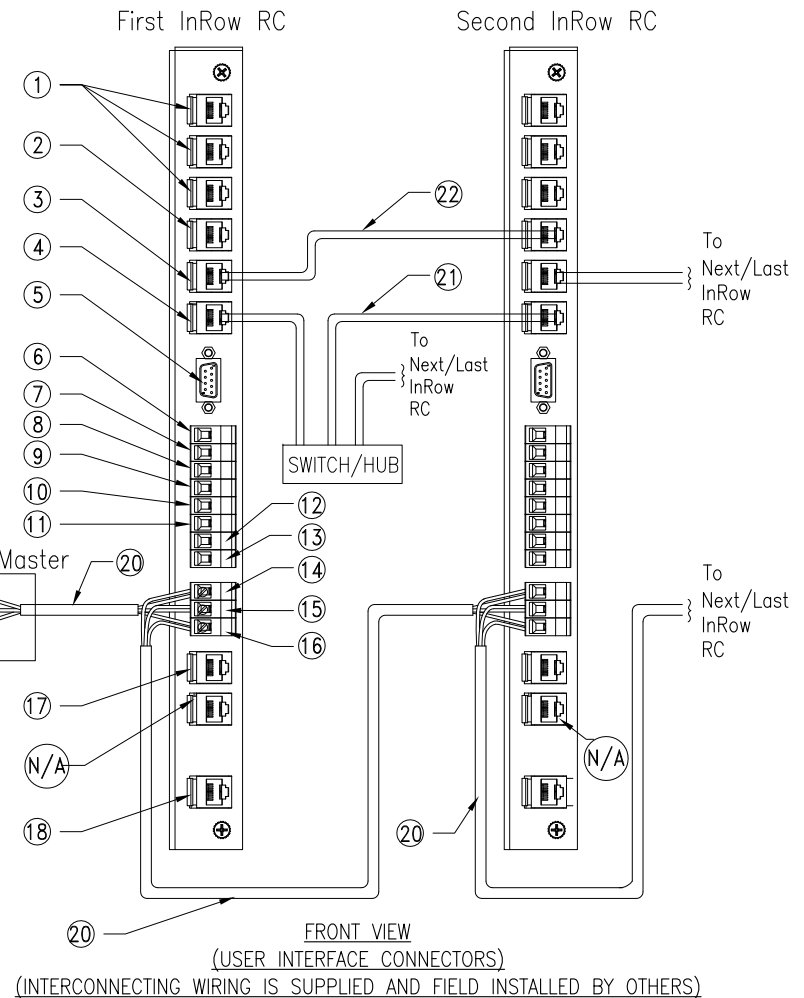
FRONT VIEW
(ELECTRICAL PANEL)

ELECTRICAL PANEL

1. TRANSFORMER (ONLY FOR ACRC601)
2. TRANSFORMER (FOR ACRC600 AND ACRC601)
3. USER INTERFACE CONNECTORS
4. MAIN CONTROLLER BOARD
5. RELAY BOARD
6. GROUND LUG
7. MAIN CIRCUIT BREAKER - POWER FEED A
8. MAIN CIRCUIT BREAKER - POWER FEED B
9. AUTOMATIC TRANSFER SWITCH (ATS) CONTACTORS
10. ATS TIMERS
11. ATS TRANSFORMER
(FOR ACRC601P & ACRC602P ONLY)
12. ATS TIMER CIRCUIT BREAKERS
13. FAN CIRCUIT BREAKERS
14. CONTROLLER CIRCUIT BREAKER

USER INTERFACE CONNECTORS

1. Rack Inlet temperature sensors 1,2,3
2. A-Link in (with provided RJ-45 terminator)
3. A-Link OUT (with provided RJ-45 terminator)
4. Network port
5. RS-232 Console port
6. Customer Output NC (Normally Closed)
7. Customer Output COM (Common)
8. Customer Output NO (Normally Open)
9. Supply GND
10. Supply 12 Vdc (current limit 20mA)
11. Supply 24 Vdc (current limit 20mA)
12. Customer Input + (12-30Vac/Vdc, 24Vdc@11mA)
13. Supply COM
14. Modbus D1 (RXTX+)
15. Modbus D0 (RXTX-)
16. Modbus GND
17. Supply air temperature sensor(front)
18. Display Interface
19. Terminator resistor (provided)
20. Modbus cable (RS-485)
21. LAN cable (10/100 Base-T)
22. CAT-5 ethernet cable
- N/A Not Applicable



FRONT VIEW
(USER INTERFACE CONNECTORS)
(INTERCONNECTING WIRING IS SUPPLIED AND FIELD INSTALLED BY OTHERS)

NOTES:

1. INSTALLATION SHALL COMPLY WITH ALL APPLICABLE NATIONAL AND LOCAL ELECTRICAL REGULATIONS.
2. PLEASE REFER TO PRODUCT MANUALS FOR ADDITIONAL DETAILS PRIOR TO INSTALLATION AND SITE PREPARATION WORK.

THIS DRAWING AND SPECIFICATIONS HEREIN ARE THE PROPERTY OF SCHNEIDER ELECTRIC AND SHALL NOT BE COPIED, REPRODUCED OR USED IN WHOLE OR IN PART, AS THE BASIS FOR THE MANUFACTURE OR SALE OF ITEMS WITHOUT WRITTEN PERMISSION FROM SCHNEIDER ELECTRIC. THIS DRAWING IS BASED UPON LATEST AVAILABLE INFORMATION AND IS SUBJECT TO CHANGE WITHOUT NOTICE.



TITLE: InRow Chilled Water
InRow RC,600mm, Chilled Water
ACRC600:200-240V, 50/60Hz; ACRC601:460-480V, 60Hz &
ACRC602: 380V-415V, 50Hz
ELECTRICAL PANEL AND USER INTERFACE
PROJECT: DRAWINGS SHEET 12 OF 12

DWG NO: ACRC600-601-602
DRAWN: K.NAGENDRA 17-OCT-16
ENGINEER: NICK SCHWEISSGUTH 17-OCT-16
APPROVED: NICK SCHWEISSGUTH 17-OCT-16

REV: 0
FIRST ANGLE PROJECTION