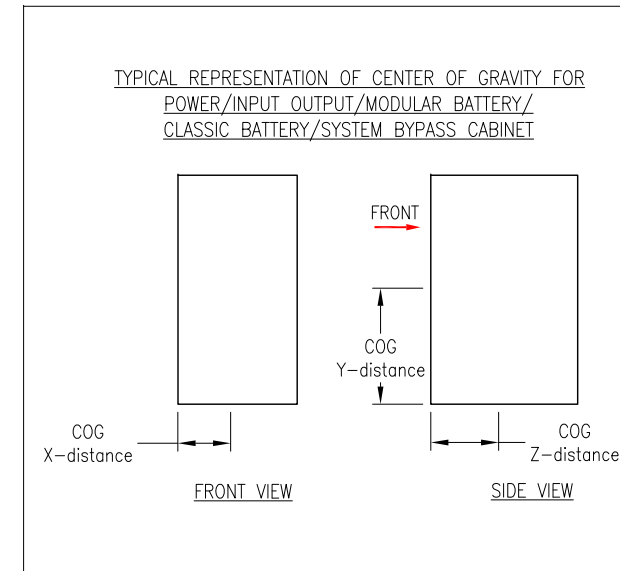


Applicable SKU Numbers	Cabinet	WEIGHT in lb/kg	CENTER OF GRAVITY		
			Center of Gravity in Inches [mm]		
			X-Distance	Y-Distance	Z-Distance
GVMSB160KG65S	Power Cabinet	1032 / 469	11.81 [300]	37.40 [950]	14.92 [379]
	I/O Cabinet	463 / 210	7.48 [190]	33.46 [850]	9.02 [229]
GVMSB180KG65S	Power Cabinet	1032 / 469	11.81 [300]	37.40 [950]	14.92 [379]
	I/O Cabinet	463 / 210	7.48 [190]	33.46 [850]	9.02 [229]
GVMSB225KG65S	Power Cabinet	1087 / 494	11.81[300]	37.40[950]	14.92[379]
	I/O Cabinet	463 / 210	7.48 [190]	33.46 [850]	9.02 [229]
GVMPB160KG65S	Power Cabinet	1032 / 469	11.81 [300]	37.40 [950]	14.92 [379]
	I/O Cabinet	463 / 210	7.48 [190]	33.46 [850]	9.02 [229]
GVMPB180KG65S	Power Cabinet	1032 / 469	11.81 [300]	37.40 [950]	14.92 [379]
	I/O Cabinet	463 / 210	7.48 [190]	33.46 [850]	9.02 [229]
GVMPB225KG65S	Power Cabinet	1087 / 494	11.81[300]	37.40[950]	14.92[379]
	I/O Cabinet	463 / 210	7.48 [190]	33.46 [850]	9.02 [229]
GVMRB160KG65S	Power Cabinet	1032 / 469	11.81 [300]	37.40 [950]	14.92 [379]
	I/O Cabinet	463 / 210	7.48 [190]	33.46 [850]	9.02 [229]
GVMRB180KG65S	Power Cabinet	1032 / 469	11.81 [300]	37.40 [950]	14.92 [379]
	I/O Cabinet	463 / 210	7.48 [190]	33.46 [850]	9.02 [229]
GVMRB225KG65S	Power Cabinet	1087 / 494	11.81[300]	37.40[950]	14.92[379]
	I/O Cabinet	463 / 210	7.48 [190]	33.46 [850]	9.02 [229]
Applicable SKU Numbers	Cabinet	WEIGHT in lb/kg	CENTER OF GRAVITY		
			Center of Gravity in Inches [mm]		
			X-Distance	Y-Distance	Z-Distance
GVMCBCWUE /		3995 / 1816	17.71 [450] (each cabinet)	39.37 [1000] (each cabinet)	15.75 [400] (each cabinet)
GVMCBC2WUE/		7997 / 3635			
GVMCBC2WUF/		6378 / 2899			
GVMCBC3WUF		9579 / 4354			
GVMSBC450KG/		1069 / 485	29.65 [753]	35.83 [910]	11.61 [295]
GVMSBC675KG		1113 / 505	29.65 [753]	36.53 [905]	12.01 [305]
GVMSBCLB675KG		1290 / 585	38.39 [975]	35.43 [900]	12.01 [305]
Applicable SKU Numbers	Cabinet	WEIGHT in lb/kg	CENTER OF GRAVITY		
			Center of Gravity in Inches [mm]		
			X-Distance	Y-Distance	Z-Distance
GVMMODBCN		306 / 139	7.24 [184]	39.37 [1000]	15.75 [400]
GVMMODBCW		462 / 210	13.74 [349]	39.37 [1000]	15.75 [400]
GVMMBTU		66 / 30			



4 1 STRING = (4)GVMMBTU

NOTES:

1. INSTALLATION SHALL COMPLY WITH ALL APPLICABLE NATIONAL, STATE AND LOCAL CODES.
2. REFER TO PRODUCT DOCUMENTATION FOR ADDITIONAL DETAILS PRIOR TO INSTALLATION AND SITE PREPARATION WORK.
3. ALL DIMENSIONS ARE IN INCHES [MILLIMETERS].

4. FOR NUMBER OF STRINGS CORRESPONDING TO VARIOUS RUNTIMES REFER TO SUBMITTAL DRAWINGS GVMMODBCW / GVMMODBCN.

5. THIS INFORMATION PROVIDES CONSERVATIVE CENTER OF GRAVITY CALCULATION.

THIS DRAWING AND SPECIFICATIONS HEREIN ARE THE PROPERTY OF SCHNEIDER ELECTRIC AND SHALL NOT BE COPIED, REPRODUCED OR USED IN WHOLE OR IN PART, AS THE BASIS FOR THE MANUFACTURE OR SALE OF ITEMS WITHOUT WRITTEN PERMISSION FROM SCHNEIDER ELECTRIC. THIS DRAWING IS BASED UPON LATEST AVAILABLE INFORMATION AND IS SUBJECT TO CHANGE WITHOUT NOTICE.



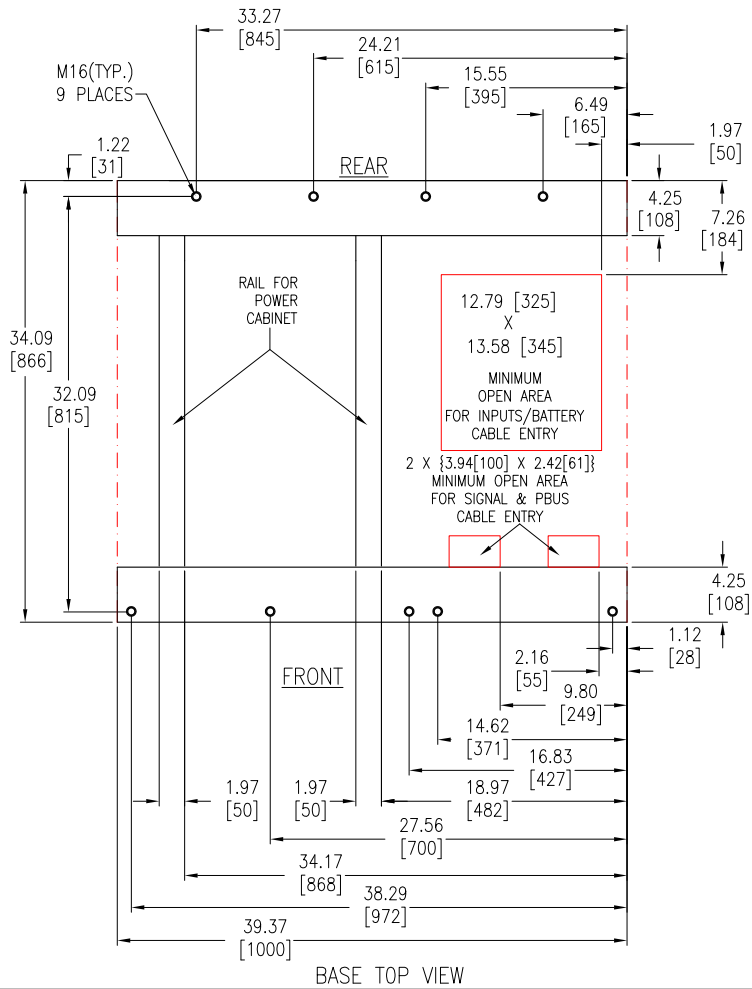
TITLE: Galaxy VM 65kAIC PRODUCTS TYPICAL INSTALLATION DETAILS FOR RAISED FLOOR APPLICATION WEIGHT AND CENTER OF GRAVITY DATA

PROJECT: DRAWINGS SHEET 1 OF 6

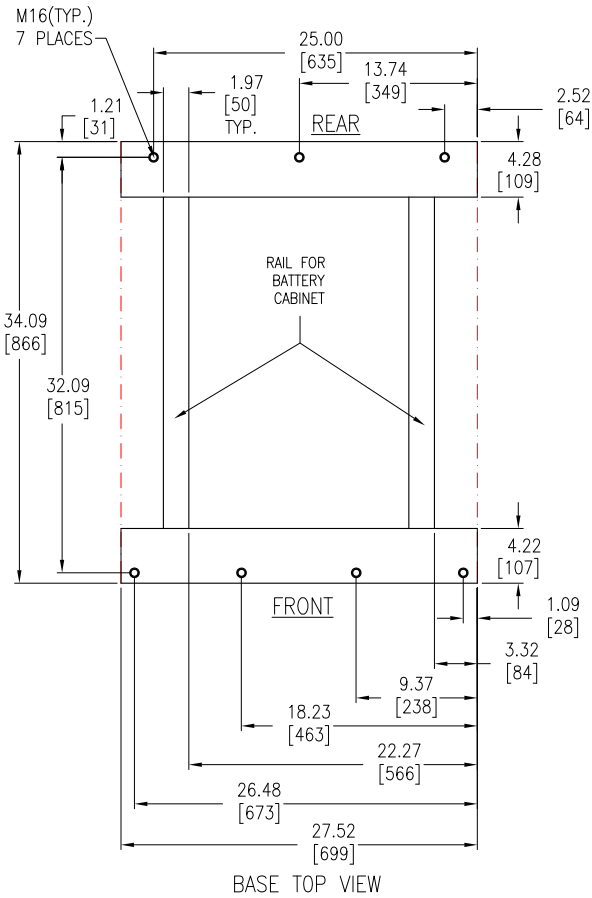
DWG NO: GVM65KANCHORING-RF REV. 0

DRAWN BY: BALAMURUGAN/KN	15-JUN-15	THIRD
ENGINEER: C ANDERSEN/Z WILLIAM	15-JUN-15	ANGLE
APPROVED BY: M DESHPANDE	15-JUN-15	PROJECTION

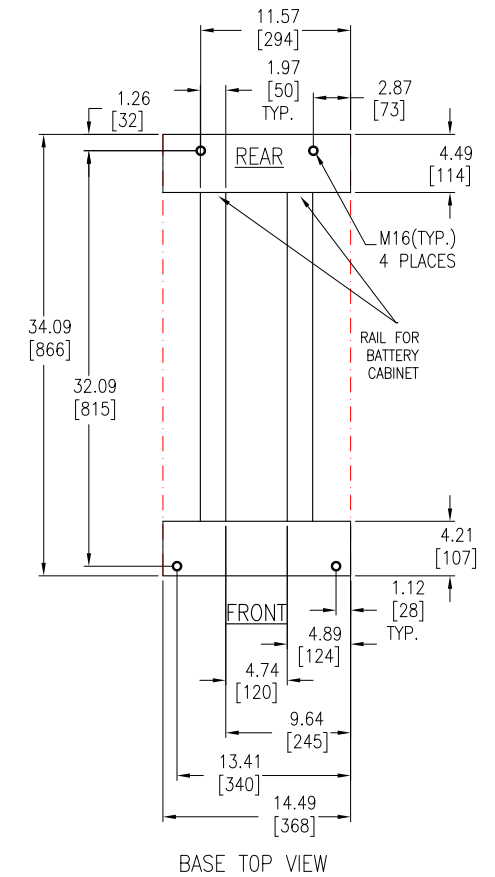
TYPICAL RAISED FLOOR FRAME DETAILS FOR
 SKUs: GVMSB180KG65S/GVMPB180KG65S/GVMRB180KG65S/
 GVMSB225KG65S/GVMPB225KG65S/GVMRB225KG65S



TYPICAL RAISED FLOOR FRAME DETAILS FOR
 SKU :GVMMODBCW



TYPICAL RAISED FLOOR FRAME DETAILS FOR
 SKU: GVMMODBCN



NOTES:

1. INSTALLATION SHALL COMPLY WITH ALL APPLICABLE NATIONAL, STATE AND LOCAL CODES.
2. REFER TO PRODUCT DOCUMENTATION FOR ADDITIONAL DETAILS PRIOR TO INSTALLATION AND SITE PREPARATION WORK.
3. ALL DIMENSIONS ARE IN INCHES [MILLIMETERS].
4. RAISED FLOOR FRAME/RAIL SHOWN IN THIS DRAWING IS TYPICAL.
5. ANCHORING BOLTS ARE NOT PROVIDED.

THIS DRAWING AND SPECIFICATIONS HEREIN ARE THE PROPERTY OF SCHNEIDER ELECTRIC AND SHALL NOT BE COPIED, REPRODUCED OR USED IN WHOLE OR IN PART, AS THE BASIS FOR THE MANUFACTURE OR SALE OF ITEMS WITHOUT WRITTEN PERMISSION FROM SCHNEIDER ELECTRIC. THIS DRAWING IS BASED UPON LATEST AVAILABLE INFORMATION AND IS SUBJECT TO CHANGE WITHOUT NOTICE.



TITLE: Galaxy VM 65kAIC
 PRODUCTS TYPICAL INSTALLATION DETAILS
 FOR RAISED FLOOR APPLICATION
 UPS AND MODULAR BATTERY CABINETS

PROJECT: DRAWINGS SHEET 2 OF 6

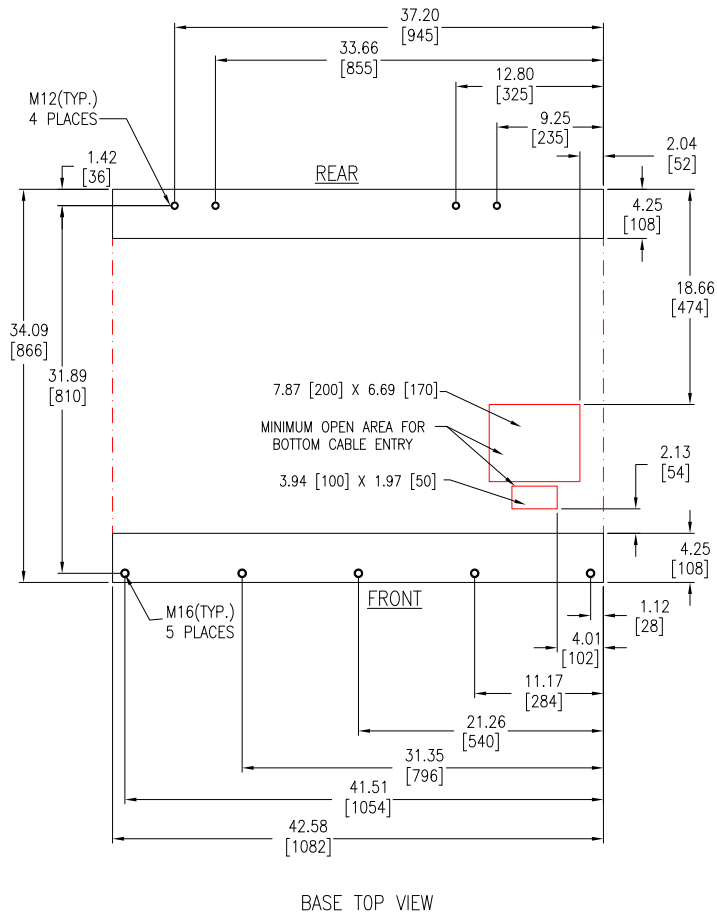
DWG NO: GVM65KANCHORING-RF REV. 0

DRAWN BY: BALAMURUGAN/KN 15-JUN-15 THIRD

ENGINEER: C ANDERSEN/Z WILLIAM 15-JUN-15 ANGLE

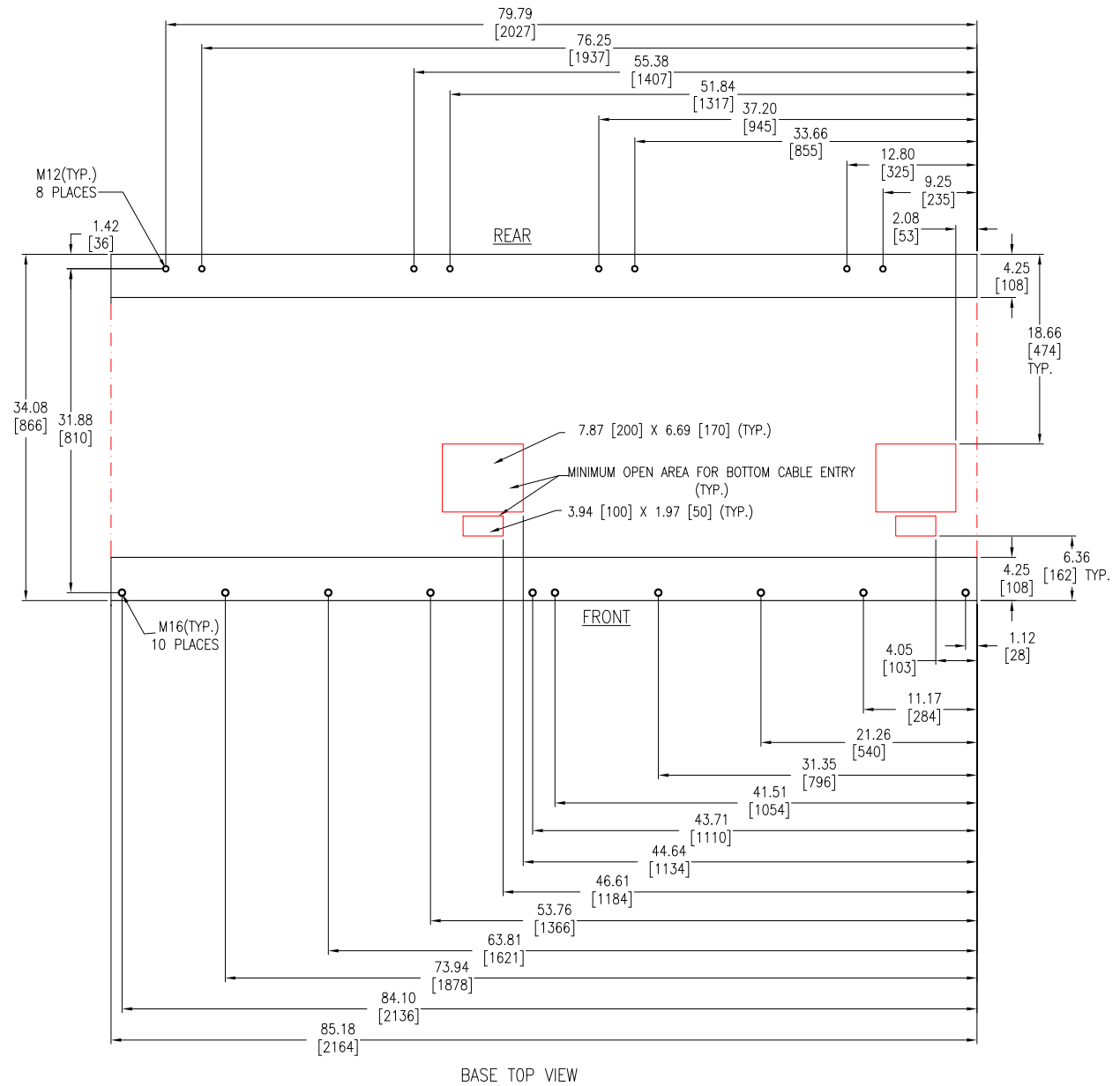
APPROVED BY: M DESHPANDE 15-JUN-15 PROJECTION

TYPICAL RAISED FLOOR FRAME DETAILS FOR
SKU : GVMCBCWUE



BASE TOP VIEW

TYPICAL RAISED FLOOR FRAME DETAILS FOR
SKU: GVMCBC2WUE /GVMCBC2WUF



BASE TOP VIEW

NOTES:

1. INSTALLATION SHALL COMPLY WITH ALL APPLICABLE NATIONAL, STATE AND LOCAL CODES.
2. REFER TO PRODUCT DOCUMENTATION FOR ADDITIONAL DETAILS PRIOR TO INSTALLATION AND SITE PREPARATION WORK.
3. ALL DIMENSIONS ARE IN INCHES [MILLIMETERS].
4. RAISED FLOOR FRAME SHOWN IN THIS DRAWING IS TYPICAL.
5. ANCHORING BOLTS ARE NOT SUPPLIED.

THIS DRAWING AND SPECIFICATIONS HEREIN ARE THE PROPERTY OF SCHNEIDER ELECTRIC AND SHALL NOT BE COPIED, REPRODUCED OR USED IN WHOLE OR IN PART, AS THE BASIS FOR THE MANUFACTURE OR SALE OF ITEMS WITHOUT WRITTEN PERMISSION FROM SCHNEIDER ELECTRIC. THIS DRAWING IS BASED UPON LATEST AVAILABLE INFORMATION AND IS SUBJECT TO CHANGE WITHOUT NOTICE.



TITLE: Galaxy VM 65kAIC
PRODUCTS TYPICAL INSTALLATION DETAILS
FOR RAISED FLOOR APPLICATION
CLASSIC BATTERY CABINETS

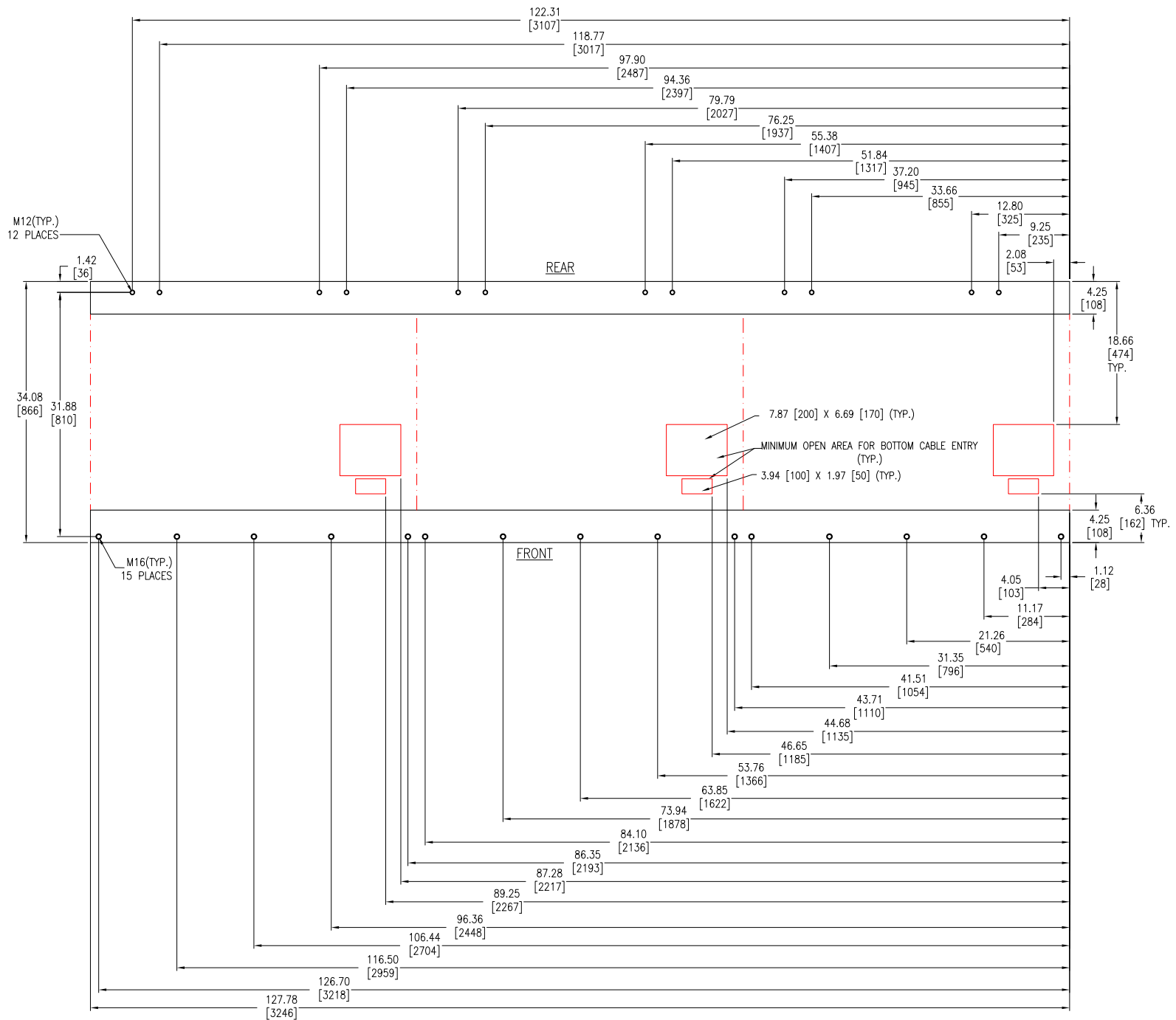
PROJECT: DRAWINGS SHEET 3 OF 6

DWG NO: GVM65KANCHORING-RF REV. 0

DRAWN BY: BALAMURUGAN/KN 15-JUN-15 THIRD

ENGINEER: C ANDERSEN/Z WILLIAM 15-JUN-15 ANGLE

APPROVED BY: M DESHPANDE 15-JUN-15 PROJECTION



BASE TOP VIEW

NOTES:

1. INSTALLATION SHALL COMPLY WITH ALL APPLICABLE NATIONAL, STATE AND LOCAL CODES.
2. REFER TO PRODUCT DOCUMENTATION FOR ADDITIONAL DETAILS PRIOR TO INSTALLATION AND SITE PREPARATION WORK.
3. ALL DIMENSIONS ARE IN INCHES [MILLIMETERS].
4. RAISED FLOOR FRAME SHOWN IN THIS DRAWING IS TYPICAL.
5. ANCHORING BOLTS ARE NOT SUPPLIED.

THIS DRAWING AND SPECIFICATIONS HEREIN ARE THE PROPERTY OF SCHNEIDER ELECTRIC AND SHALL NOT BE COPIED, REPRODUCED OR USED IN WHOLE OR IN PART, AS THE BASIS FOR THE MANUFACTURE OR SALE OF ITEMS WITHOUT WRITTEN PERMISSION FROM SCHNEIDER ELECTRIC. THIS DRAWING IS BASED UPON LATEST AVAILABLE INFORMATION AND IS SUBJECT TO CHANGE WITHOUT NOTICE.



TITLE: Galaxy VM 65kAIC
PRODUCTS TYPICAL INSTALLATION DETAILS
FOR RAISED FLOOR APPLICATION
CLASSIC BATTERY CABINET

PROJECT: DRAWINGS **SHEET** 4 OF 6

DWG NO: GVM65KANCHORING-RF

DRAWN BY: BALAMURUGAN/KN 15-JUN-15

ENGINEER: C ANDERSEN/Z WILLIAM 15-JUN-15

APPROVED BY: M DESHPANDE 15-JUN-15

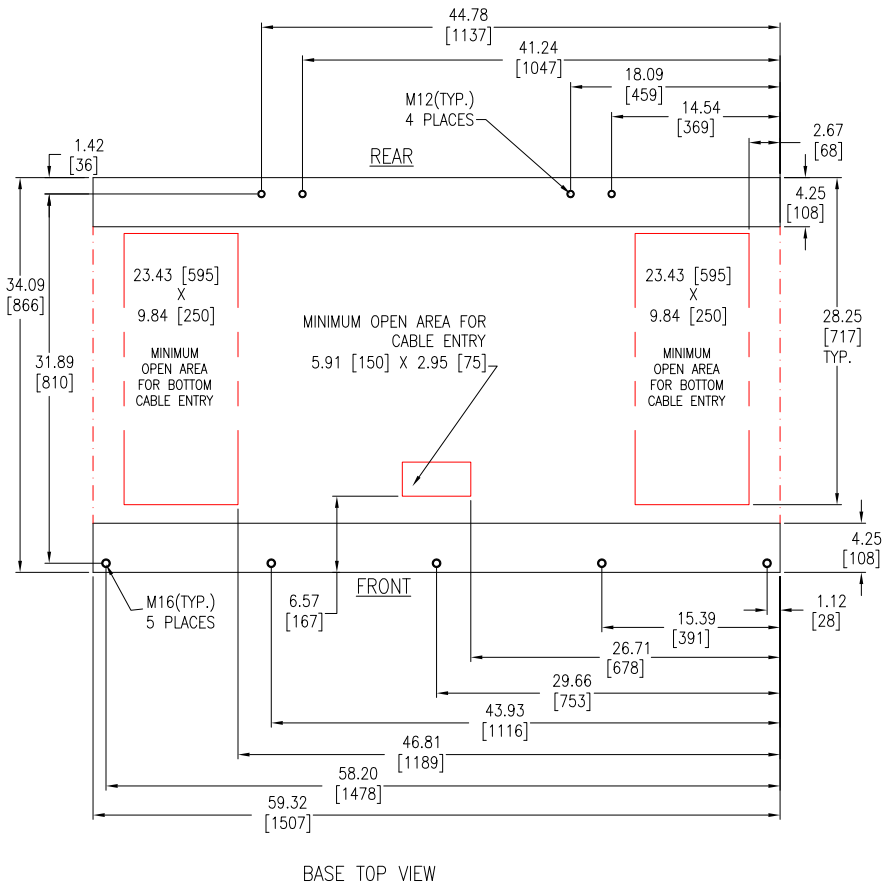
REV. 0

THIRD

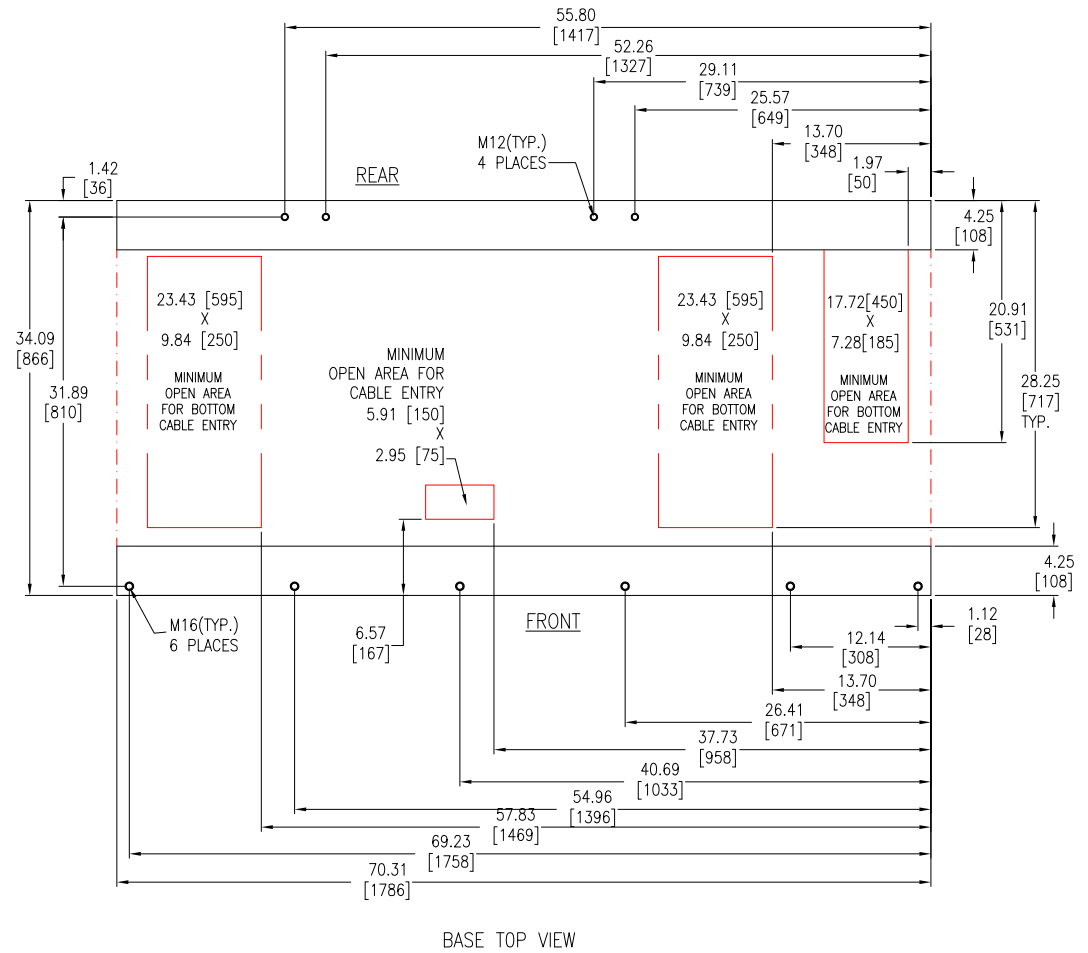
ANGLE

PROJECTION

TYPICAL RAISED FLOOR FRAME DETAILS FOR
SKUs: GVMSBC450KG /GVMSBC675KG



TYPICAL RAISED FLOOR FRAME DETAILS FOR SKU: GVMSBCLB675KG



NOTES:

1. INSTALLATION SHALL COMPLY WITH ALL APPLICABLE NATIONAL, STATE AND LOCAL CODES.
2. REFER TO PRODUCT DOCUMENTATION FOR ADDITIONAL DETAILS PRIOR TO INSTALLATION AND SITE PREPARATION WORK.
3. ALL DIMENSIONS ARE IN INCHES [MILLIMETERS].
4. RAISED FLOOR FRAME SHOWN IN THIS DRAWING IS TYPICAL.
5. ANCHORING BOLTS ARE NOT SUPPLIED.

THIS DRAWING AND SPECIFICATIONS HEREIN ARE THE PROPERTY OF SCHNEIDER ELECTRIC AND SHALL NOT BE COPIED, REPRODUCED OR USED IN WHOLE OR IN PART, AS THE BASIS FOR THE MANUFACTURE OR SALE OF ITEMS WITHOUT WRITTEN PERMISSION FROM SCHNEIDER ELECTRIC. THIS DRAWING IS BASED UPON LATEST AVAILABLE INFORMATION AND IS SUBJECT TO CHANGE WITHOUT NOTICE.

Schneider Electric

TITLE: Galaxy VM 65kAIC PRODUCTS TYPICAL INSTALLATION DETAILS FOR RAISED FLOOR APPLICATION SYSTEM BYPASS CABINETS

PROJECT: DRAWINGS SHEET 5 OF 6

DWG NO: GVM65KANCHORING-RF

DRAWN BY: BALAMURUGAN/KN 15-JUN-15

ENGINEER: C ANDERSEN/Z WILLIAM 15-JUN-15

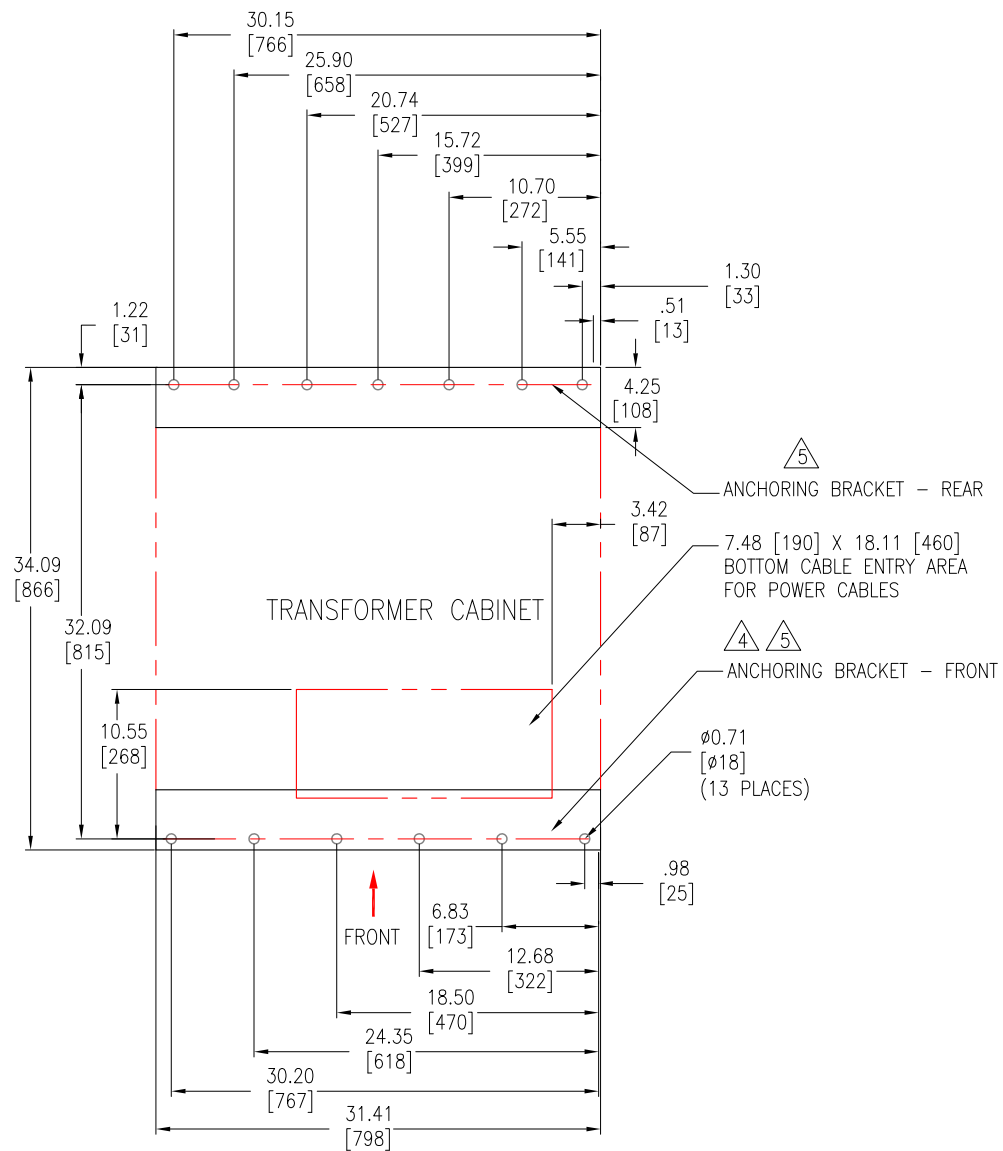
APPROVED BY: M DESHPANDE 15-JUN-15

REV. 0

THIRD

ANGLE

PROJECTION



TOP VIEW
MOUNTING HOLE LOCATIONS
FOR ANCHORING BRACKETS

NOTES:

1. INSTALLATION SHALL COMPLY WITH ALL APPLICABLE NATIONAL, STATE AND LOCAL CODES.
2. REFER TO PRODUCT DOCUMENTATION FOR ADDITIONAL DETAILS PRIOR TO INSTALLATION AND SITE PREPARATION WORK.
3. ALL DIMENSIONS ARE IN INCHES [MILLIMETERS].
4. RAISED FLOOR FRAME SHOWN IN THIS DRAWING IS TYPICAL.
5. ANCHORING BOLTS ARE NOT SUPPLIED.

THIS DRAWING AND SPECIFICATIONS HEREIN ARE THE PROPERTY OF SCHNEIDER ELECTRIC AND SHALL NOT BE COPIED, REPRODUCED OR USED IN WHOLE OR IN PART, AS THE BASIS FOR THE MANUFACTURE OR SALE OF ITEMS WITHOUT WRITTEN PERMISSION FROM SCHNEIDER ELECTRIC. THIS DRAWING IS BASED UPON LATEST AVAILABLE INFORMATION AND IS SUBJECT TO CHANGE WITHOUT NOTICE.



TITLE: Galaxy VM 65kAIC
PRODUCTS TYPICAL INSTALLATION DETAILS
FOR RAISED FLOOR APPLICATION
SYSTEM BYPASS CABINETS

PROJECT: DRAWINGS SHEET 6 OF 6

DWG NO:	GVM65KANCHORING-RF	REV.	0
DRAWN BY:	BALAMURUGAN/KN	15-JUN-15	THIRD
ENGINEER:	C ANDERSEN/Z WILLIAM	15-JUN-15	ANGLE
APPROVED BY:	M DESHPANDE	15-JUN-15	PROJECTION