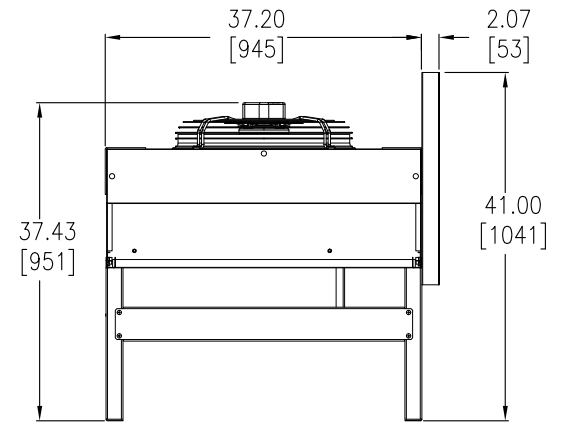
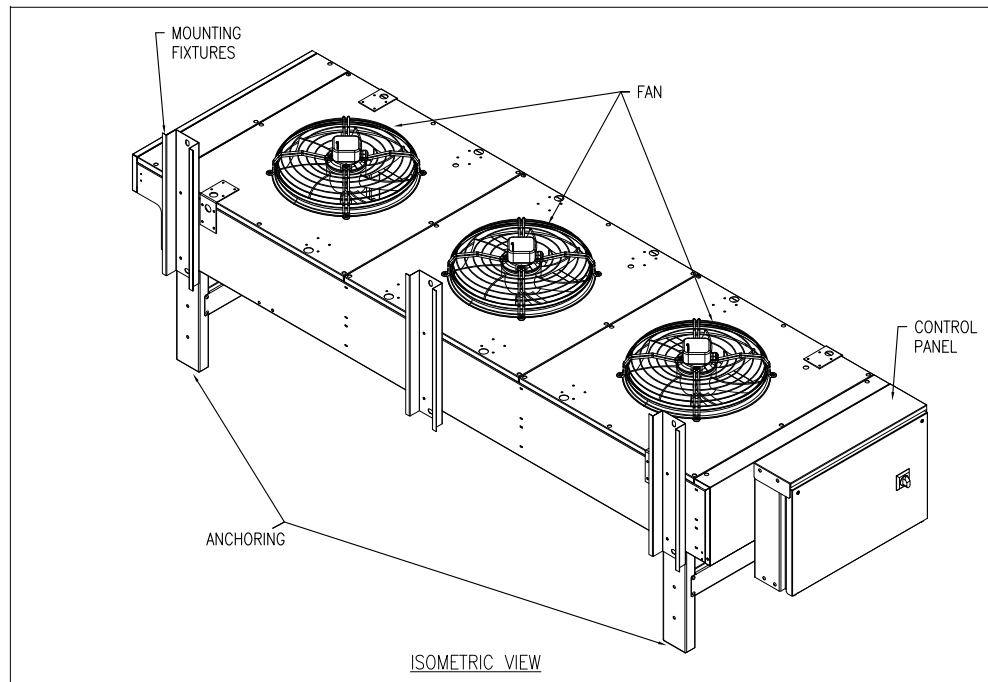


FRONT VIEW



RIGHT SIDE VIEW



ISOMETRIC VIEW

- NOTES:
1. INSTALLATION SHALL COMPLY WITH ALL APPLICABLE NATIONAL, STATE AND LOCAL CODES.
 2. PLEASE REFER TO PRODUCT MANUALS PRIOR TO INSTALLATION AND SITE PREPARATION WORK FOR FURTHER DETAILS..
 3. ALL DIMENSIONS ARE IN INCHES [MILLIMETERS].
 4. WEIGHT OF THE UNIT :

SKU#	Weight	
	Lbs	kg
ACFC75273	579	263

THIS DRAWING AND SPECIFICATIONS HEREIN ARE THE PROPERTY OF SCHNEIDER ELECTRIC AND SHALL NOT BE COPIED, REPRODUCED OR USED IN WHOLE OR IN PART, AS THE BASIS FOR THE MANUFACTURE OR SALE OF ITEMS WITHOUT WRITTEN PERMISSION FROM SCHNEIDER ELECTRIC. THIS DRAWING IS BASED UPON LATEST AVAILABLE INFORMATION AND IS SUBJECT TO CHANGE WITHOUT NOTICE.



TITLE: COOLING SOLUTIONS
UNIFLAI-DX, CONDENSERS
71kW, 460-480V, 3Ph, 60Hz
110F/120F
MAIN MECHANICAL

PROJECT: DRAWINGS SHEET 1 OF 5

DWG NO: ACFC75273

DRAWN BY: K.NAGENDRA 29-SEP-12

ENGINEER: K.BAER 29-SEP-12

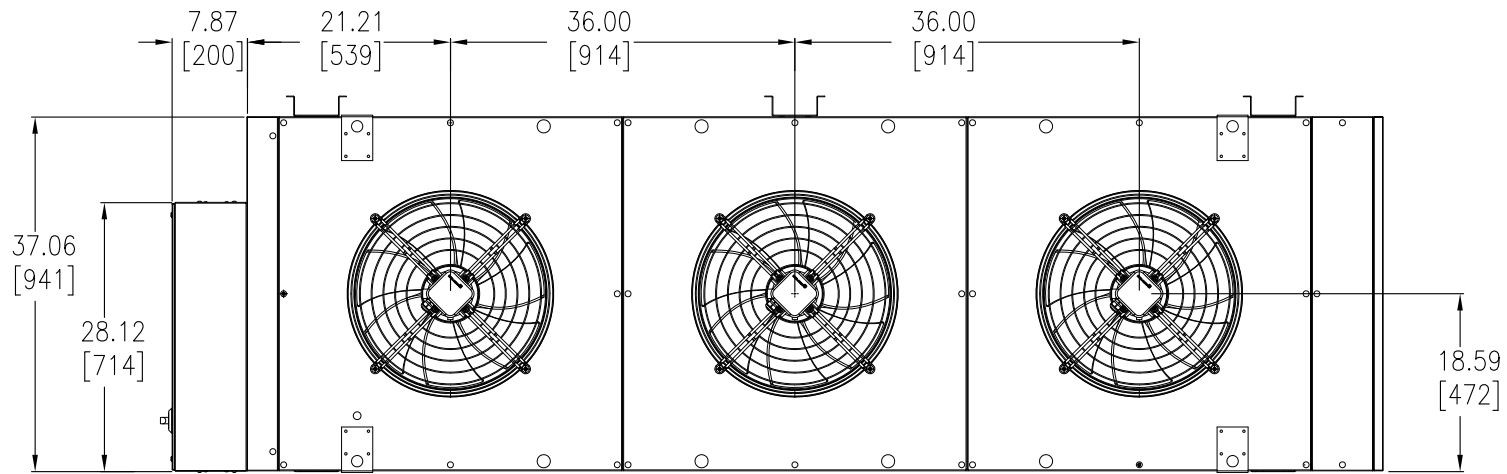
APPROVED BY: C.CUMMISKEY 29-SEP-12

REV. 0

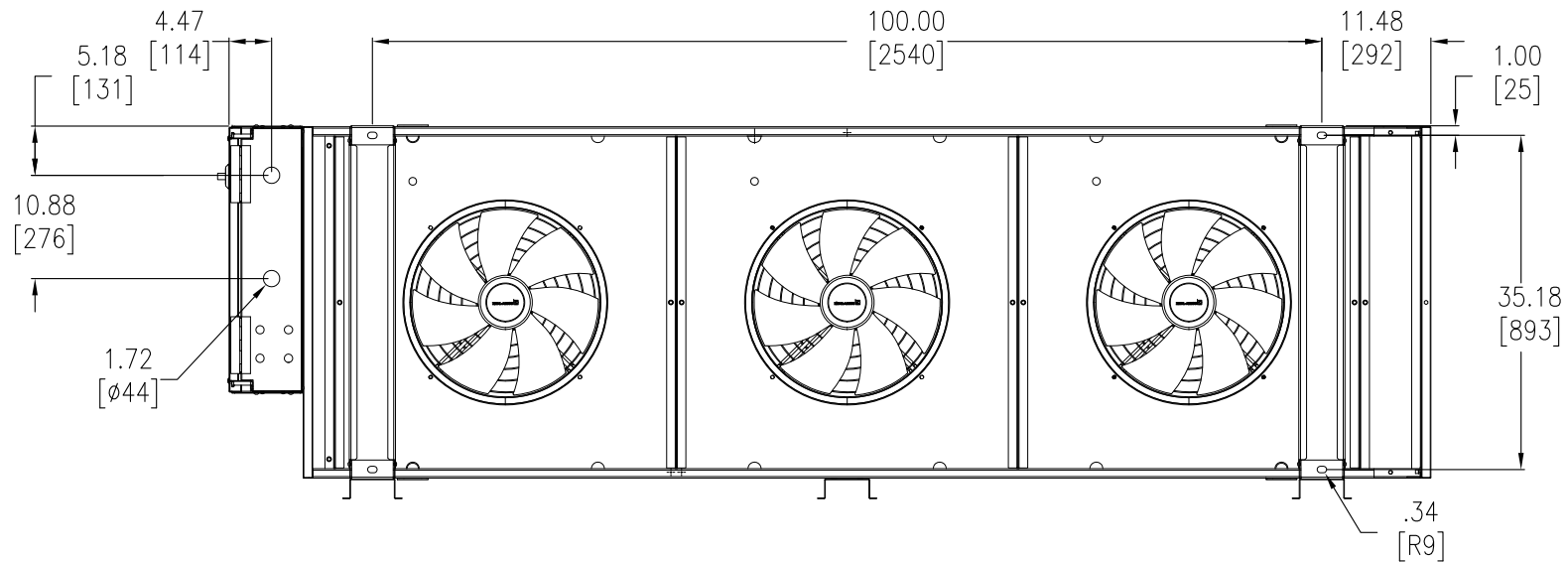
THIRD

ANGLE

PROJECTION



TOP VIEW



BOTTOM VIEW (ANCHORING)

NOTES:

1. INSTALLATION SHALL COMPLY WITH ALL APPLICABLE NATIONAL, STATE AND LOCAL CODES.
2. PLEASE REFER TO PRODUCT MANUALS PRIOR TO INSTALLATION AND SITE PREPARATION WORK FOR FURTHER DETAILS.
3. ALL DIMENSIONS ARE IN INCHES [MILLIMETERS].
4. SOME STRUCTURAL DETAILS HAVE BEEN OMITTED FOR THE PURPOSE OF CLARITY.

THIS DRAWING AND SPECIFICATIONS HEREIN ARE THE PROPERTY OF SCHNEIDER ELECTRIC AND SHALL NOT BE COPIED, REPRODUCED OR USED IN WHOLE OR IN PART, AS THE BASIS FOR THE MANUFACTURE OR SALE OF ITEMS WITHOUT WRITTEN PERMISSION FROM SCHNEIDER ELECTRIC. THIS DRAWING IS BASED UPON LATEST AVAILABLE INFORMATION AND IS SUBJECT TO CHANGE WITHOUT NOTICE.



TITLE: COOLING SOLUTIONS
UNIFLAI-DX, CONDENSERS
71kW, 460-480V, 3Ph, 60Hz
110F/120F
TOP AND BOTTOM VIEW (ANCHORING)

PROJECT: DRAWINGS SHEET 2 OF 5

DWG NO: ACFC75273

DRAWN BY: K.NAGENDRA 29-SEP-12

ENGINEER: K.BAER 29-SEP-12

APPROVED BY: C.CUMMISKEY 29-SEP-12

REV. 0

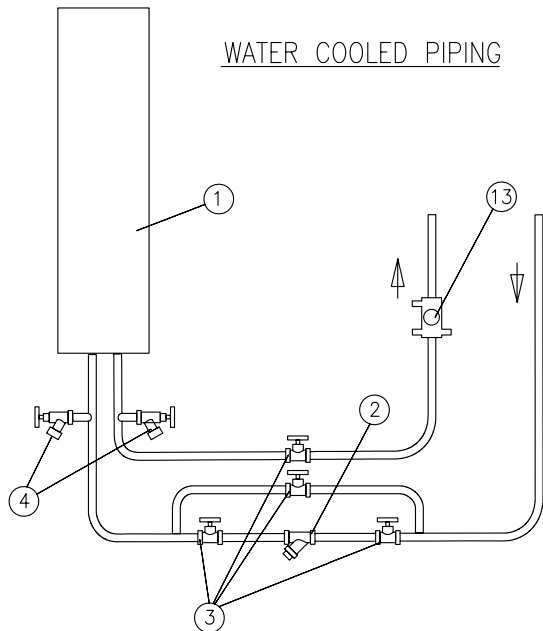
THIRD

ANGLE

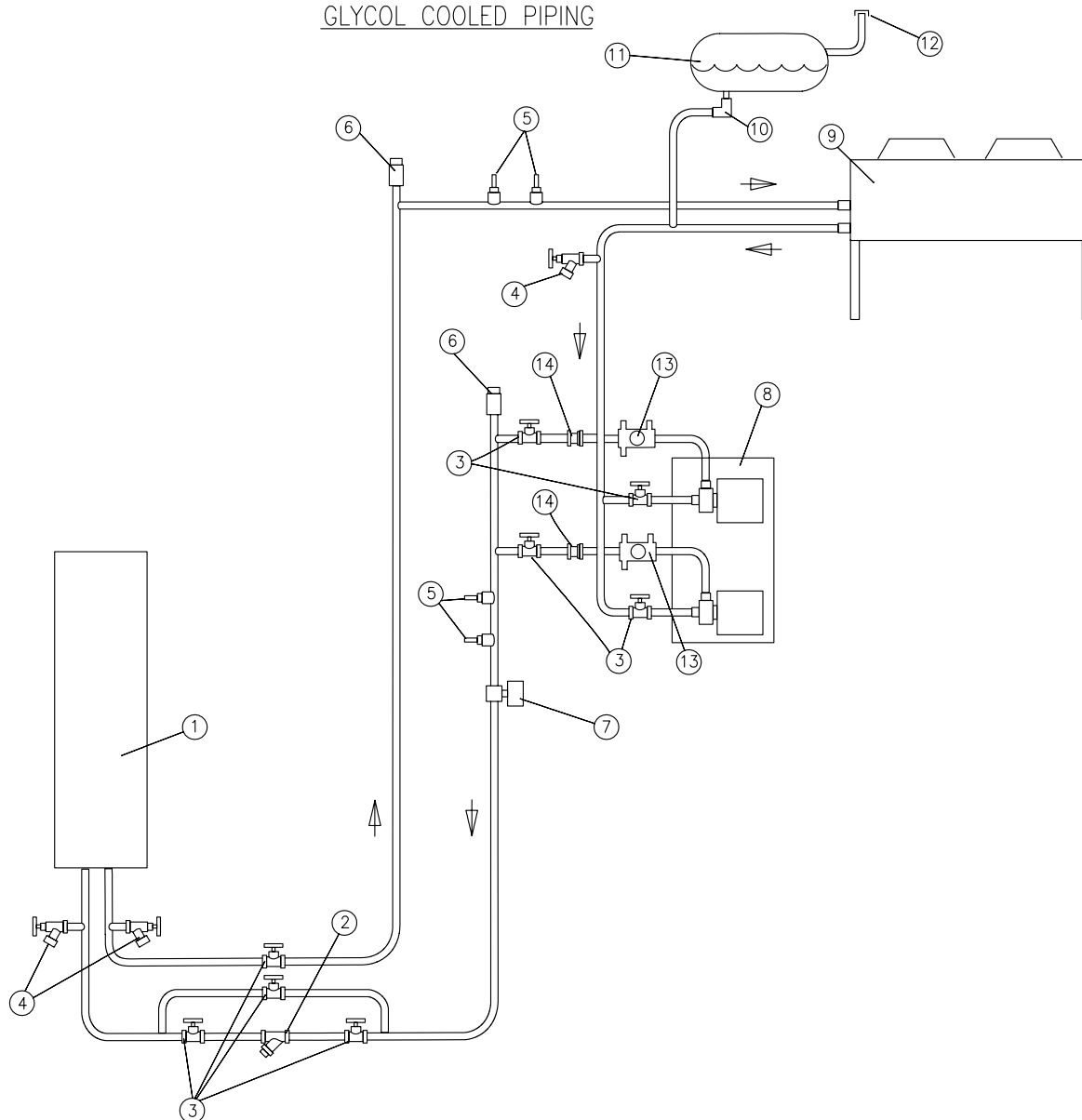
PROJECTION

BOTTOM PIPING SHOWN

WATER COOLED PIPING



GLYCOL COOLED PIPING



- ① Uniflair-DX
- ② Strainer*
- ③ Gate Valve*
- ④ Hose bib*
- ⑤ Temperature & Pressure gauges*
- ⑥ Air vent*
- ⑦ Flow switch*
- ⑧ Pump package**
- ⑨ Fluid-cooler
- ⑩ Airtrol fitting*
- ⑪ Expansion Tank*
- ⑫ Tank fill*
- ⑬ Circuit Setter*
- ⑭ Check Valve*

*Field supplied and installed
 **Can be procured from Schneider electric or field supplied-Both are field installed.

THIS DRAWING AND SPECIFICATIONS HEREIN ARE THE PROPERTY OF SCHNEIDER ELECTRIC AND SHALL NOT BE COPIED, REPRODUCED OR USED IN WHOLE OR IN PART, AS THE BASIS FOR THE MANUFACTURE OR SALE OF ITEMS WITHOUT WRITTEN PERMISSION FROM SCHNEIDER ELECTRIC. THIS DRAWING IS BASED UPON LATEST AVAILABLE INFORMATION AND IS SUBJECT TO CHANGE WITHOUT NOTICE.

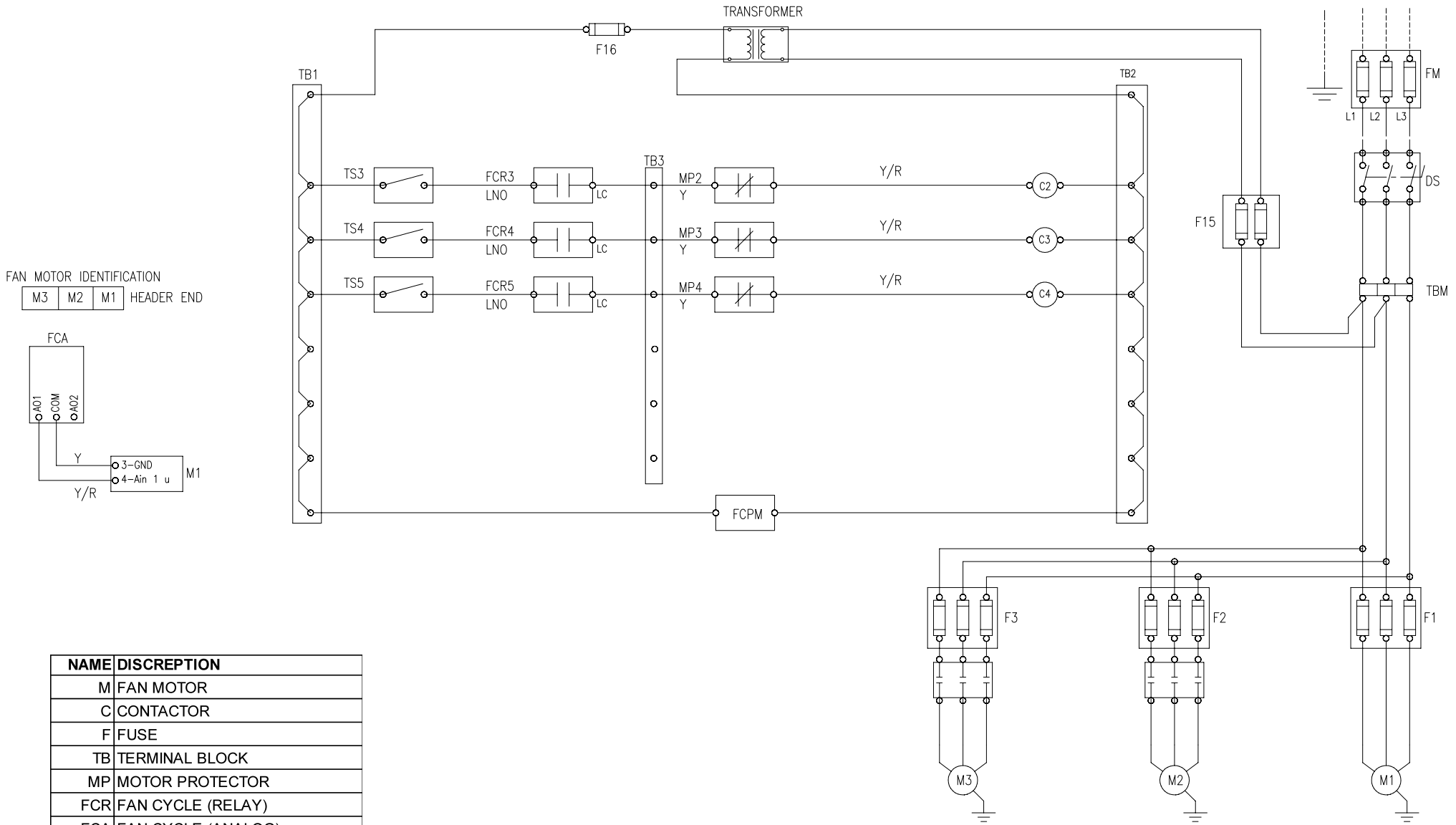


TITLE: COOLING SOLUTIONS
 UNIFLAIR-DX, CONDENSERS
 71kW, 460-480V, 3Ph, 60Hz
 110F/120F
 PIPING DIAGRAM-SCHMATIC
 PROJECT: DRAWINGS SHEET 3 OF 5

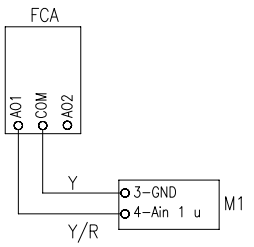
DWG NO: ACFC75273
 DRAWN BY: K.NAGENDRA 29-SEP-12
 ENGINEER: K.BAER 29-SEP-12
 APPROVED BY: C.CUMMISKEY 29-SEP-12

REV. 0
 THIRD ANGLE PROJECTION

MAIN POWER
460V-480V/3PH/60Hz



FAN MOTOR IDENTIFICATION
M3 M2 M1 HEADER END



NAME	DISCREPTION
M	FAN MOTOR
C	CONTACTOR
F	FUSE
TB	TERMINAL BLOCK
MP	MOTOR PROTECTOR
FCR	FAN CYCLE (RELAY)
FCA	FAN CYCLE (ANALOG)
FCPM	FAN CYCLE POWER MODULE
DS	DISCONNECT SWITCH
TS	TOGGLE SWITCH

THIS DRAWING AND SPECIFICATIONS HEREIN ARE THE PROPERTY OF SCHNEIDER ELECTRIC AND SHALL NOT BE COPIED, REPRODUCED OR USED IN WHOLE OR IN PART, AS THE BASIS FOR THE MANUFACTURE OR SALE OF ITEMS WITHOUT WRITTEN PERMISSION FROM SCHNEIDER ELECTRIC. THIS DRAWING IS BASED UPON LATEST AVAILABLE INFORMATION AND IS SUBJECT TO CHANGE WITHOUT NOTICE.



TITLE: COOLING SOLUTIONS
UNIFLAI-DX, CONDENSERS
71kW, 460-480V, 3Ph, 60Hz
110F/120F
WIRING DIAGRAM
PROJECT: DRAWINGS SHEET 4 OF 5

DWG NO: ACFC75273
DRAWN BY: K NAGENDRA/S CUNHA 20-DEC-12 THIRD
ENGINEER: K BAER/D MOODY 20-DEC-12 ANGLE
APPROVED BY: C CUMMISKEY/K BAER 20-DEC-12 PROJECTION
REV. 1

SKU#	Voltage/Ph/Frequency	Air Flow	
		CFM	L/s
ACFC75273	460-480/3/60	13930	6570

SKU#	Voltage/Ph/Frequency	Fans	Circuits	Connection (in.)
		Qty	Qty.	
ACFC75273	460-480/3/60	3	18	2.0

SKU#	Voltage/Ph/Frequency	Volume	
		Gal	L
ACFC75273	460-480/3/60	11.8	44.8

SKU#	Voltage/Ph/Frequency	Electrical Data			
		FLA	MCA	MOP	SCCR
ACFC75273	460-480/3/60	6.0	8.0	10	5 kA

THIS DRAWING AND SPECIFICATIONS HEREIN ARE THE PROPERTY OF SCHNEIDER ELECTRIC AND SHALL NOT BE COPIED, REPRODUCED OR USED IN WHOLE OR IN PART, AS THE BASIS FOR THE MANUFACTURE OR SALE OF ITEMS WITHOUT WRITTEN PERMISSION FROM SCHNEIDER ELECTRIC. THIS DRAWING IS BASED UPON LATEST AVAILABLE INFORMATION AND IS SUBJECT TO CHANGE WITHOUT NOTICE.



TITLE: COOLING SOLUTIONS
UNIFLAI-R-DX, CONDENSERS
71kW, 460-480V, 3Ph, 60Hz
110F/120F
TECHNICAL DATA

PROJECT: DRAWINGS SHEET 5 OF 5

DWG NO: ACFC75273 REV. 0

DRAWN BY: K.NAGENDRA	31-AUG-12	THIRD
ENGINEER: K.BAER	31-AUG-12	ANGLE
APPROVED BY: C.CUMMISKEY	31-AUG-12	PROJECTION