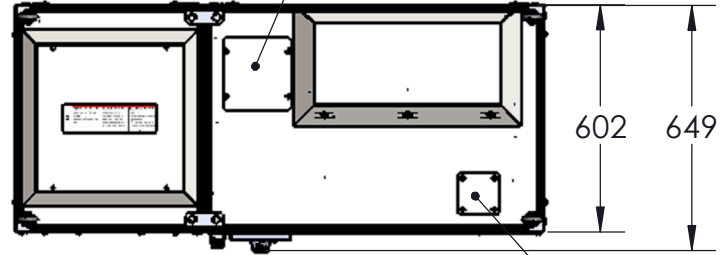
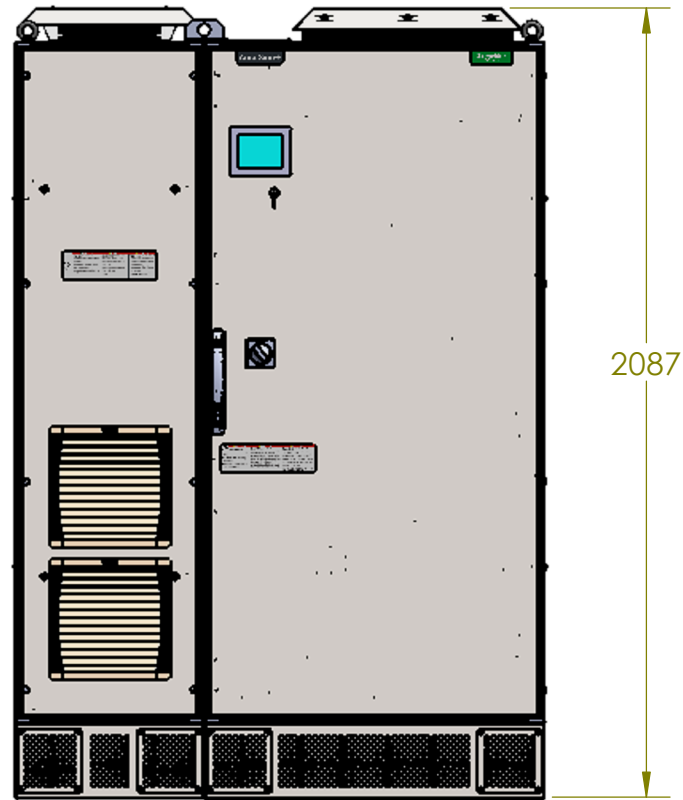


TOP POWER ENTRY 150x175mm OPENING



TOP ENTRY COMMUNICATIONS & CT's 50x50mm OPENING

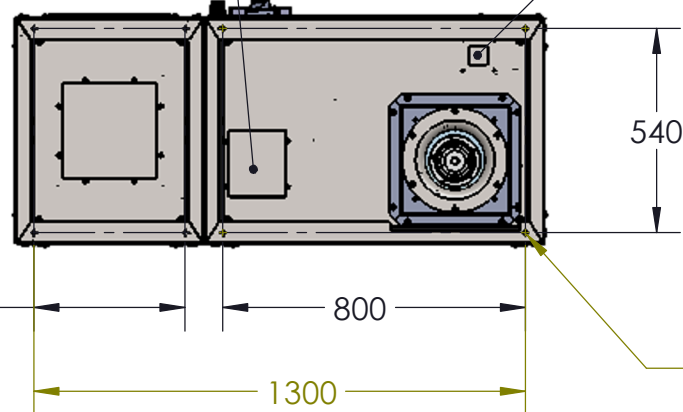


NHA5990900 LARGE ENCLOSURE 600-690V IP54/N12		
PCSP157D6N12	AccuSine PCS+ 157A, 600 VAC N12	HRB49244
EVCP157D6N12	AccuSine PFV+ 157A, 600 VAC N12	HRB49245
PCSP157D6IP54	AccuSine PCS+ 157A, 600 VAC IP54	HRB49246
EVCP157D6IP54	AccuSine PFV+ 157A, 600 VAC IP54	HRB49247
PCSP235D6N12	AccuSine PCS+ 235A, 600 VAC N12	HRB18260
EVCP235D6N12	AccuSine PFV+ 235A, 600 VAC N12	HRB18261
PCSP235D6IP54	AccuSine PCS+ 235A, 600 VAC IP54	HRB18262
EVCP235D6IP54	AccuSine PFV+ 235A, 600 VAC IP54	HRB18263
PCSP133D7N12	AccuSine PCS+ 133A, 690 VAC N12	HRB49794
PCSP133D7IP54	AccuSine PCS+ 133A, 690 VAC IP54	HRB49795
EVCP133D7N12	AccuSine PFV+ 133A, 690 VAC N12	HRB49796
EVCP133D7IP54	AccuSine PFV+ 133A, 690 VAC IP54	HRB49797
PCSP200D7N12	AccuSine PCS+ 200A, 690 VAC N12	HRB18266
PCSP200D7IP54	AccuSine PCS+ 200A, 690 VAC IP54	HRB18267
EVCP200D7N12	AccuSine PFV+ 200A, 690 VAC N12	HRB18270
EVCP200D7IP54	AccuSine PFV+ 200A, 690 VAC IP54	HRB18271

1400

BOTTOM ENTRY COMMUNICATIONS & CT's 50x50mm OPENING

BOTTOM POWER ENTRY 150x175mm OPENING



Ø13 FLOOR ANCHOR HOLES

	Scale: N/A	Tolerancing Standard: ISO8015	Units of Measure: mm
	<b>LARGE ENCLOSURE 600-690V IP54/N12</b>		
	LARGE ENCLOSURE 600-690V IP54/N12		
Number: NHA5990900		Revision: 00	Sheet: 1 OF 1
All information and data contained in this document are the exclusive property of Schneider Electric Industries SAS and may neither be used nor disclosed without its prior written consent.		State:	Released for Manufacturing Printed on 2015/07/09