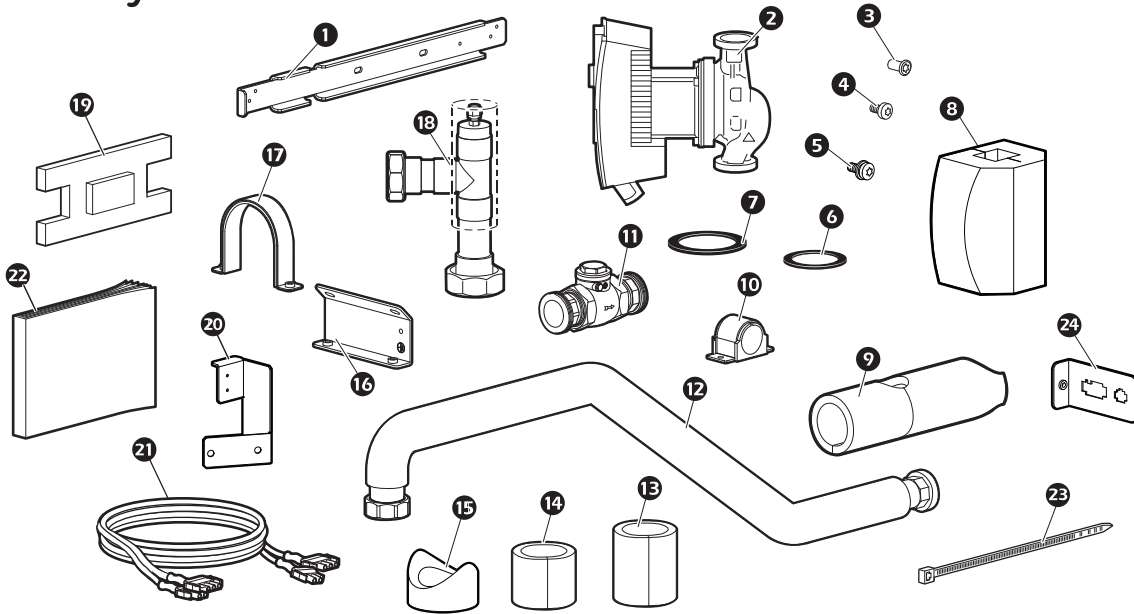


# Dew Point Control Pump Kit—Installation

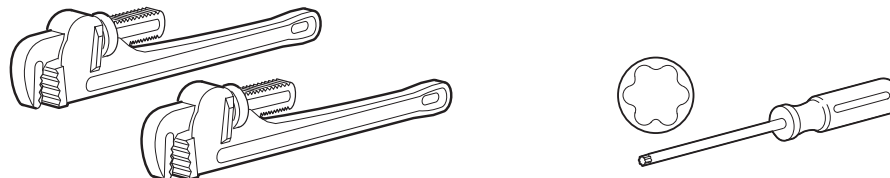
## ACAC10031

### Inventory



Item	Description	Quantity	Item	Description	Quantity
1	Bracket, pump clamp	1	13	Pipe connection insulation	1
2	Water circulation pump	1	14	Pump connection insulation	2
3	M6 × 12 T20 screw	6	15	Check valve insulation	1
4	M4 × 8 TORX	6	16	Bracket	1
5	M4 × 8 TORX w/ washer	2	17	Pump clamp	1
6	Pipe union gasket	3	18	Tee assembly	1
7	Pump union gasket	2	19	Pump clamp Insulation	1
8	Circulation pump insulation	1	20	Upper piping bracket	1
9	Check valve insulation	1	21	Wire harness	1
10	1-3/8 in. cushion clamp	1	22	Pump user manual	1
11	Check valve assembly	1	23	Wire tie	12
12	Pipe, 1-1/8 in.	1	24	Connector mounting bracket	1

### Tools Required



# Safety

## **⚠️ DANGER**

**HAZARD OF ELECTRIC SHOCK, EXPLOSION, OR ARC FLASH**

Turn off all electrical power before working on or near this equipment.

**Failure to follow these instructions will result in death or serious injury.**

## **⚠️ CAUTION**

**SHARP EDGES**

Wear protective gloves during assembly.

**Failure to follow these instructions can result in minor or moderate injury**

## **⚠️ WARNING**

**TIP HAZARD**

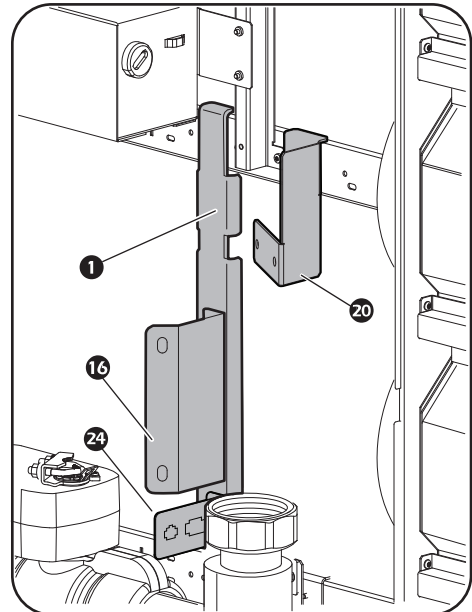
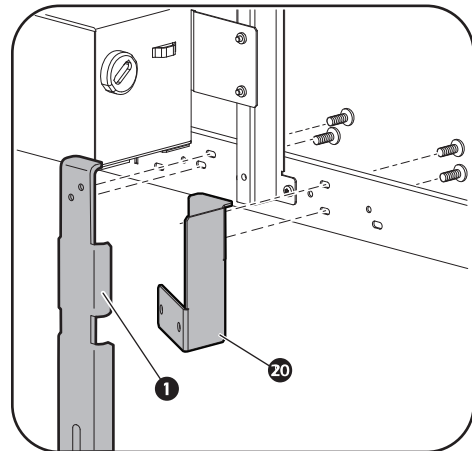
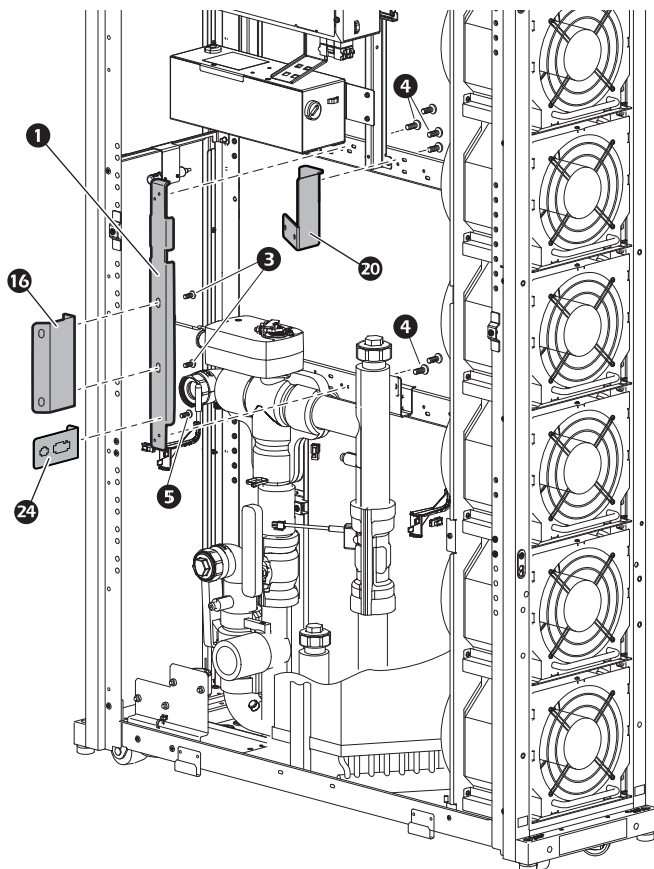
Risk of tip hazard during assembly. Be sure to secure unit or use two people during the assembly process.

**Failure to follow these instructions can result in death or serious injury.**

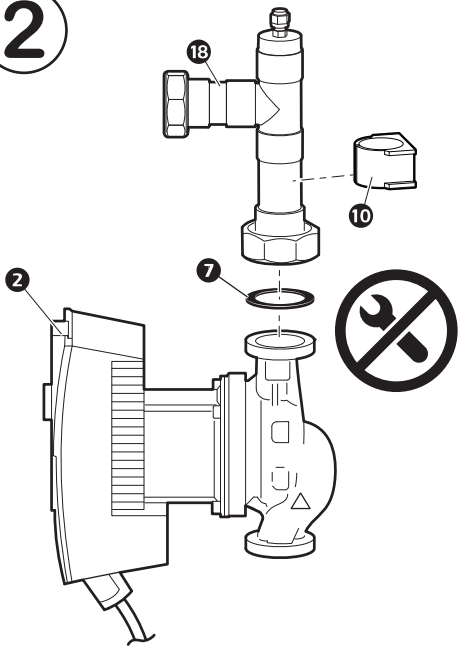
# Installation

**NOTE:** Some parts not shown for better visibility of the installation process.

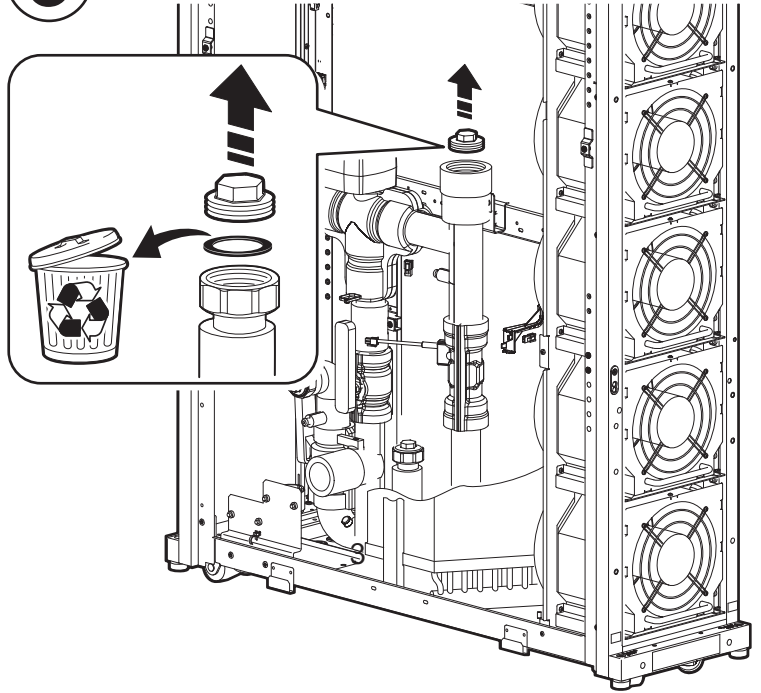
**1**



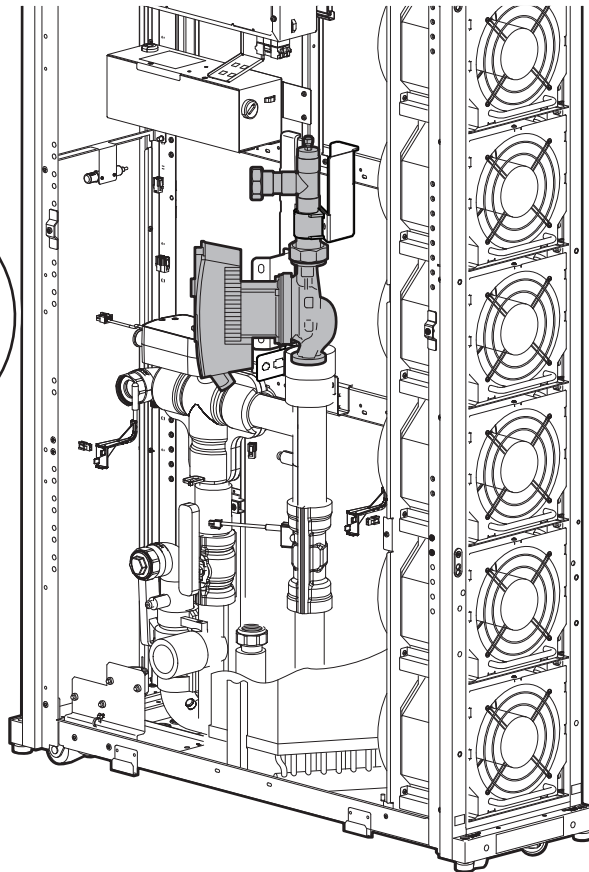
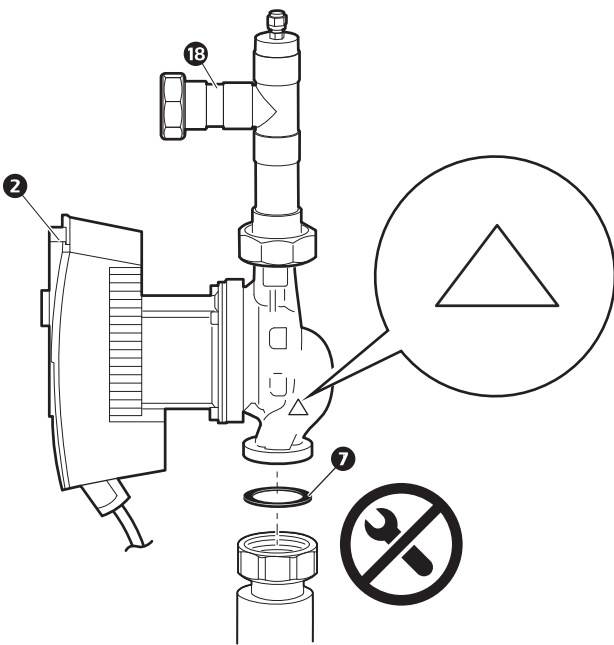
2

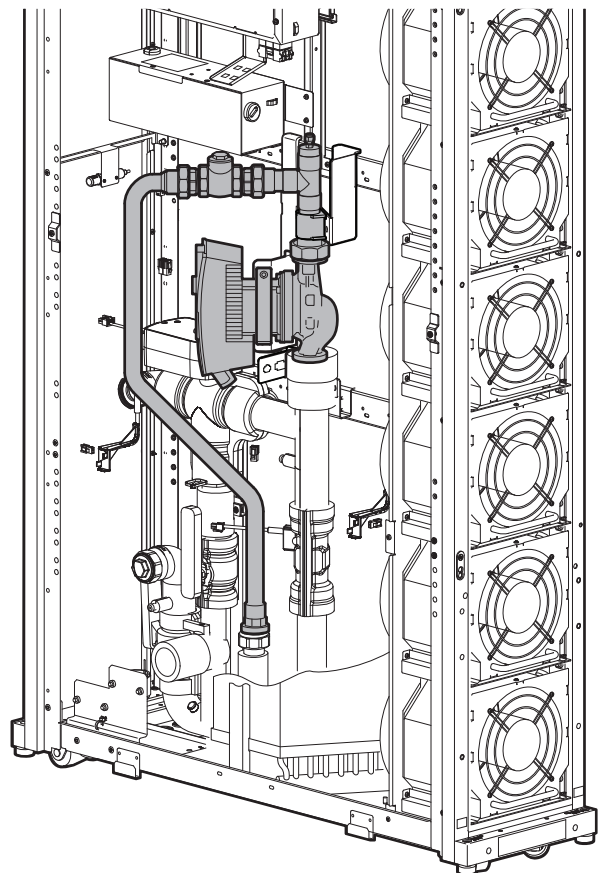
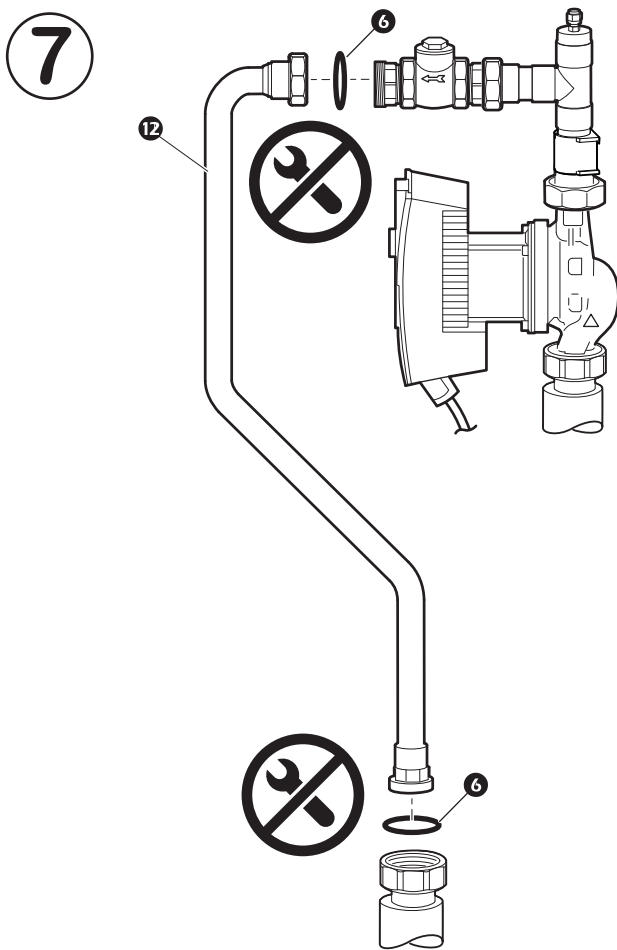
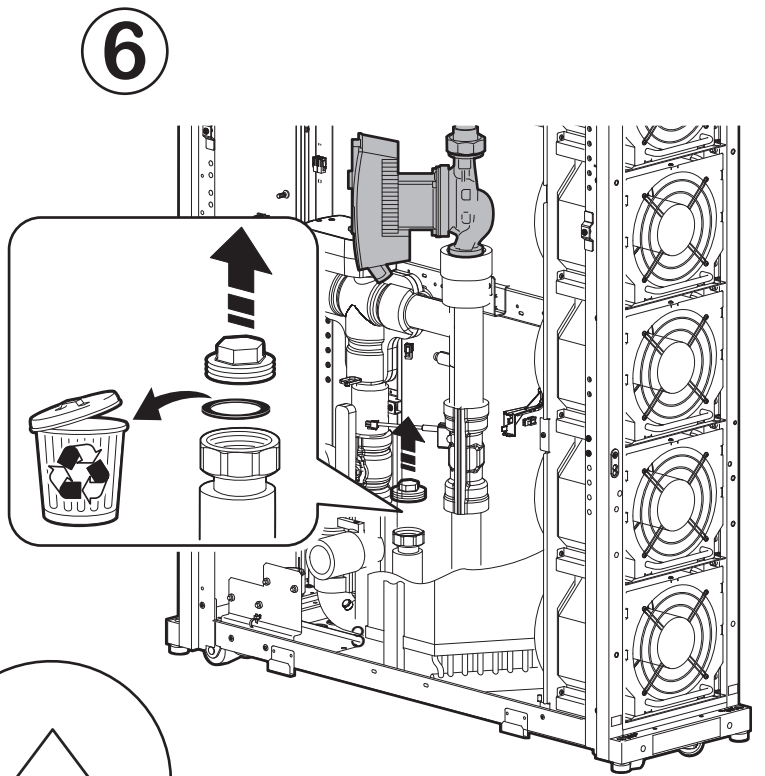
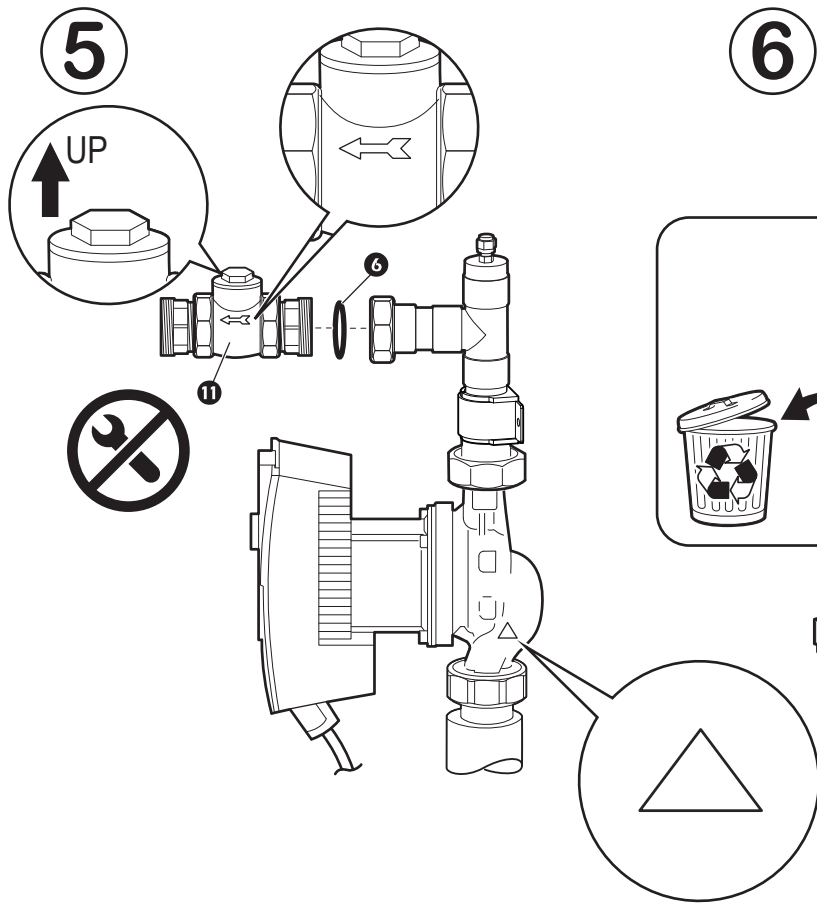


3

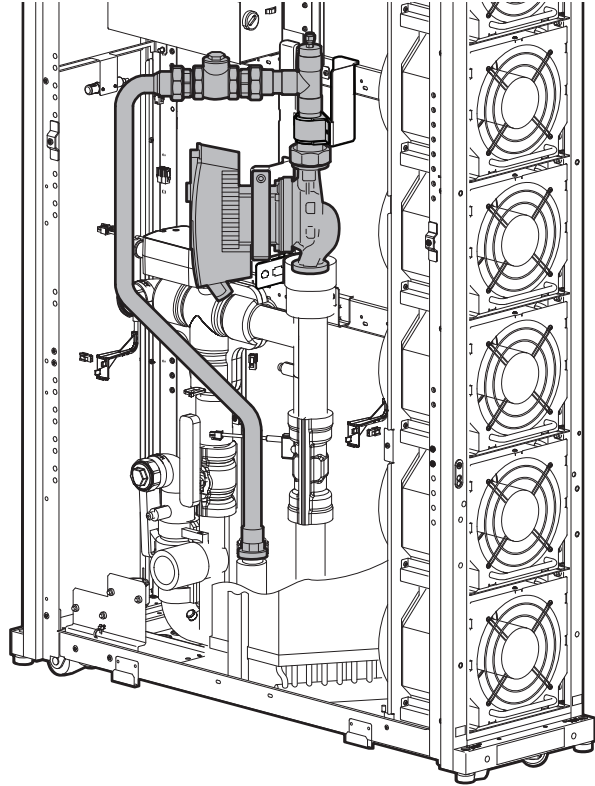
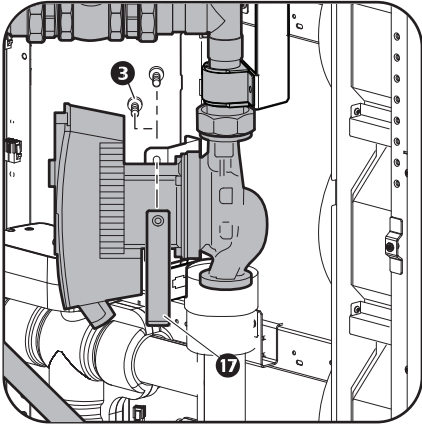
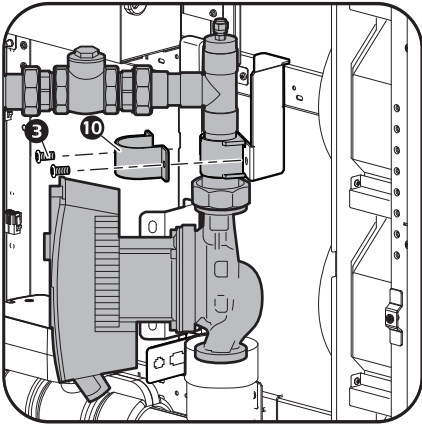


4

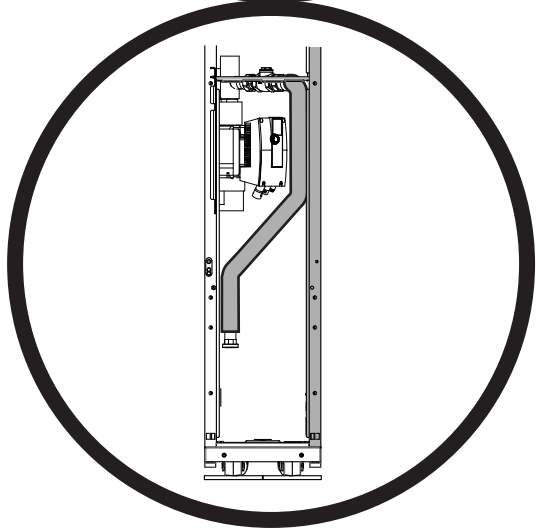
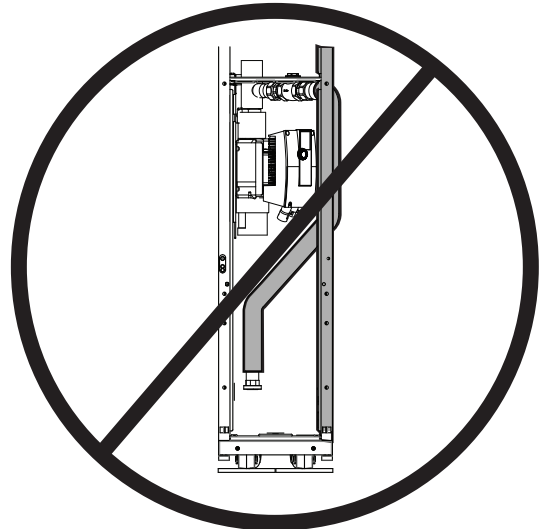
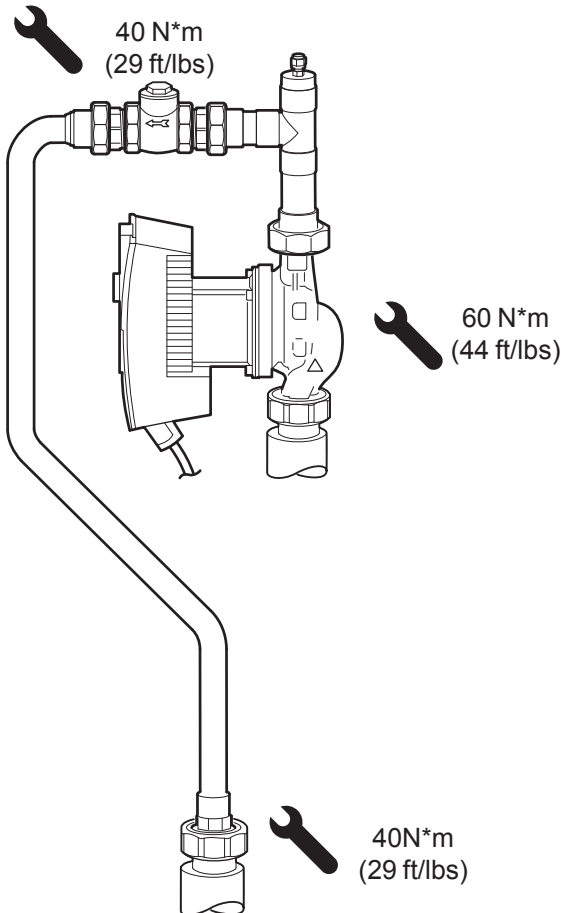




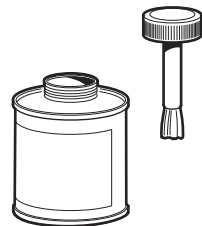
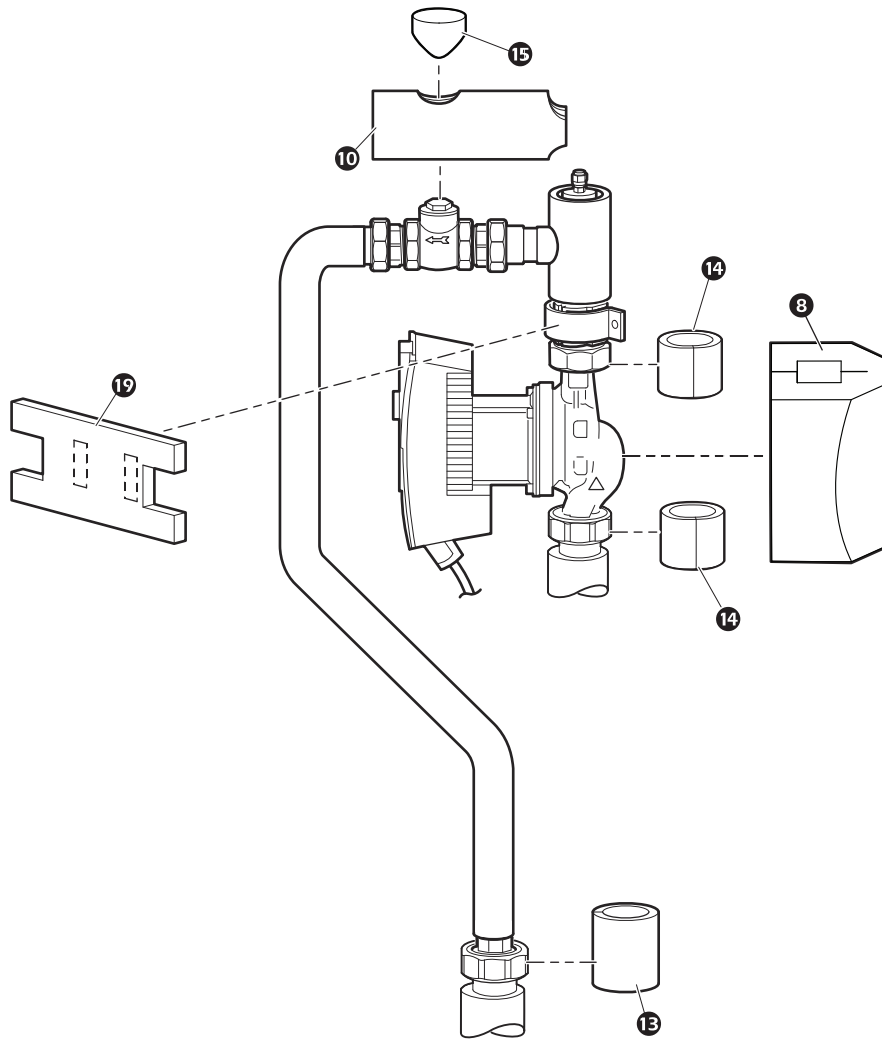
8



9

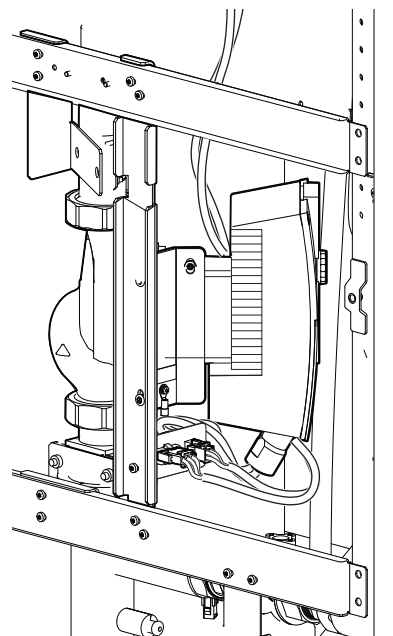
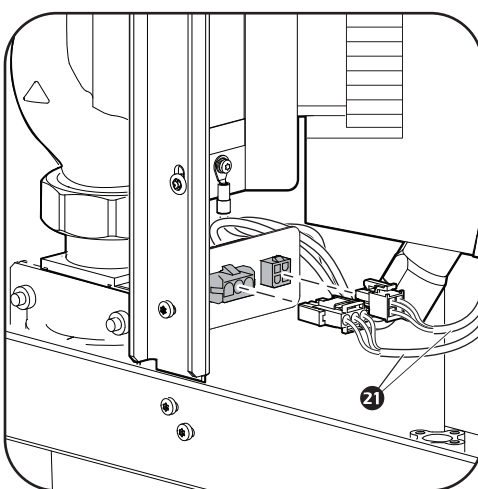
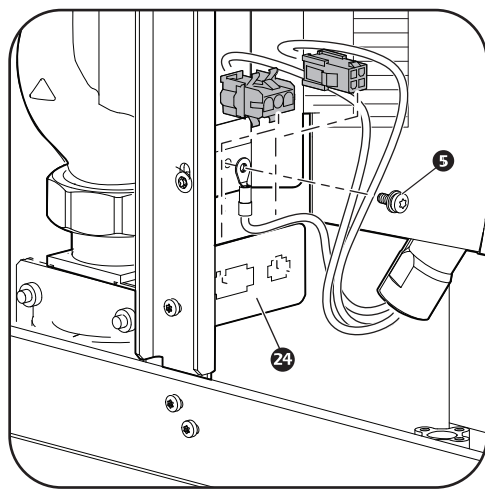


10

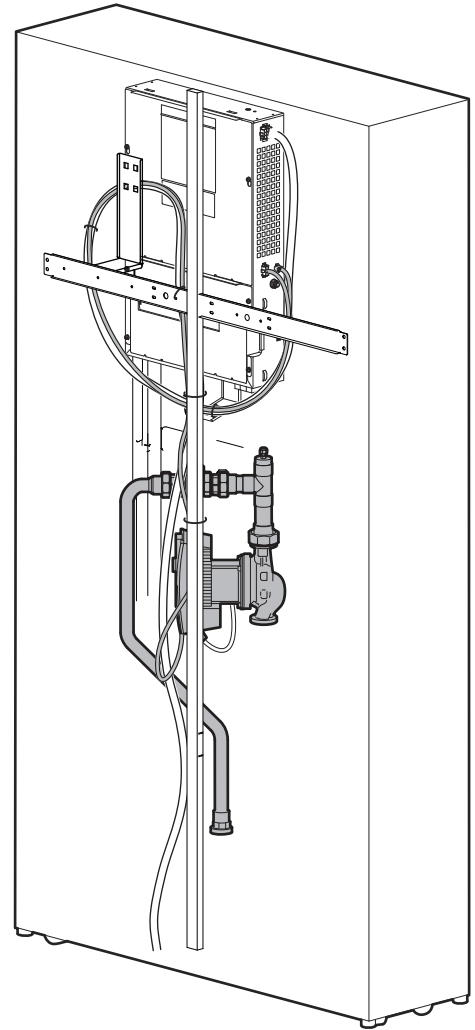
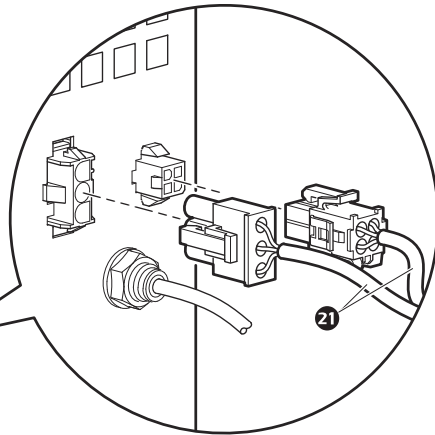
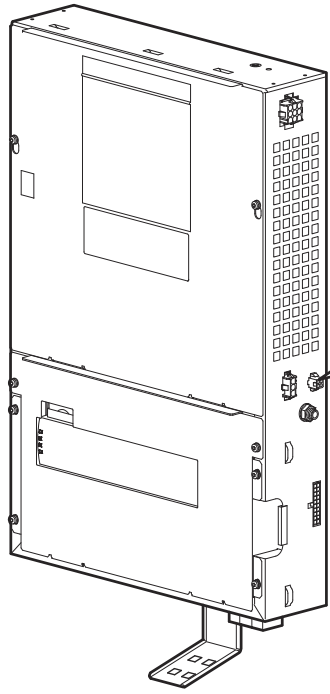


Adhesive 690-0137

11



12



Refer to the manuals that come with your equipment for further installation instructions.

Customer support and warranty information is available at the APC Web site, [www.apc.com](http://www.apc.com).

© Schneider Electric, APC and the APC logo are owned by Schneider Electric Industries S.A.S., or its affiliated companies. All other trademarks are property of their respective owners.

990-5096A  
1/2014