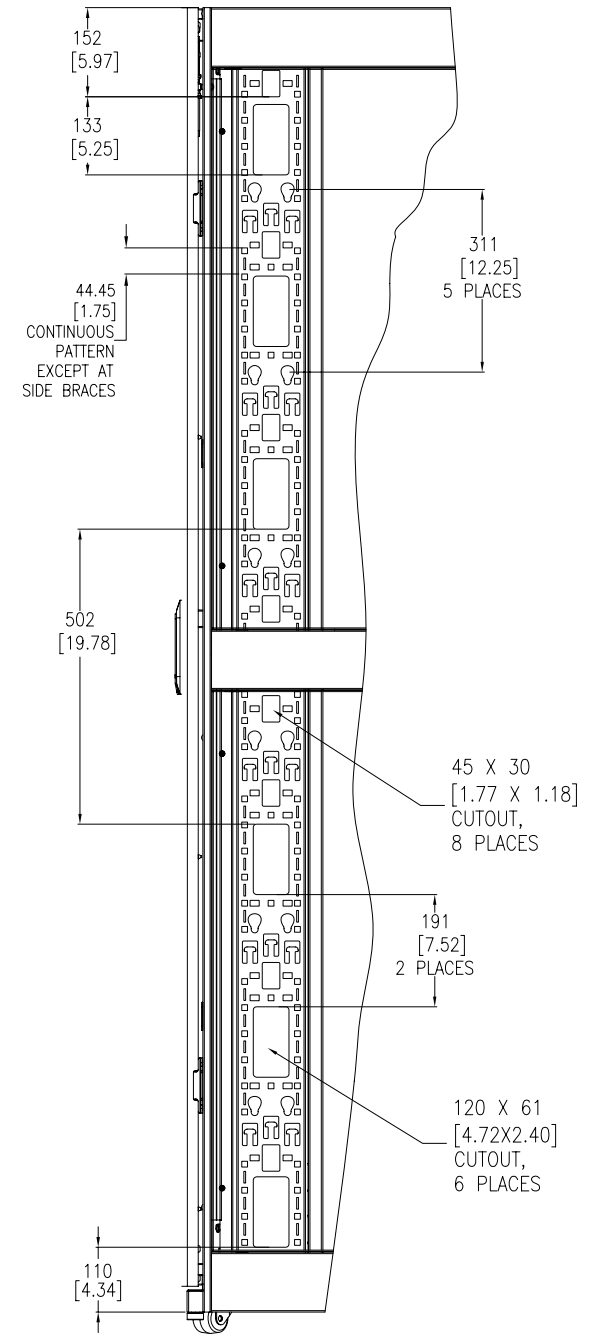


NOTES:

1. INSTALLATION MUST COMPLY WITH NATIONAL AND LOCAL ELECTRICAL REGULATIONS.
2. PLEASE REFER TO THE PRODUCT MANUALS FOR DETAILED INFORMATION.
3. ALL DIMENSIONS ARE IN MILLIMETERS [INCHES].
4. NET WEIGHT OF UNIT IS 185 Kg [408 LBS].
5. CABLE ENTRY IS TOP OR BOTTOM OF UNIT.
6. FRONT AND REAR SERVICE ACCESS REQUIRED.
7. AIR FLOW AND SERVICE REQUIREMENTS, AS WELL AS MINIMUM CLEARANCE TO FIRE SUPPRESSION SYSTEMS SHOULD BE CONSIDERED WHEN LOCATING THE ENCLOSURE.

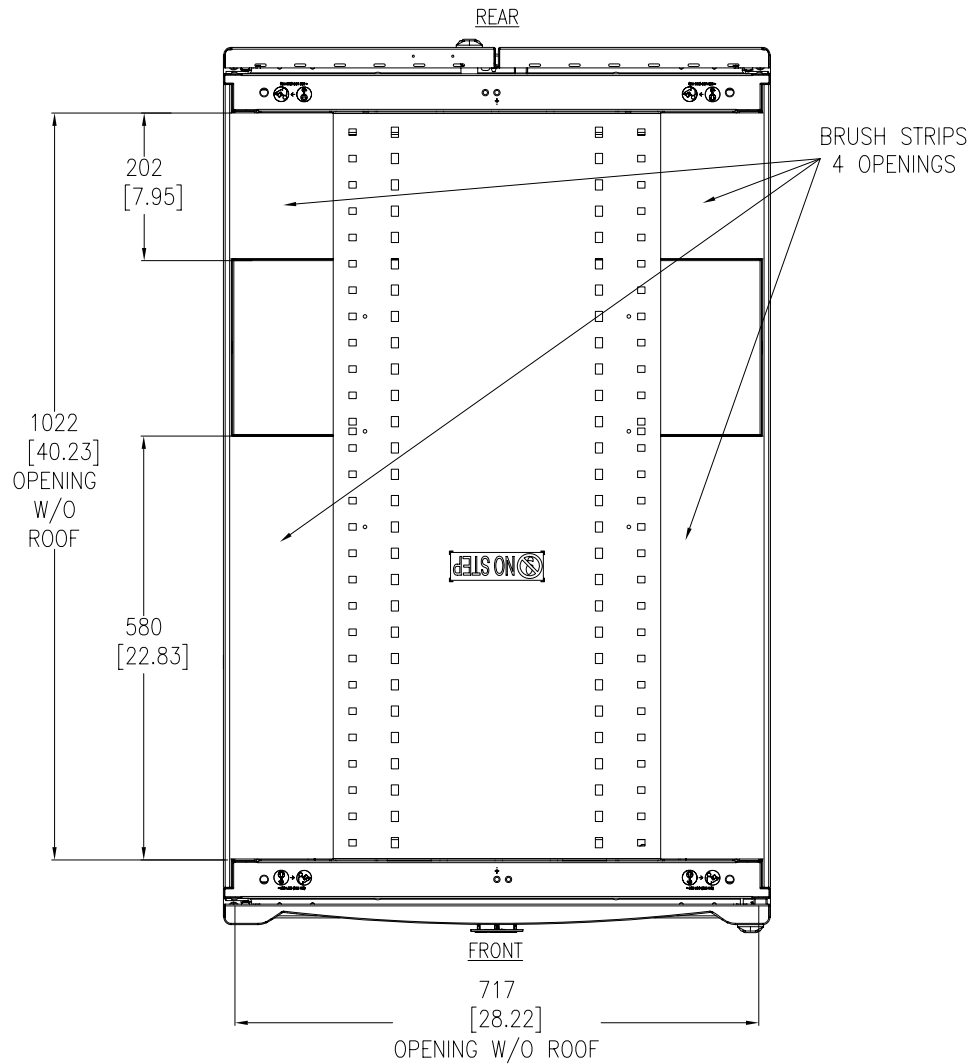


DETAIL-A
(RACK MOUNT PDU MOUNTING DETAILS)

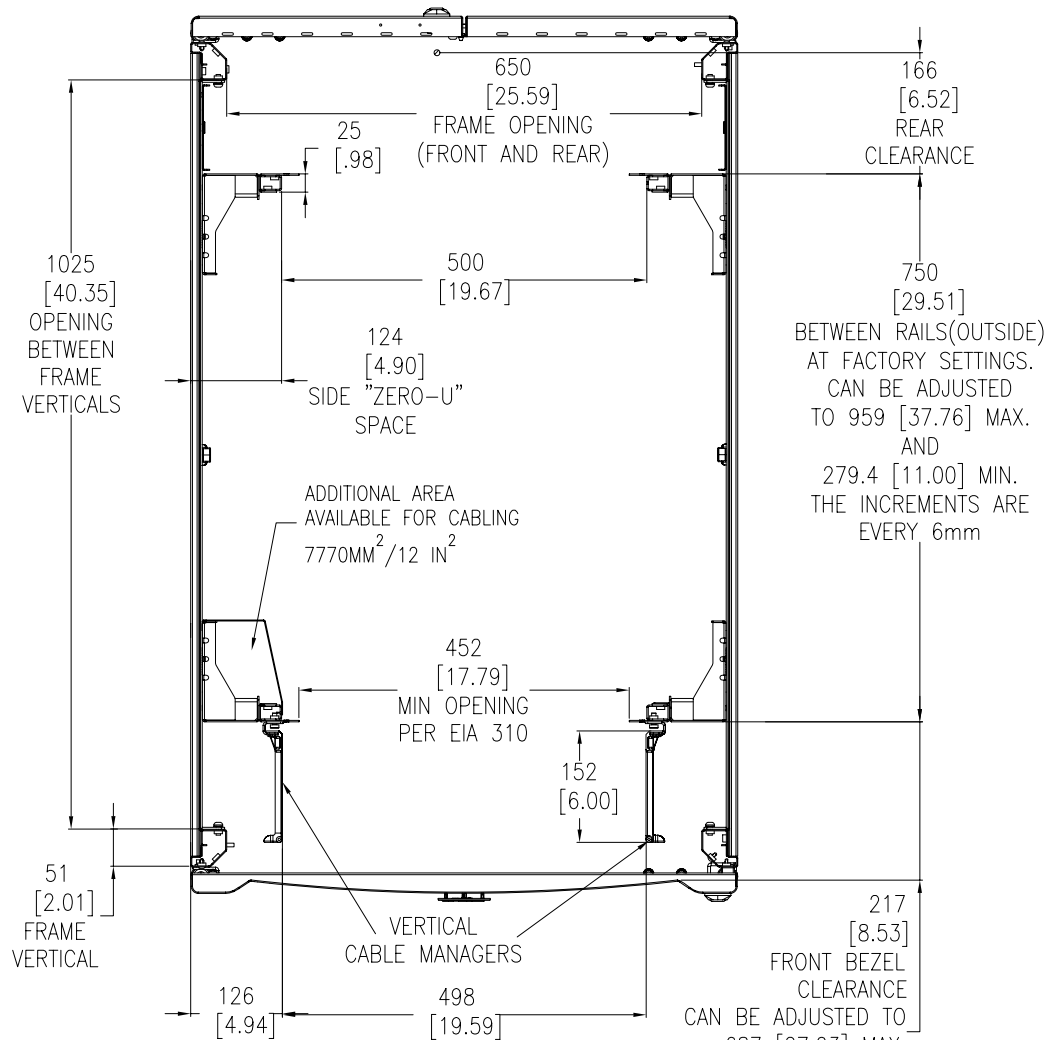
THIS DRAWING AND SPECIFICATIONS HEREIN ARE THE PROPERTY OF SCHNEIDER ELECTRIC AND SHALL NOT BE COPIED, REPRODUCED OR USED IN WHOLE OR IN PART, AS THE BASIS FOR THE MANUFACTURE OR SALE OF ITEMS WITHOUT WRITTEN PERMISSION FROM SCHNEIDER ELECTRIC. THIS DRAWING IS BASED UPON LATEST AVAILABLE INFORMATION AND IS SUBJECT TO CHANGE WITHOUT NOTICE.



TITLE:	NetShelter SX 48U NETWORKING ENCLOSURE WITH SIDES 750mm WIDE x 1200mm DEEP MAIN MECHANICAL	DWG NO:	AR3347	REV:	0
DRAWN BY:	C KRISHNA	DATE:	26-NOV-10	ANGLE:	FIRST
ENGINEER:	J.BERGESCH/S.NEAL	DATE:	26-NOV-10	PROJECTION:	ANGLE
PROJECT:	SUBMITTAL DRAWINGS	SHEET:	1 OF 4	APPROVED BY:	26-NOV-10



TOP VIEW
CABLE OPENINGS
(BRUSH STRIPS REMOVED)



SECTION B-B
(VIEW FROM INSIDE CABINET
LOOKING DOWN)

NOTES:

1. INSTALLATION MUST COMPLY WITH ALL APPLICABLE NATIONAL, STATE AND LOCAL CODES.
2. PLEASE REFER TO THE PRODUCT MANUALS FOR DETAILED INFORMATION.
3. UNLESS OTHERWISE SPECIFIED, ALL DIMENSIONS ARE IN MILLIMETERS [INCHES].

THIS DRAWING AND SPECIFICATIONS HEREIN ARE THE PROPERTY OF SCHNEIDER ELECTRIC AND SHALL NOT BE COPIED, REPRODUCED OR USED IN WHOLE OR IN PART, AS THE BASIS FOR THE MANUFACTURE OR SALE OF ITEMS WITHOUT WRITTEN PERMISSION FROM SCHNEIDER ELECTRIC. THIS DRAWING IS BASED UPON LATEST AVAILABLE INFORMATION AND IS SUBJECT TO CHANGE WITHOUT NOTICE.



TITLE: NetShelter SX 48U NETWORKING ENCLOSURE WITH SIDES 750mm WIDE x 1200mm DEEP TOP VIEWS

PROJECT: SUBMITTAL DRAWINGS SHEET 2 OF 4

DWG NO: AR3347

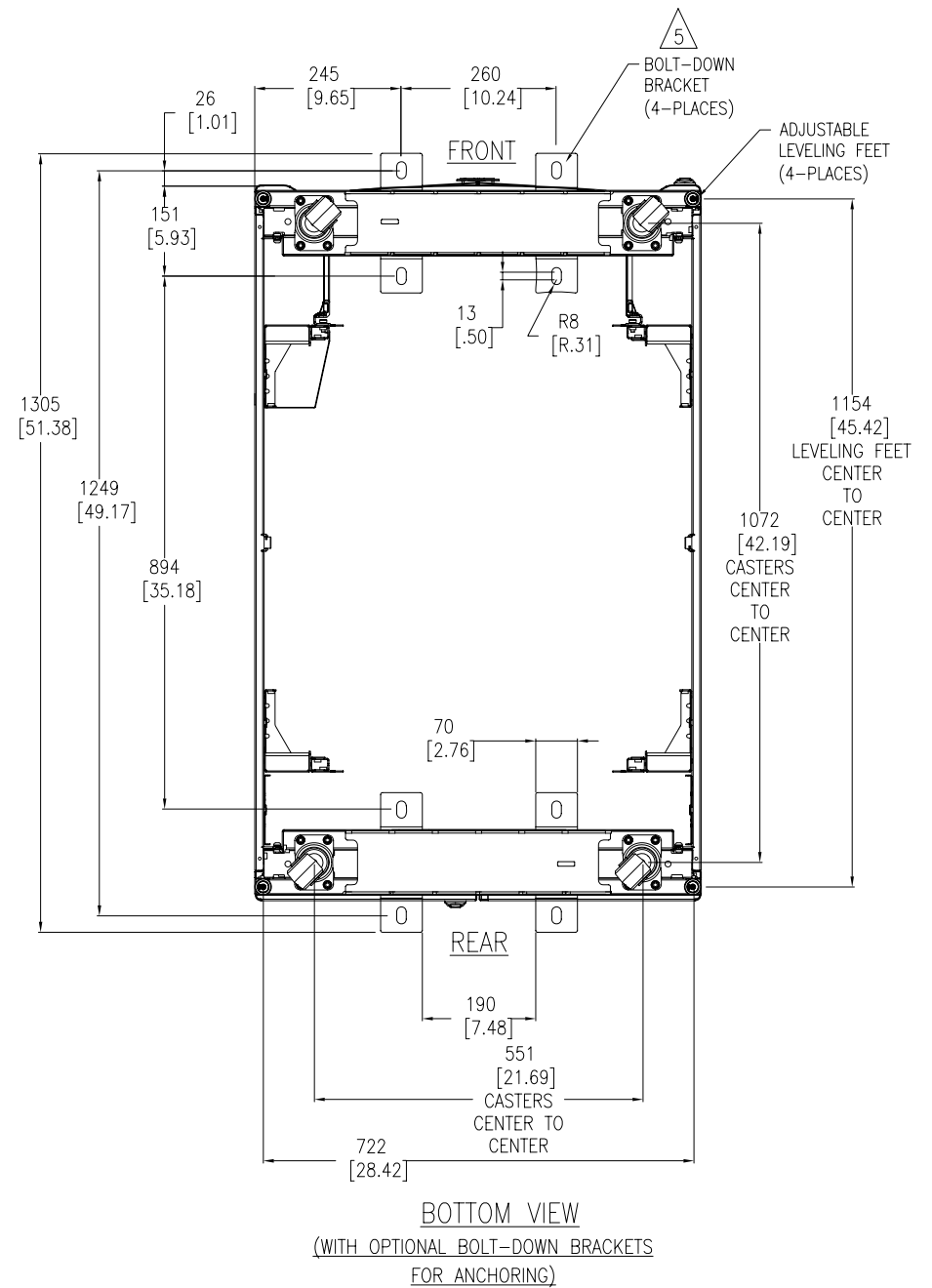
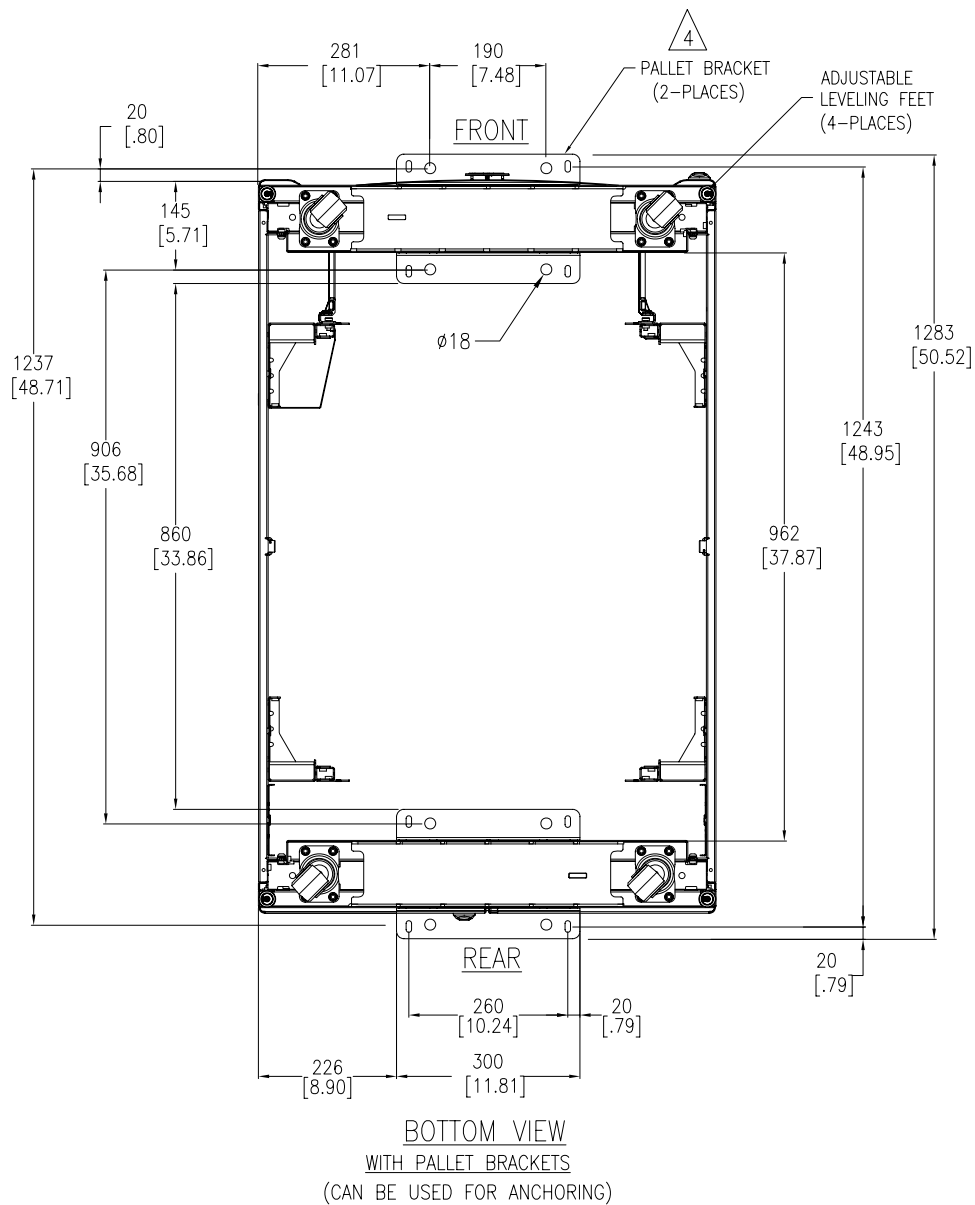
DRAWN BY: C KRISHNA 26-NOV-10

ENGINEER: J.BERGESCH/S.NEAL 26-NOV-10

APPROVED BY: [Signature] 26-NOV-10

REV: 0

FIRST ANGLE PROJECTION



NOTES:

1. INSTALLATION MUST COMPLY WITH ALL APPLICABLE NATIONAL, STATE AND LOCAL CODES.
2. PLEASE REFER TO THE PRODUCT MANUALS FOR DETAILED INFORMATION.
3. UNLESS OTHERWISE SPECIFIED, ALL DIMENSIONS ARE MILLIMETERS [INCHES].
- △4. ANCHORING CAN BE INSTALLED EITHER INSIDE OR OUTSIDE THE NetShelter WITH ONE AT FRONT AND ONE IN BACK.
- △5. BOLT-DOWN KIT (SKU# AR7701) IS OPTIONAL AND HAS TO BE ORDERED SEPARATELY.

THIS DRAWING AND SPECIFICATIONS HEREIN ARE THE PROPERTY OF SCHNEIDER ELECTRIC AND SHALL NOT BE COPIED, REPRODUCED OR USED IN WHOLE OR IN PART, AS THE BASIS FOR THE MANUFACTURE OR SALE OF ITEMS WITHOUT WRITTEN PERMISSION FROM SCHNEIDER ELECTRIC. THIS DRAWING IS BASED UPON LATEST AVAILABLE INFORMATION AND IS SUBJECT TO CHANGE WITHOUT NOTICE.



TITLE: NetShelter SX 48U NETWORKING ENCLOSURE WITH SIDES 750mm WIDE x 1200mm DEEP BOTTOM VIEWS

PROJECT: SUBMITTAL DRAWINGS SHEET 3 OF 4

DWG NO:	AR3347	REV:	0
DRAWN BY:	C KRISHNA	26-NOV-10	FIRST ANGLE PROJECTION
ENGINEER:	J.BERGESCH/S.NEAL	26-NOV-10	
APPROVED BY:	MURPHY/ASHBURN/C. LARSEN/NOV	26-NOV-10	

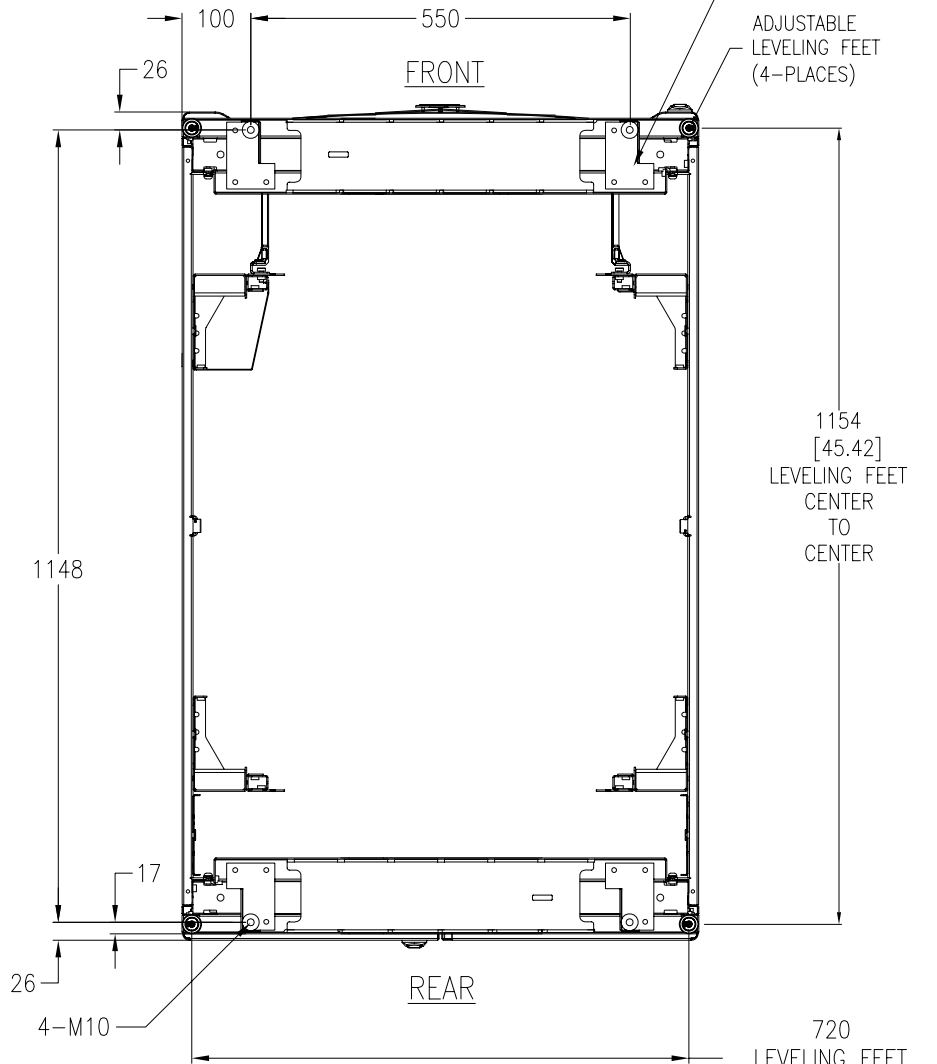
△ 4
CHANNEL MOUNTING
BRACKET KIT, 4 PLACES
SEE DETAIL-A

ADJUSTABLE
LEVELING FEET
(4-PLACES)

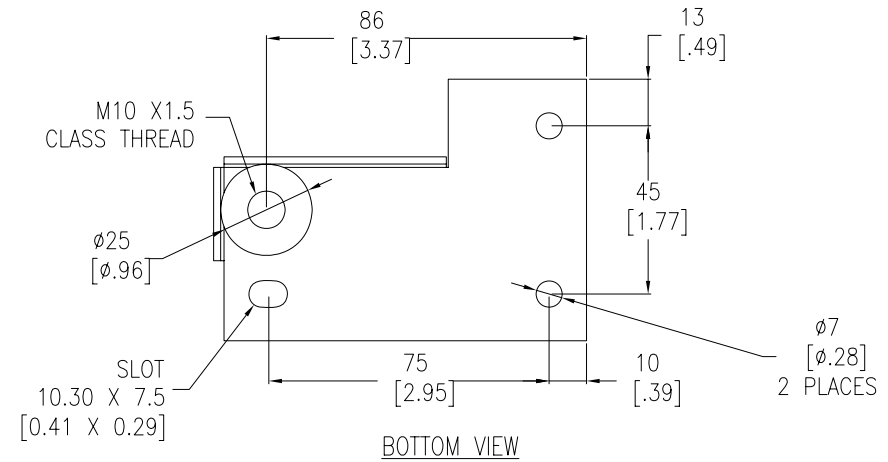
1154
[45.42]
LEVELING FEET
CENTER
TO CENTER

720
LEVELING FEET
CENTER TO CENTER

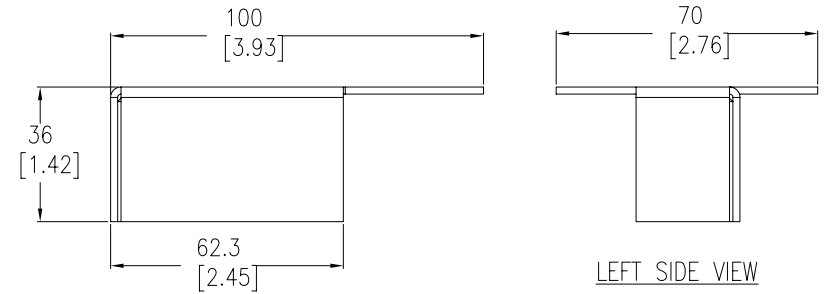
BOTTOM VIEW
(WITH CHANNEL MOUNTING BRACKET KIT)



DETAIL-A
CHANNEL MOUNTING BRACKET KIT
(AR7709)

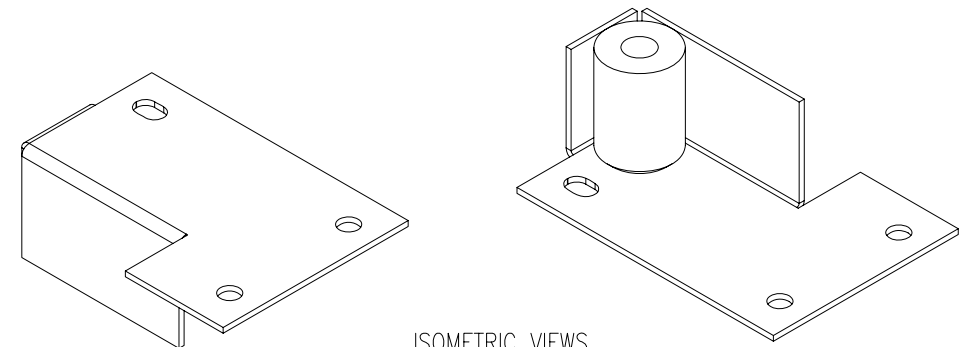


BOTTOM VIEW



FRONT VIEW

LEFT SIDE VIEW



ISOMETRIC VIEWS

NOTES:

1. INSTALLATION MUST COMPLY WITH NATIONAL AND LOCAL ELECTRICAL REGULATIONS.
2. PLEASE REFER TO INSTALLATION MANUAL: 990-2912 FOR CHANNEL BRACKET INSTALLATION DETAILS.
3. UNLESS OTHERWISE SPECIFIED, ALL DIMENSIONS ARE IN MILLIMETERS [INCHES].
- △ 4. CHANNEL MOUNTING BRACKET KIT (SKU# AR7709) IS OPTIONAL AND HAS TO BE ORDERED SEPERATELY.

THIS DRAWING AND SPECIFICATIONS HEREIN ARE THE PROPERTY OF SCHNEIDER ELECTRIC AND SHALL NOT BE COPIED, REPRODUCED OR USED IN WHOLE OR IN PART, AS THE BASIS FOR THE MANUFACTURE OR SALE OF ITEMS WITHOUT WRITTEN PERMISSION FROM SCHNEIDER ELECTRIC. THIS DRAWING IS BASED UPON LATEST AVAILABLE INFORMATION AND IS SUBJECT TO CHANGE WITHOUT NOTICE.



TITLE: NETSHELTER SX 48U
NETWORKING ENCLOSURE WITH SIDES
750mm WIDE x 1200mm DEEP
CHANNEL MOUNTING BRACKET KIT

DWG NO: AR3347 REV: 0

DRAWN BY: C KRISHNA 26-NOV-10

ENGINEER: A.MIAO/J.SUN 26-NOV-10

APPROVED BY: 26-NOV-10

FIRST

ANGLE

PROJECTION

PROJECT: SUBMITTAL DRAWINGS SHEET 4 OF 4