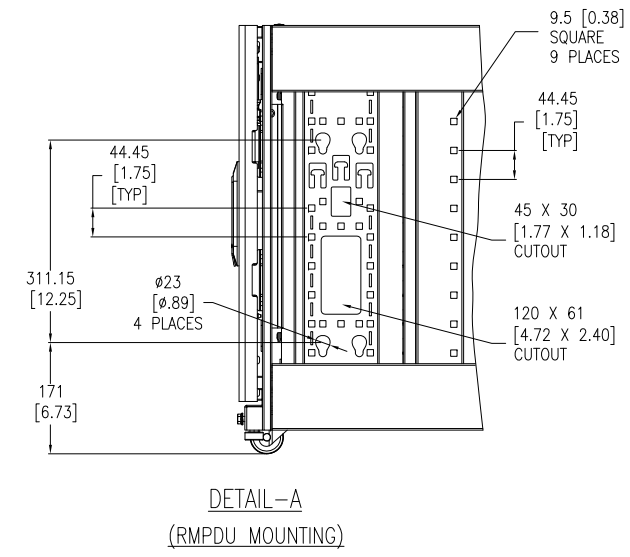
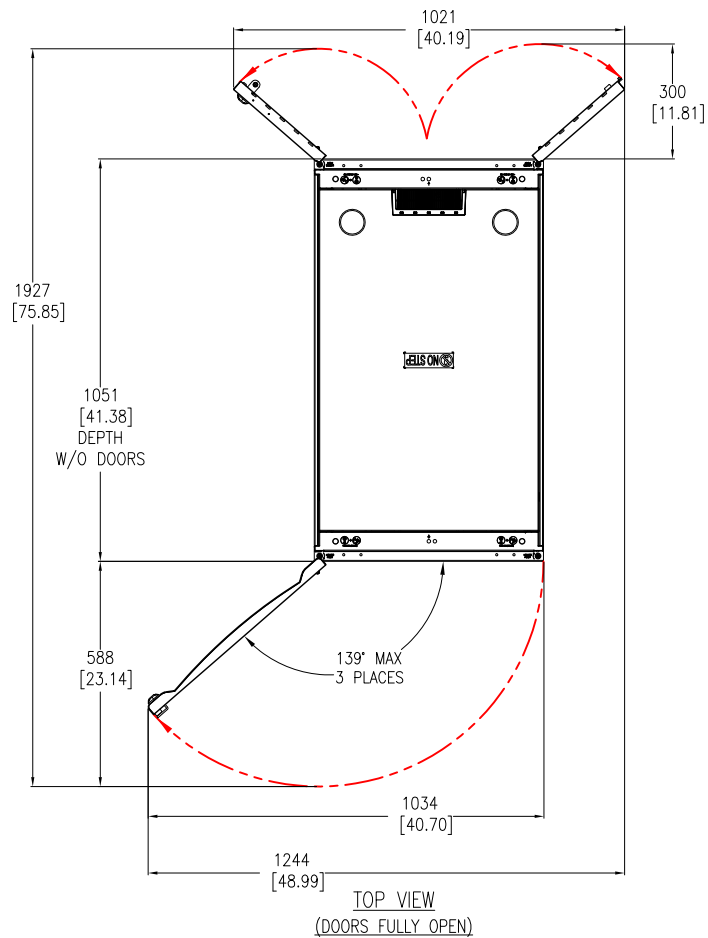
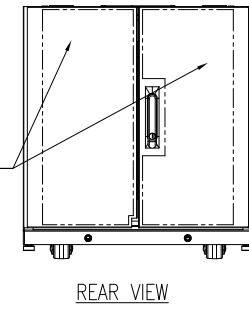


580 [22.83]
HOLE-TO-HOLE
AT FACTORY SETTING

THIS PANEL IS CONSTRUCTED WITH PERFORATED MATERIAL



NOTES:

1. INSTALLATION SHALL COMPLY WITH ALL APPLICABLE NATIONAL, STATE AND LOCAL ELECTRICAL REGULATIONS.
2. REFER TO PRODUCT DOCUMENTATION FOR ADDITIONAL DETAILS PRIOR TO INSTALLATION AND SITE PREPARATION WORK.
3. ALL DIMENSIONS ARE IN MILLIMETERS [INCHES].
4. NET WEIGHT OF UNIT IS 59kg [130 lb].
5. CABLE ENTRY IS TOP OR BOTTOM OF THE UNIT.
6. FRONT AND REAR SERVICE ACCESS REQUIRED.
7. AIR FLOW AND SERVICE REQUIREMENTS, AS WELL AS MINIMUM CLEARANCE TO FIRE SUPPRESSION SYSTEMS SHOULD BE CONSIDERED WHEN LOCATING THE ENCLOSURE.

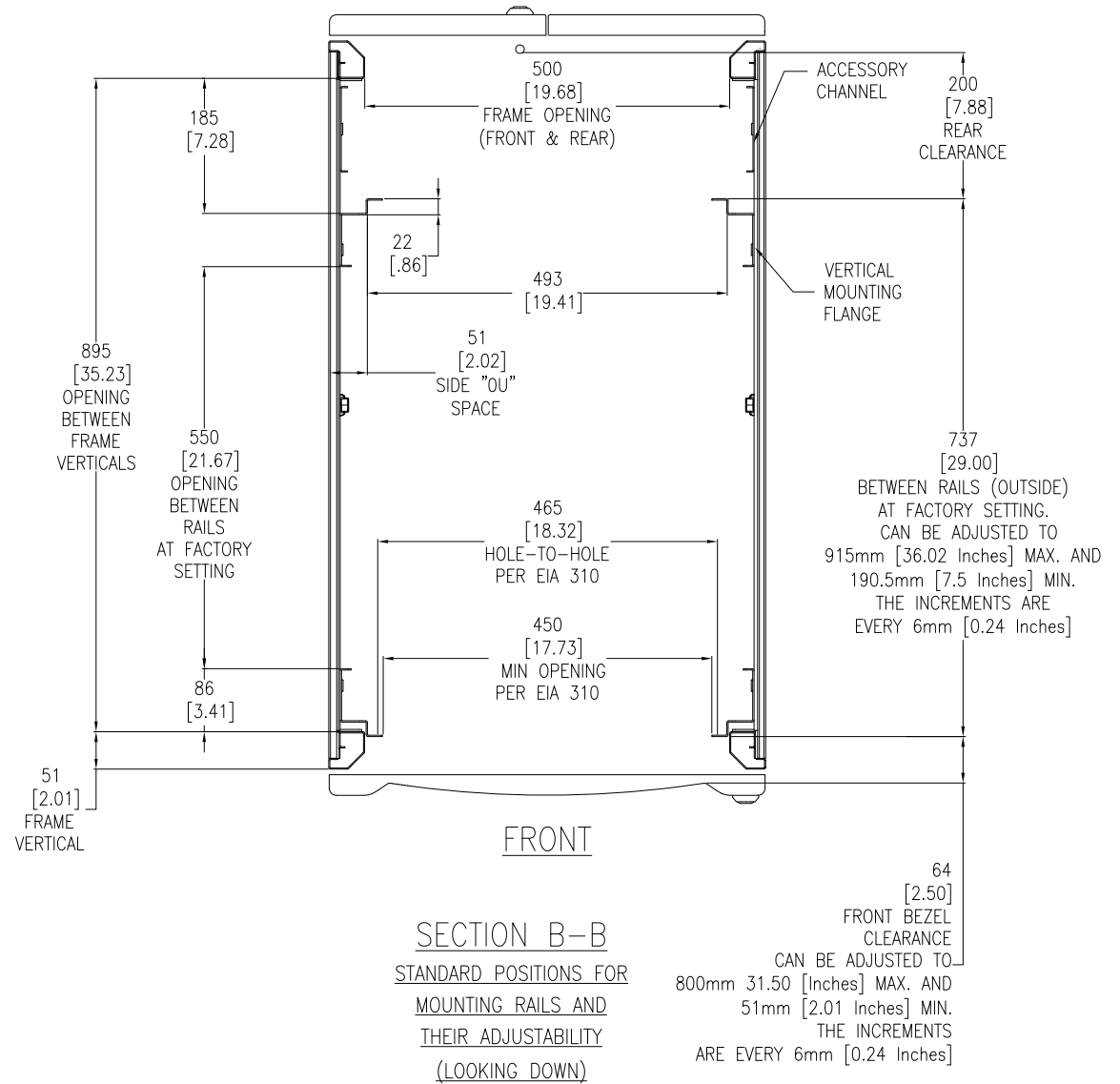
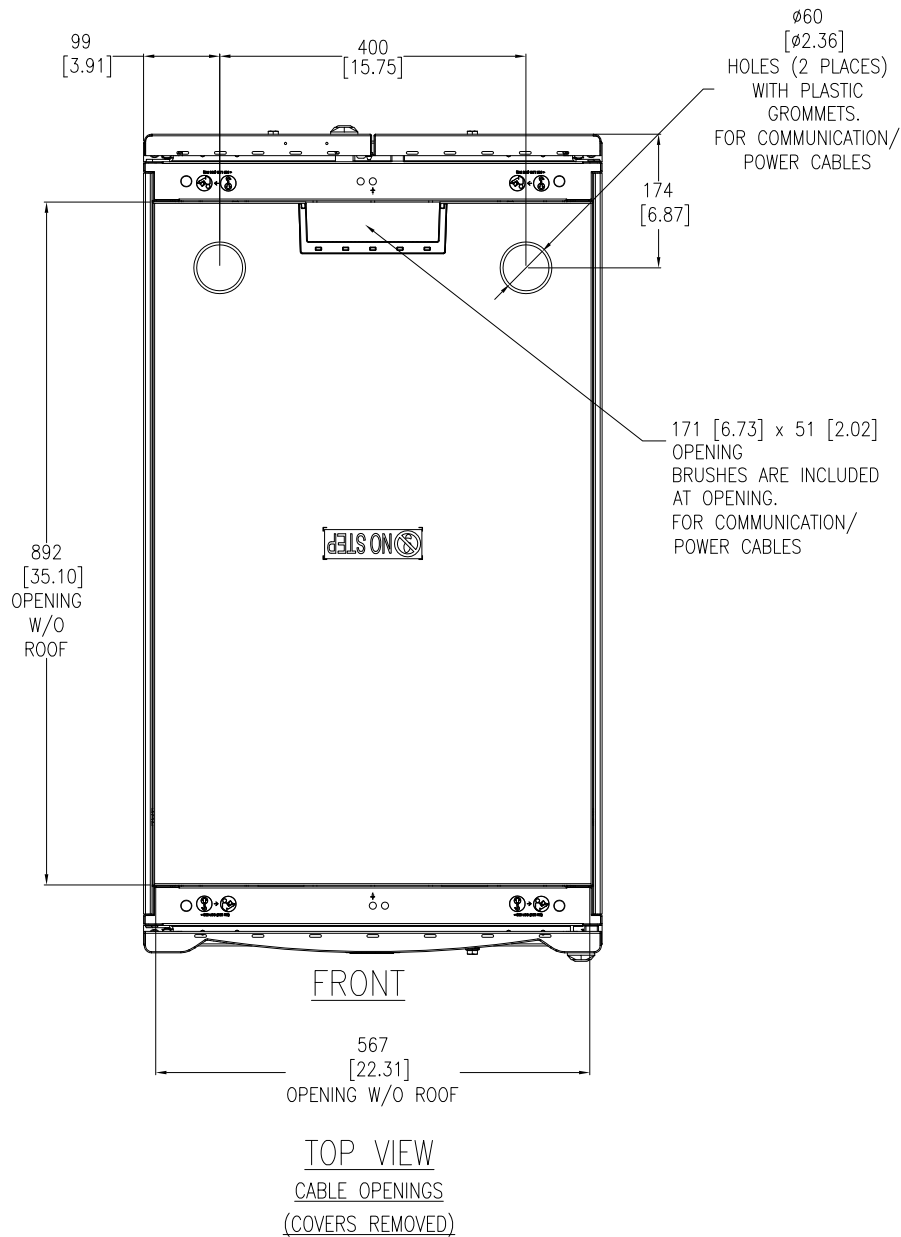
THIS DRAWING AND SPECIFICATIONS HEREIN ARE THE PROPERTY OF SCHNEIDER ELECTRIC AND SHALL NOT BE COPIED, REPRODUCED OR USED IN WHOLE OR IN PART, AS THE BASIS FOR THE MANUFACTURE OR SALE OF ITEMS WITHOUT WRITTEN PERMISSION FROM SCHNEIDER ELECTRIC. THIS DRAWING IS BASED UPON LATEST AVAILABLE INFORMATION AND IS SUBJECT TO CHANGE WITHOUT NOTICE.



TITLE: NetShelter SX 12U 600mm WIDE x 1070mm DEEP SERVER RACK ENCLOSURE WITH SIDES GENERAL ARRANGEMENT
PROJECT: SUBMITTAL DRAWINGS SHEET 1 OF 3

DWG NO: AR3103
DRAWN BY: JAYAPRAKASH 17-MAY-19
ENGINEER: Jimxin REN 20-MAY-19
APPROVED BY: TBD 20-MAY-19

REV: 0
FIRST ANGLE PROJECTION



- NOTES:
1. INSTALLATION SHALL COMPLY WITH ALL APPLICABLE NATIONAL, STATE AND LOCAL ELECTRICAL REGULATIONS.
 2. REFER TO PRODUCT DOCUMENTATION FOR ADDITIONAL DETAILS PRIOR TO INSTALLATION AND SITE PREPARATION WORK.
 3. ALL DIMENSIONS ARE IN MILLIMETERS [INCHES].

THIS DRAWING AND SPECIFICATIONS HEREIN ARE THE PROPERTY OF SCHNEIDER ELECTRIC AND SHALL NOT BE COPIED, REPRODUCED OR USED IN WHOLE OR IN PART, AS THE BASIS FOR THE MANUFACTURE OR SALE OF ITEMS WITHOUT WRITTEN PERMISSION FROM SCHNEIDER ELECTRIC. THIS DRAWING IS BASED UPON LATEST AVAILABLE INFORMATION AND IS SUBJECT TO CHANGE WITHOUT NOTICE.

**Schneider
Electric**

TITLE:
NetShelter SX 12U
SERVER RACK ENCLOSURE WITH SIDES
TOP VIEW & SECTION VIEW

PROJECT: SUBMITTAL DRAWINGS SHEET 2 OF 3

DWG NO: AR3103

DRAWN BY: JAYAPRAKASH 17-MAY-19

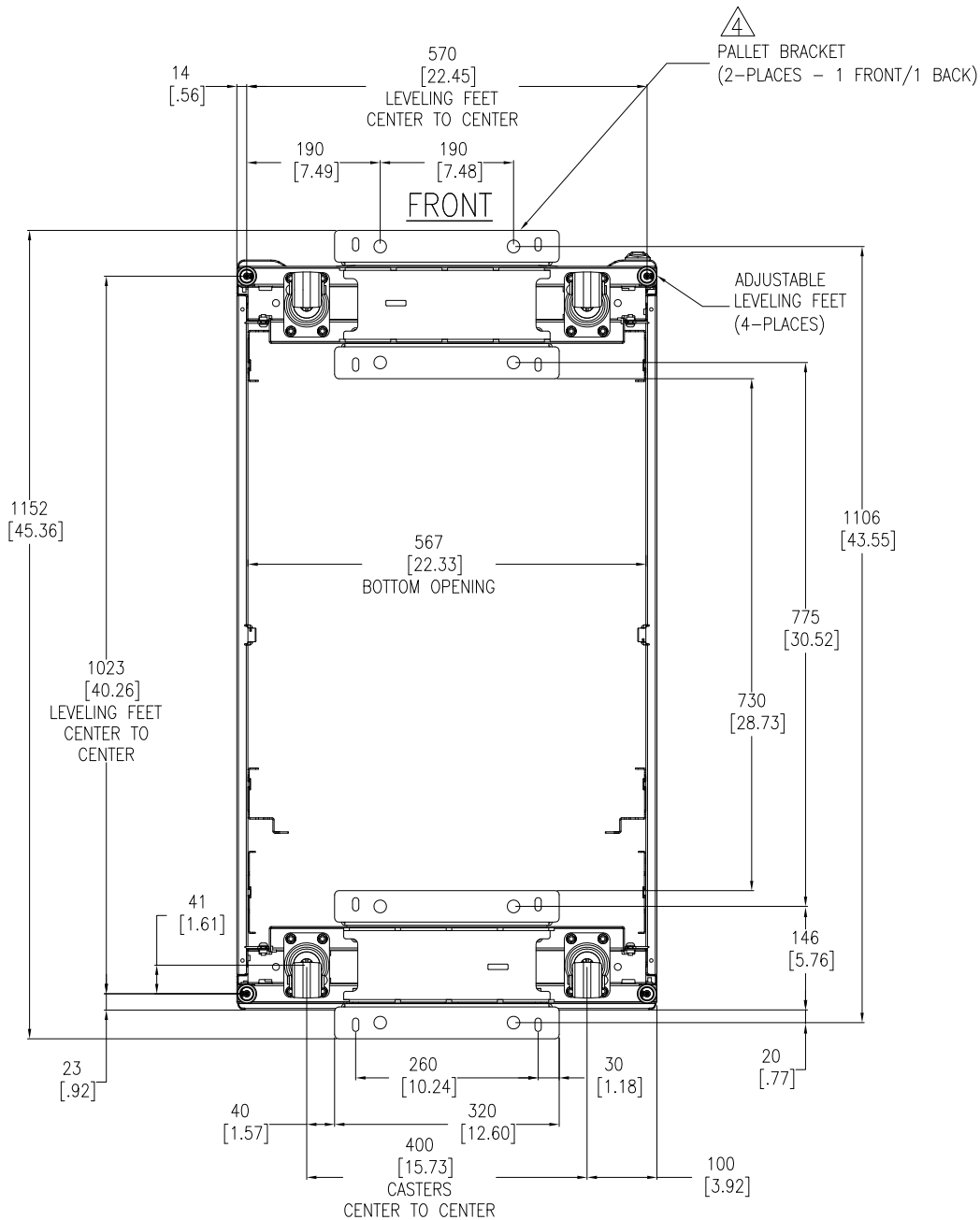
ENGINEER: Jinxin REN 20-MAY-19

APPROVED BY: TBD 20-MAY-19

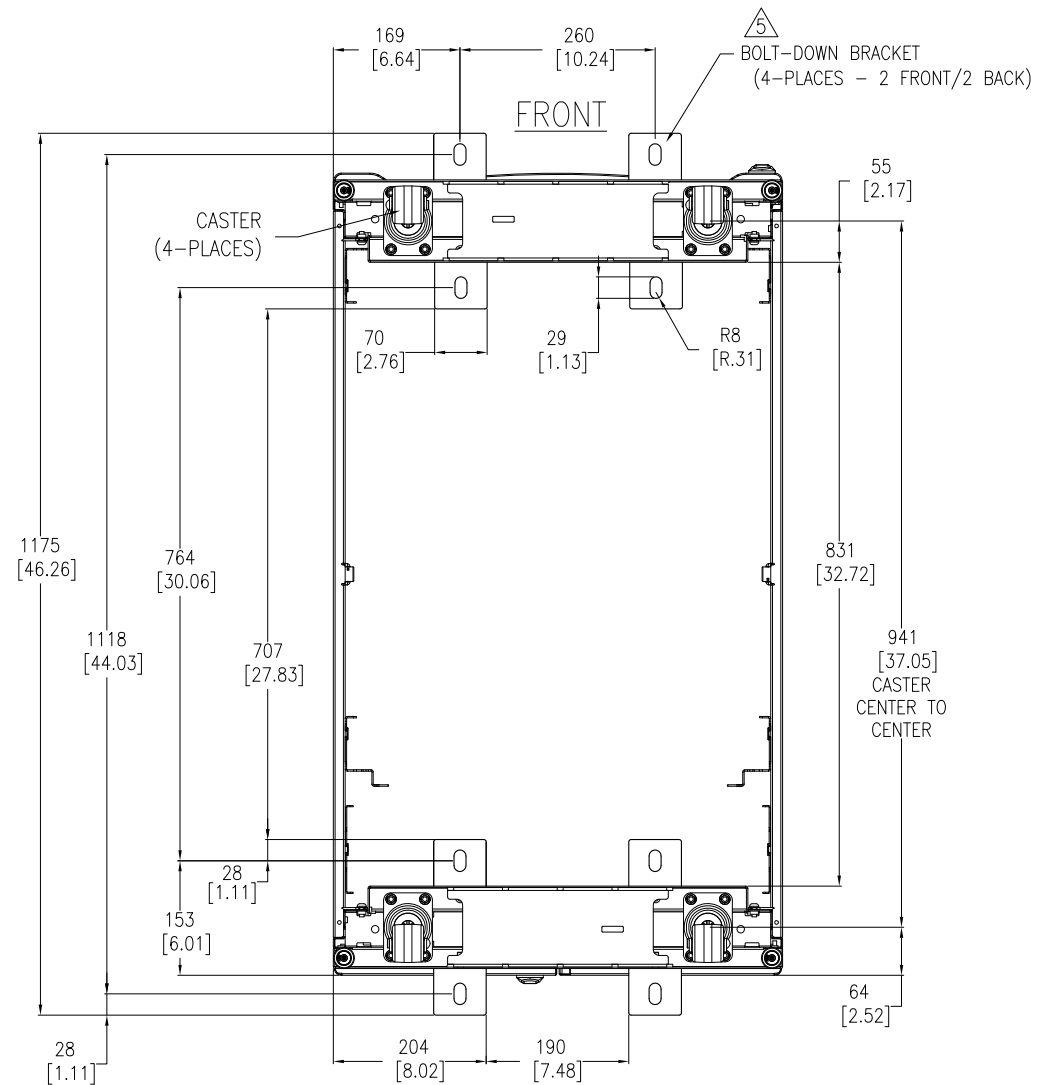
REV: 0

FIRST ANGLE

PROJECTION



BOTTOM VIEW - TOP ROOF NOT SHOWN
(WITH PALLET BRACKETS, CAN BE USED FOR ANCHORING)



BOTTOM VIEW -TOP ROOF NOT SHOWN
(WITH OPTIONAL BOLT-DOWN BRACKETS FOR ANCHORING)

- NOTES:
1. INSTALLATION SHALL COMPLY WITH ALL APPLICABLE NATIONAL, STATE AND LOCAL ELECTRICAL REGULATIONS.
 2. REFER TO PRODUCT DOCUMENTATION FOR ADDITIONAL DETAILS PRIOR TO INSTALLATION AND SITE PREPARATION WORK.
 3. ALL DIMENSIONS ARE IN MILLIMETERS [INCHES].
 4. ANCHORING CAN BE INSTALLED EITHER INSIDE OR OUTSIDE THE NetShelter WITH ONE AT FRONT AND ONE IN BACK.
 5. BOLT-DOWN KIT (SKU# AR7701) IS OPTIONAL AND HAS TO BE ORDERED SEPARATELY.

THIS DRAWING AND SPECIFICATIONS HEREIN ARE THE PROPERTY OF SCHNEIDER ELECTRIC AND SHALL NOT BE COPIED, REPRODUCED OR USED IN WHOLE OR IN PART, AS THE BASIS FOR THE MANUFACTURE OR SALE OF ITEMS WITHOUT WRITTEN PERMISSION FROM SCHNEIDER ELECTRIC. THIS DRAWING IS BASED UPON LATEST AVAILABLE INFORMATION AND IS SUBJECT TO CHANGE WITHOUT NOTICE.



TITLE: NetShelter SX 12U
600mm WIDE x 1070mm DEEP
SERVER RACK ENCLOSURE WITH SIDES
BOTTOM VIEWS & ANCHORING DETAILS
PROJECT: SUBMITTAL DRAWINGS SHEET 3 OF 3

DWG NO: AR3103 REV: 0
DRAWN BY: JAYAPRAKASH 17-MAY-19 FIRST ANGLE PROJECTION
ENGINEER: Jinxin REN 20-MAY-19
APPROVED BY: TBD 20-MAY-19