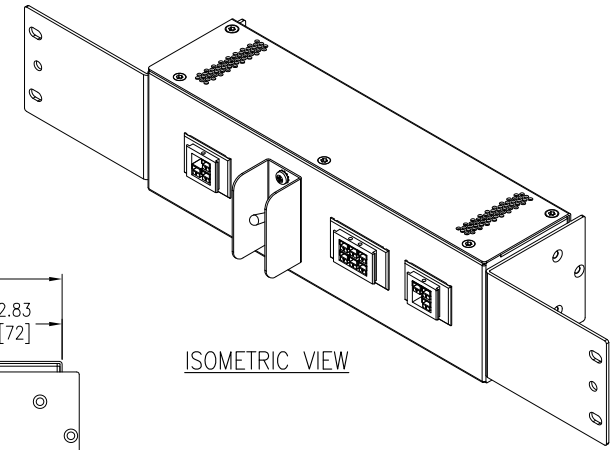
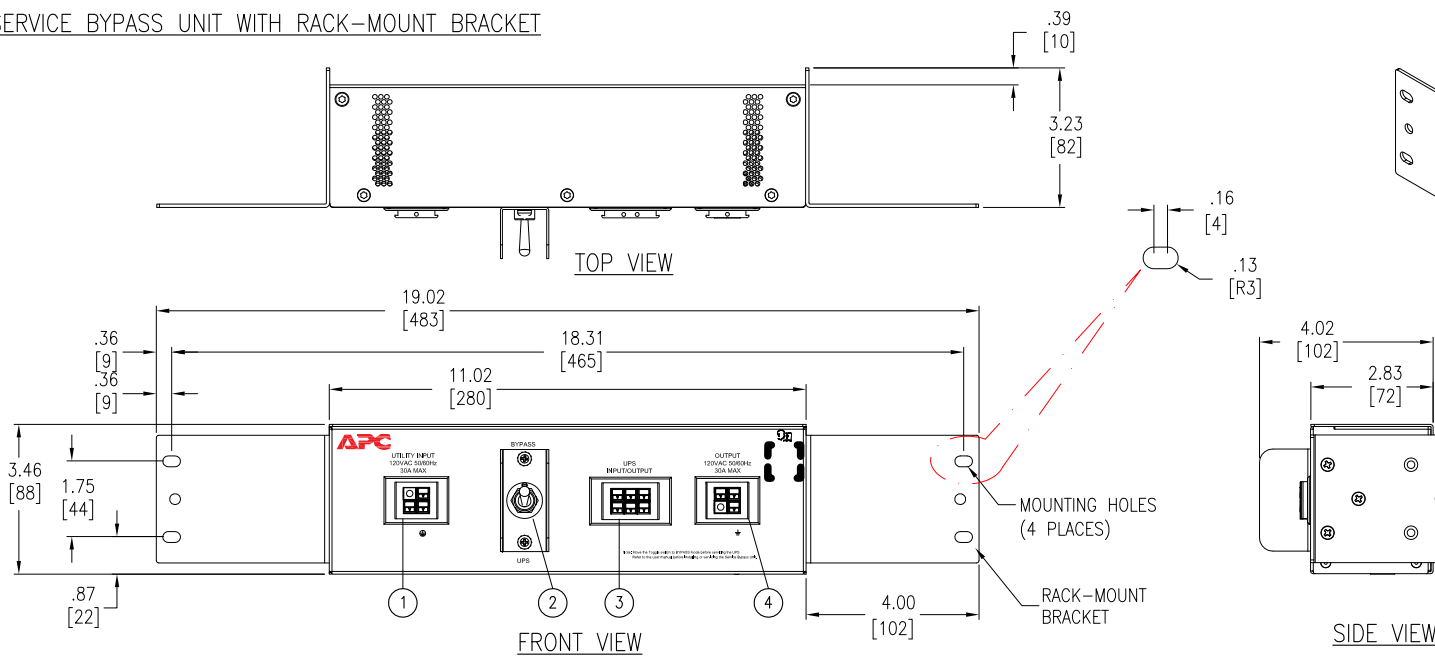


SERVICE BYPASS UNIT WITH RACK-MOUNT BRACKET

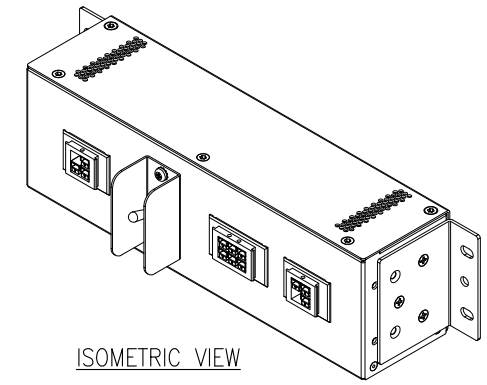
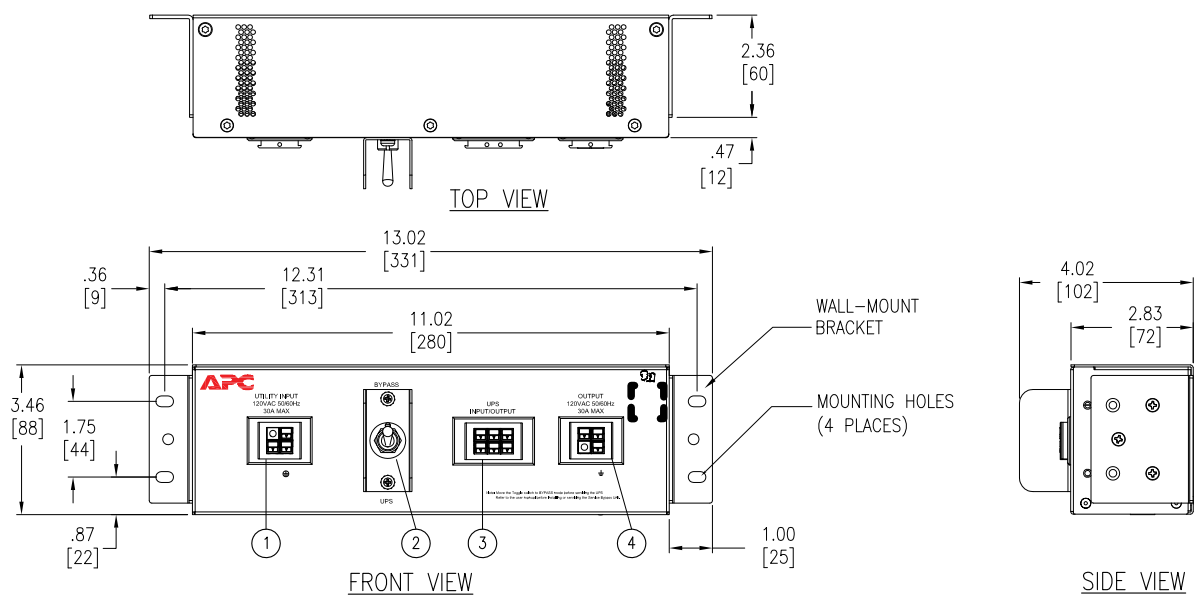


ISOMETRIC VIEW

SIDE VIEW

- ① UTILITY INPUT CONNECTOR.
- ② BYPASS/UPS SWITCH.
- ③ UPS INPUT AND OUTPUT POWER CONNECTOR.
- ④ OUTPUT CONNECTOR

SERVICE BYPASS UNIT WITH WALL-MOUNT BRACKET



ISOMETRIC VIEW

SIDE VIEW

NOTES:

1. INSTALLATION SHALL COMPLY WITH ALL APPLICABLE NATIONAL, STATE AND LOCAL CODES.
2. REFER TO PRODUCT DOCUMENTATION FOR ADDITIONAL DETAILS PRIOR TO INSTALLATION AND SITE PREPARATION WORK.
3. ALL DIMENSIONS ARE IN INCHES [MILLIMETERS].
4. WEIGHT OF UNIT IS 2.75 lb [1.25 kg].
5. MOUNTING BRACKETS ARE SHIPPED ALONG WITH THE SKU.

THIS DRAWING AND SPECIFICATIONS HEREIN ARE THE PROPERTY OF SCHNEIDER ELECTRIC AND SHALL NOT BE COPIED, REPRODUCED OR USED IN WHOLE OR IN PART, AS THE BASIS FOR THE MANUFACTURE OR SALE OF ITEMS WITHOUT WRITTEN PERMISSION FROM SCHNEIDER ELECTRIC. THIS DRAWING IS BASED UPON LATEST AVAILABLE INFORMATION AND IS SUBJECT TO CHANGE WITHOUT NOTICE.



**TITLE:**  
SecureUPS Service Bypass Unit, 2U  
INPUT: 1PH, 120V, 30A, 50/60Hz  
OUTPUT: 1PH, 120V, 50/605Hz  
GENERAL ARRANGEMENT-RACK/WALL MOUNTING

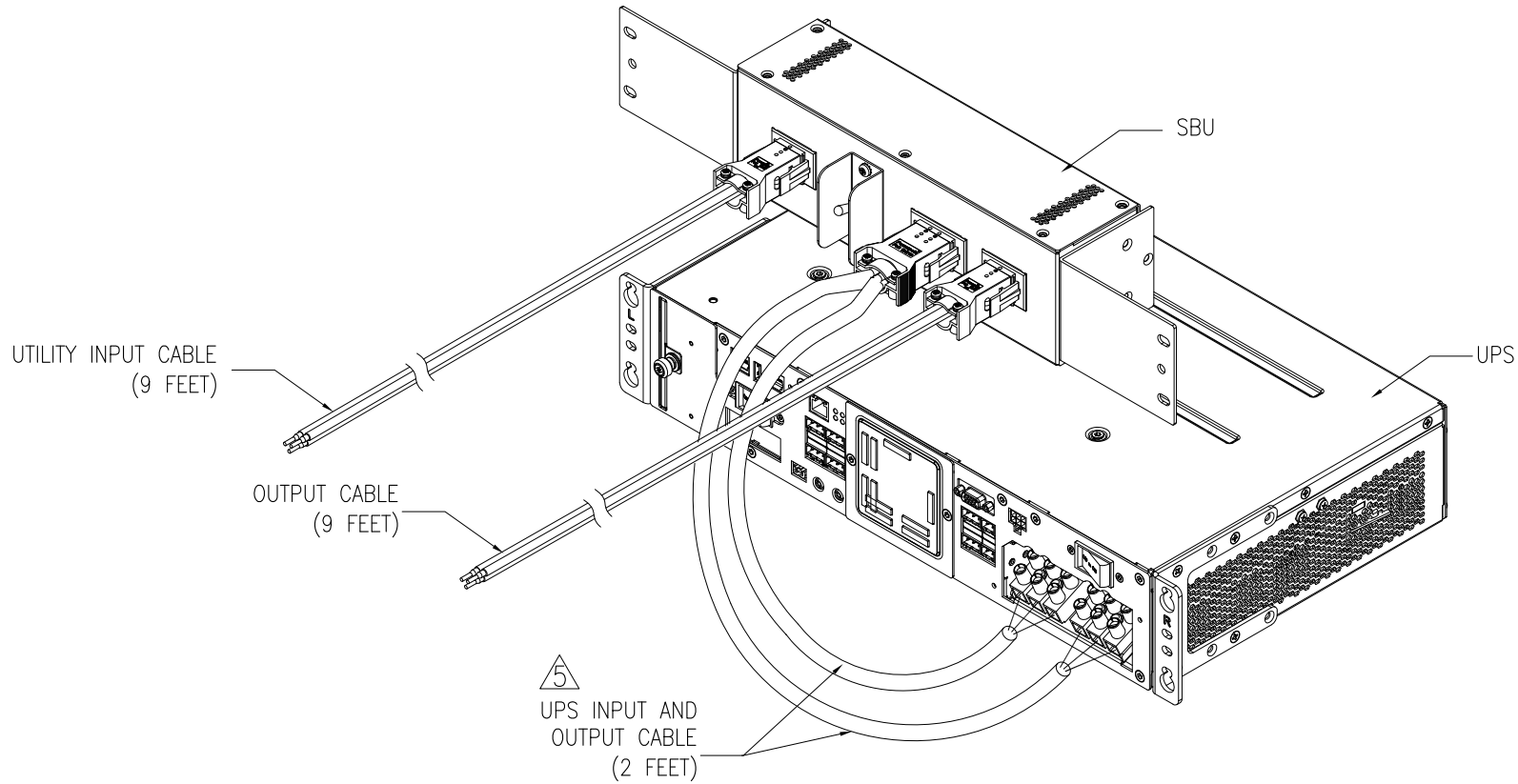
**PROJECT:** SUBMITTAL DRAWING **SHEET 1 OF 2**

**DWG NO:** XS30ALLXXR2 **REV.** 0

**DRAWN BY:** JAYAPRAKASH 05-FEB-19 **THIRD**  
**ENGINEER:** SANTHOSH 08-FEB-19 **ANGLE**  
**APPROVED BY:** N HORSTBRINK/G PATER 08-FEB-19 **PROJECTION**

# UPS INPUT AND OUTPUT CABLE CONNECTION

(TYPICAL ARRANGEMENT FOR RACK-MOUNT IS SHOWN FOR ILLUSTRATION)



## NOTES:

1. INSTALLATION SHALL COMPLY WITH ALL APPLICABLE NATIONAL, STATE AND LOCAL CODES.
2. REFER TO PRODUCT DOCUMENTATION FOR ADDITIONAL DETAILS PRIOR TO INSTALLATION AND SITE PREPARATION WORK.
3. ALL DIMENSIONS ARE IN INCHES [MILLIMETERS].
4. UTILITY INPUT CABLE, OUTPUT CABLE, UPS INPUT & OUTPUT CABLE ARE SHIPPED ALONG WITH THE SKU.
- △5. A 7 FEET LONG UPS INPUT & OUTPUT CABLE IS ALSO SHIPPED WITH THE UNIT. IF EXTENSION IS REQUIRED, CONNECT THIS CABLE WITH THE 2 FEET UPS INPUT & OUTPUT CABLE.

THIS DRAWING AND SPECIFICATIONS HEREIN ARE THE PROPERTY OF SCHNEIDER ELECTRIC AND SHALL NOT BE COPIED, REPRODUCED OR USED IN WHOLE OR IN PART, AS THE BASIS FOR THE MANUFACTURE OR SALE OF ITEMS WITHOUT WRITTEN PERMISSION FROM SCHNEIDER ELECTRIC. THIS DRAWING IS BASED UPON LATEST AVAILABLE INFORMATION AND IS SUBJECT TO CHANGE WITHOUT NOTICE.

**Schneider**  
Electric

TITLE:  
SecureUPS Service Bypass Unit, 2U  
INPUT: 1PH, 120V, 30A, 50/60Hz  
OUTPUT: 1PH, 120V, 50/60Hz  
CABLE CONNECTION

PROJECT: SUBMITTAL DRAWING SHEET 2 OF 2

DWG NO:	XS30ALLXR2	REV:	0
DRAWN BY:	JAYAPRAKASH	05-FEB-19	THIRD
ENGINEER:	SANTHOSH	08-FEB-19	ANGLE
APPROVED BY:	N HORSTBRINK/G PATER	08-FEB-19	PROJECTION