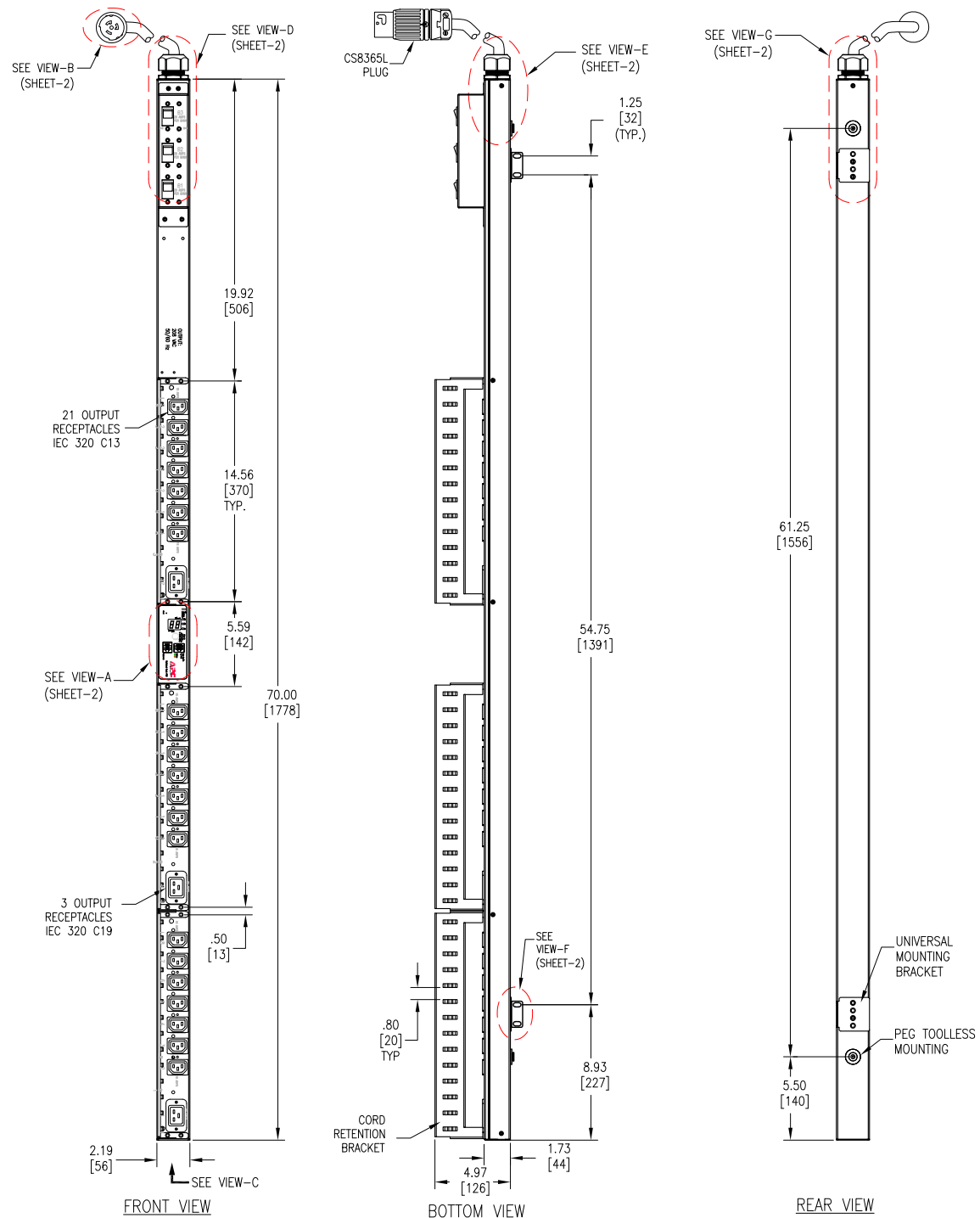


ISOMETRIC VIEW



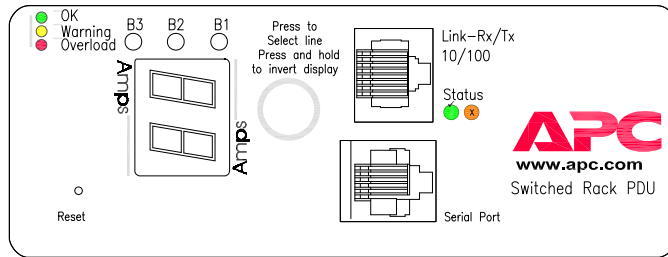
- NOTES:
1. INSTALLATION SHALL COMPLY WITH ALL APPLICABLE NATIONAL, STATE AND LOCAL ELECTRICAL REGULATIONS.
 2. REFER TO PRODUCT DOCUMENTATION FOR ADDITIONAL DETAILS PRIOR TO INSTALLATION AND SITE PREPARATION WORK
 3. ALL DIMENSIONS ARE IN INCHES [MILLIMETERS].
 4. NET WEIGHT OF UNIT IS 17.78 lb [8.08kg].
 5. LENGTH OF INPUT CORD IS 36 Inches [914mm].
 6. UNIVERSAL MOUNTING BRACKET IS AN ALTERNATIVE MOUNTING METHOD TO THE TOOLLESS MOUNT FOR NON APC RACKS.
 7. BRACKET KITS TO MOUNT TO SPECIFIC COMPETITORS RACKS ARE AVAILABLE AS OPTIONS.

THIS DRAWING AND SPECIFICATIONS HEREIN ARE THE PROPERTY OF SCHNEIDER ELECTRIC AND SHALL NOT BE COPIED, REPRODUCED OR USED IN WHOLE OR IN PART, AS THE BASIS FOR THE MANUFACTURE OR SALE OF ITEMS WITHOUT WRITTEN PERMISSION FROM SCHNEIDER ELECTRIC. THIS DRAWING IS BASED UPON LATEST AVAILABLE INFORMATION AND IS SUBJECT TO CHANGE WITHOUT NOTICE.

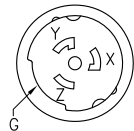


TITLE: RACK PDU, SWITCHED ZERO U, 12.5kW, 208V
 INPUT: CS8365L
 OUTPUT: (21)IEC 320 C13, (3)IEC 320 C19
 GENERAL ARRANGEMENT
 PROJECT: DRAWINGS SHEET 1 OF 2

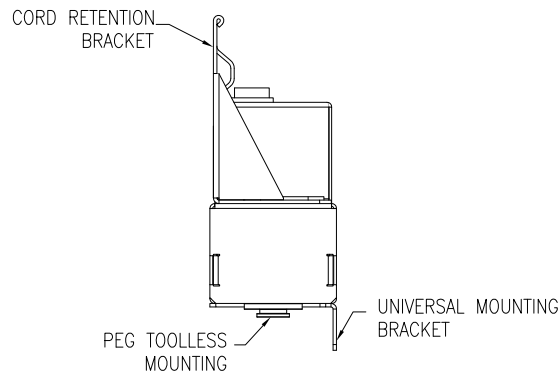
DWG NO:	AP7968B	REV:	0
DRAWN BY:	JAYAPRAKASH	DATE:	24-AUG-16
ENGINEER:	KATIE RICK	DATE:	07-DEC-16
APPROVED BY:	KATIE RICK	DATE:	07-DEC-16
			THIRD ANGLE PROJECTION



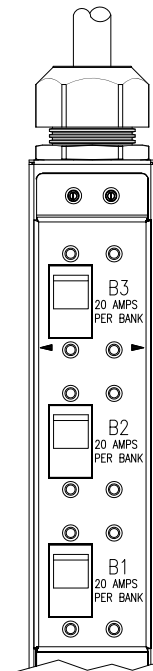
VIEW-A (DISPLAY INTERFACE-ENLARGED)



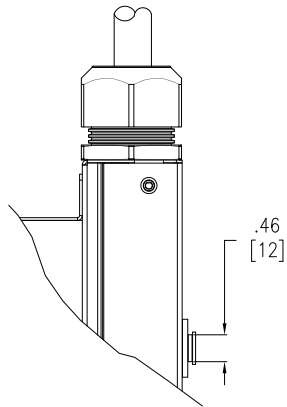
VIEW-B
(CONNECTOR FACE VIEW
CS8365L PLUG-ENLARGED)



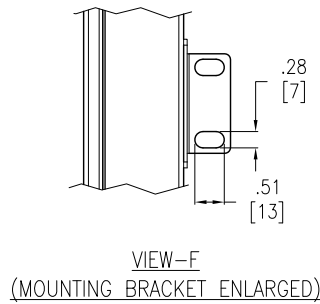
VIEW-C (ENLARGED)



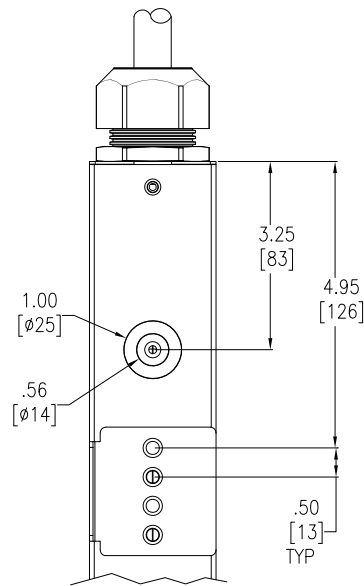
VIEW-D (ENLARGED)



VIEW-E (ENLARGED)



VIEW-F
(MOUNTING BRACKET ENLARGED)



VIEW-G (ENLARGED)

NOTES:

1. INSTALLATION SHALL COMPLY WITH ALL APPLICABLE NATIONAL, STATE AND LOCAL ELECTRICAL REGULATIONS..
2. REFER TO PRODUCT DOCUMENTATION FOR ADDITIONAL DETAILS PRIOR TO INSTALLATION AND SITE PREPARATION WORK
3. ALL DIMENSIONS ARE IN INCHES [MILLIMETERS].

THIS DRAWING AND SPECIFICATIONS HEREIN ARE THE PROPERTY OF SCHNEIDER ELECTRIC AND SHALL NOT BE COPIED, REPRODUCED OR USED IN WHOLE OR IN PART, AS THE BASIS FOR THE MANUFACTURE OR SALE OF ITEMS WITHOUT WRITTEN PERMISSION FROM SCHNEIDER ELECTRIC. THIS DRAWING IS BASED UPON LATEST AVAILABLE INFORMATION AND IS SUBJECT TO CHANGE WITHOUT NOTICE.



TITLE: RACK PDU, SWITCHED ZERO U, 12.5KW, 208V INPUT: CS8365L OUTPUT: (21)IEC 320 C13, (3)IEC 320 C19 VIEW - DETAILS
PROJECT: SUBMITTAL DRAWINGS SHEET 2 OF 2

DWG NO:	AP7968B	REV:	0
DRAWN BY:	JAYAPRAKASH	DATE:	24-AUG-16
ENGINEER:	KATIE RICK	DATE:	07-DEC-16
APPROVED BY:	KATIE RICK	DATE:	07-DEC-16
			THIRD ANGLE PROJECTION