

**NOTES:**

1. INSTALLATION SHALL COMPLY WITH ALL APPLICABLE NATIONAL, STATE AND LOCAL ELECTRICAL REGULATIONS.
2. REFER TO PRODUCT DOCUMENTATION FOR ADDITIONAL DETAILS PRIOR TO INSTALLATION AND SITE PREPARATION WORK
3. ALL DIMENSIONS ARE IN INCHES [MILLIMETERS].
4. NET WEIGHT OF UNIT IS 9.90 lb [4.50kg].
- △ 5. LENGTH OF POWER CORD IS 144 Inches [3658mm].

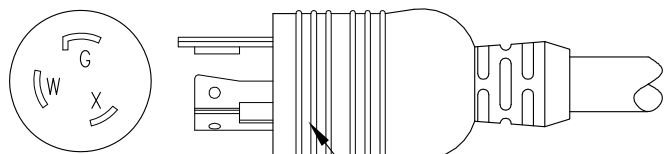
THIS DRAWING AND SPECIFICATIONS HEREIN ARE THE PROPERTY OF SCHNEIDER ELECTRIC AND SHALL NOT BE COPIED, REPRODUCED OR USED IN WHOLE OR IN PART, AS THE BASIS FOR THE MANUFACTURE OR SALE OF ITEMS WITHOUT WRITTEN PERMISSION FROM SCHNEIDER ELECTRIC. THIS DRAWING IS BASED UPON LATEST AVAILABLE INFORMATION AND IS SUBJECT TO CHANGE WITHOUT NOTICE.



**TITLE:**  
 RACK PDU, SWITCHED, 2U  
 INPUT: 120VAC, 30A, NEMA L5-30P  
 OUTPUT: (16) NEMA 5-20R  
 GENERAL ARRANGEMENT

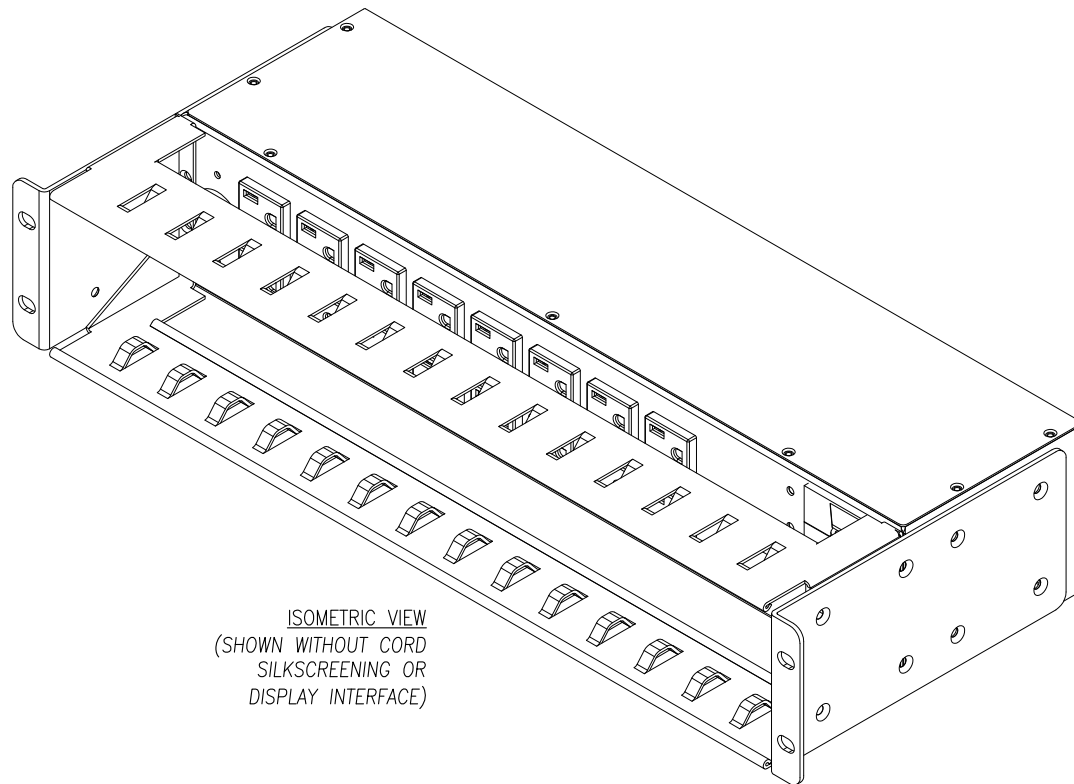
**PROJECT:** DRAWINGS **SHEET** 1 OF 2

|                     |             |             |            |
|---------------------|-------------|-------------|------------|
| <b>DWG NO:</b>      | AP7902B     | <b>REV.</b> | 0          |
| <b>DRAWN BY:</b>    | JAYAPRAKASH | 24-AUG-16   | THIRD      |
| <b>ENGINEER:</b>    | KATIE RICK  | 6-DEC-16    | ANGLE      |
| <b>APPROVED BY:</b> | KATIE RICK  | 6-DEC-16    | PROJECTION |

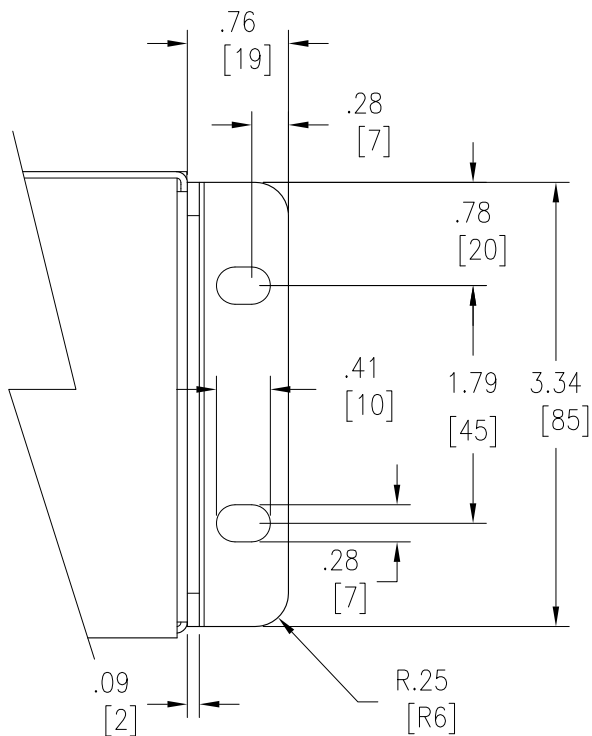


NEMA L5-30P

VIEW A

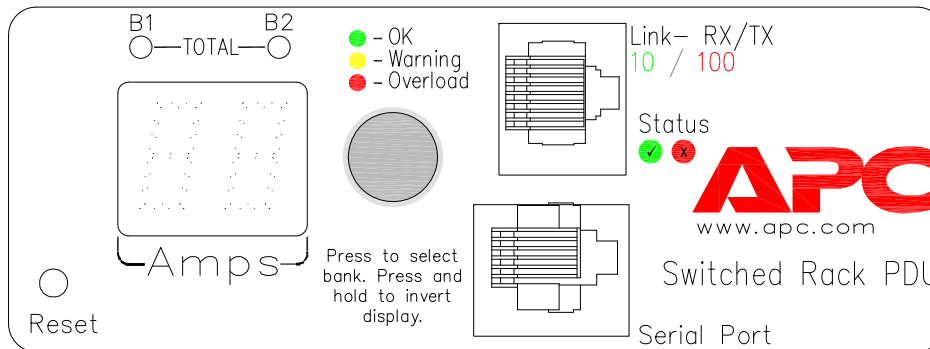


ISOMETRIC VIEW  
(SHOWN WITHOUT CORD  
SILKSCREENING OR  
DISPLAY INTERFACE)



VIEW C

MOUNTING PLATE DETAIL



VIEW B (DISPLAY INTERFACE-ENLARGED)

NOTES:

1. INSTALLATION SHALL COMPLY WITH ALL APPLICABLE NATIONAL, STATE AND LOCAL CODES.
2. REFER TO PRODUCT DOCUMENTATION FOR ADDITIONAL DETAILS PRIOR TO INSTALLATION AND SITE PREPARATION WORK.

THIS DRAWING AND SPECIFICATIONS HEREIN ARE THE PROPERTY OF SCHNEIDER ELECTRIC AND SHALL NOT BE COPIED, REPRODUCED OR USED IN WHOLE OR IN PART, AS THE BASIS FOR THE MANUFACTURE OR SALE OF ITEMS WITHOUT WRITTEN PERMISSION FROM SCHNEIDER ELECTRIC. THIS DRAWING IS BASED UPON LATEST AVAILABLE INFORMATION AND IS SUBJECT TO CHANGE WITHOUT NOTICE.



TITLE:  
RACK PDU, SWITCHED, 2U  
INPUT: 120VAC, 30A, NEMA L5-30P  
OUTPUT: (16) NEMA 5-20R  
ISOMETRIC & DETAIL VIEWS

PROJECT: DRAWINGS SHEET 2 OF 2

|              |             |           |            |
|--------------|-------------|-----------|------------|
| DWG NO:      | AP7902B     | REV:      | 0          |
| DRAWN BY:    | JAYAPRAKASH | 24-AUG-16 | THIRD      |
| ENGINEER:    | KATIE RICK  | 6-DEC-16  | ANGLE      |
| APPROVED BY: | KATIE RICK  | 6-DEC-16  | PROJECTION |