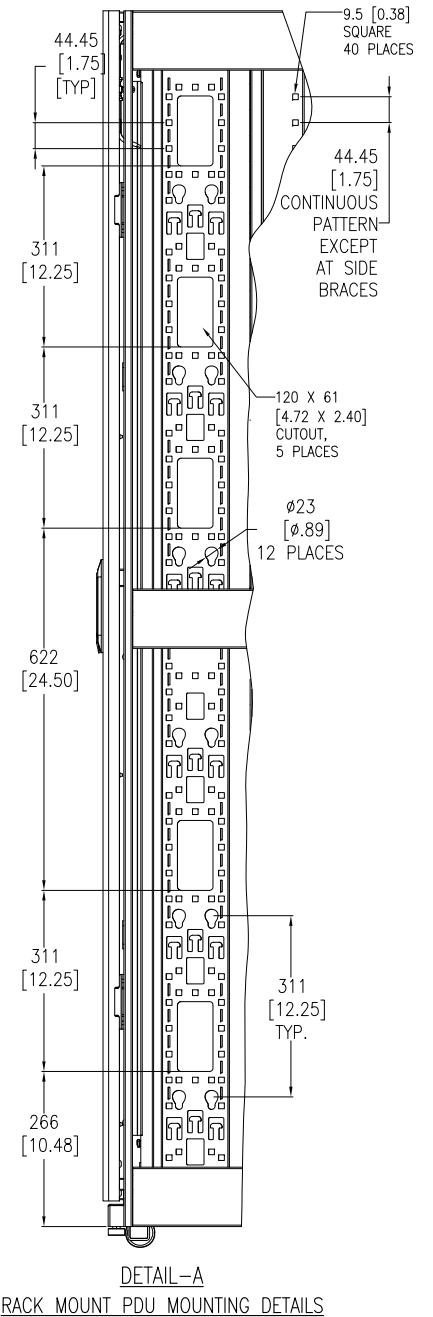


**NOTES:**

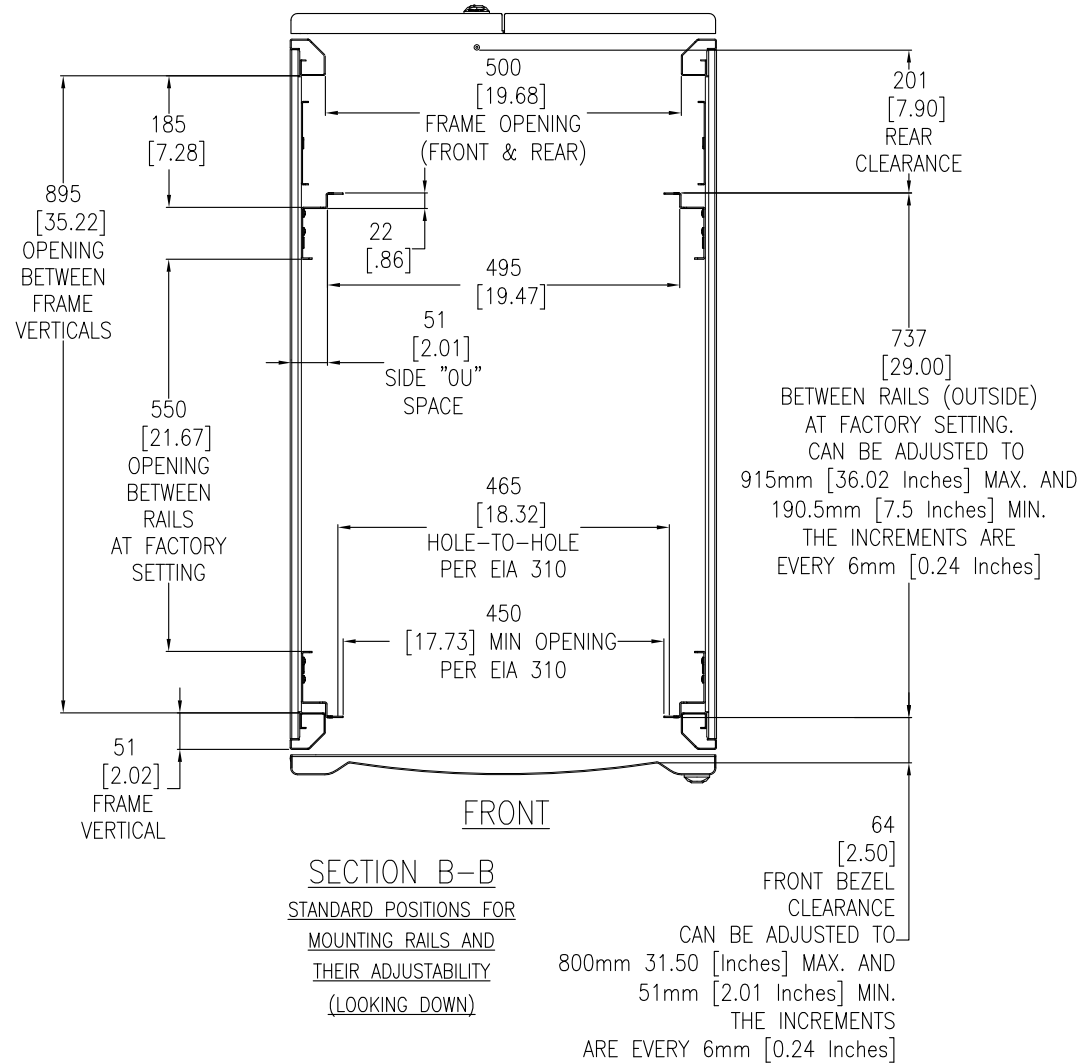
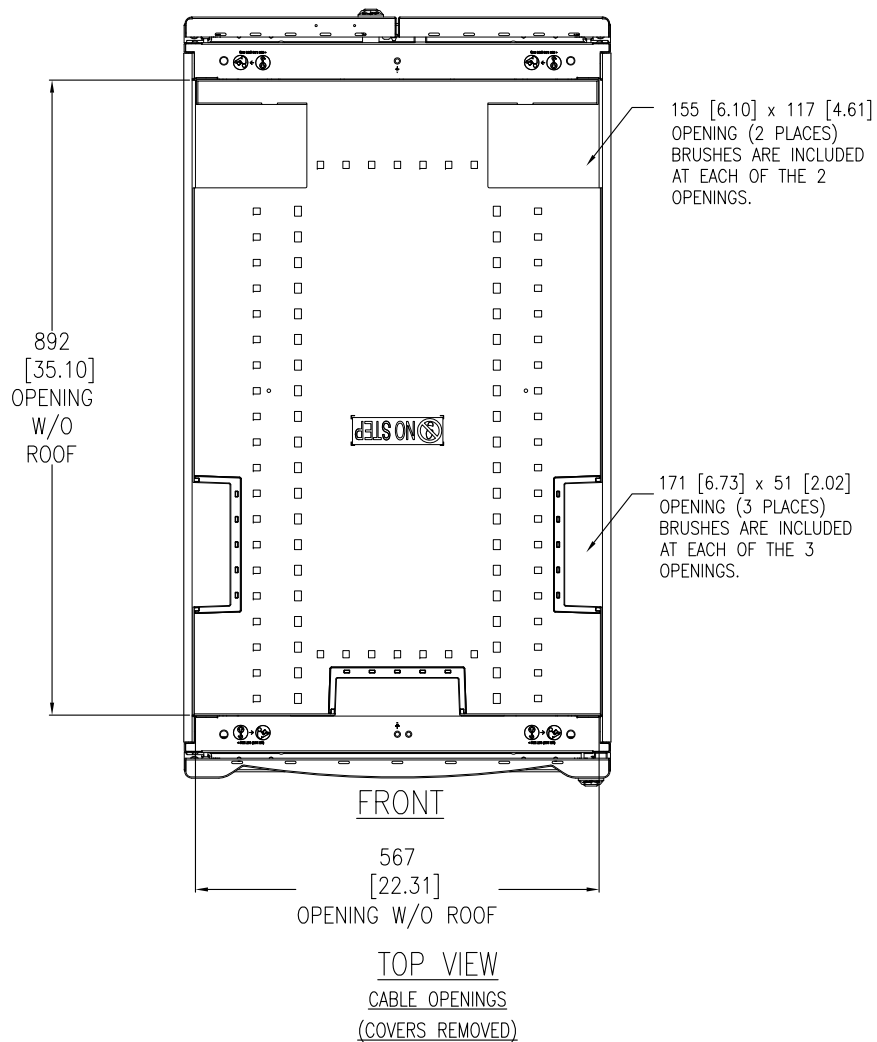
1. INSTALLATION SHALL COMPLY WITH ALL APPLICABLE NATIONAL, STATE AND LOCAL ELECTRICAL REGULATIONS.
2. REFER TO PRODUCT DOCUMENTATION FOR ADDITIONAL DETAILS PRIOR TO INSTALLATION AND SITE PREPARATION WORK.
3. ALL DIMENSIONS ARE IN MILLIMETERS [INCHES].
4. NET WEIGHT OF UNIT IS 137Kg [301.4 lb].
5. CABLE ENTRY IS TOP OR BOTTOM OF THE UNIT.
6. FRONT AND REAR SERVICE ACCESS REQUIRED.
7. AIR FLOW AND SERVICE REQUIREMENTS, AS WELL AS MINIMUM CLEARANCE TO FIRE SUPPRESSION SYSTEMS SHOULD BE CONSIDERED WHEN LOCATING THE ENCLOSURE.



THIS DRAWING AND SPECIFICATIONS HEREIN ARE THE PROPERTY OF SCHNEIDER ELECTRIC AND SHALL NOT BE COPIED, REPRODUCED OR USED IN WHOLE OR IN PART, AS THE BASIS FOR THE MANUFACTURE OR SALE OF ITEMS WITHOUT WRITTEN PERMISSION FROM SCHNEIDER ELECTRIC. THIS DRAWING IS BASED UPON LATEST AVAILABLE INFORMATION AND IS SUBJECT TO CHANGE WITHOUT NOTICE.



TITLE:	NetShelter SX 45U 600mm WIDE X 1070mm DEEP ENCLOSURE WITH SIDES GENERAL ARRANGEMENT	DWG NO:	AR3105	REV:	1
PROJECT:	SUBMITTAL DRAWINGS	DRAWN BY:	JAYAPRAKASH	15-JUN-17	FIRST ANGLE PROJECTION
SHEET	1 OF 3	ENGINEER:	JIE ZHU	15-JUN-17	
		APPROVED BY:	GREG IVEY	15-JUN-17	



- NOTES:
1. INSTALLATION SHALL COMPLY WITH ALL APPLICABLE NATIONAL, STATE AND LOCAL ELECTRICAL REGULATIONS.
  2. REFER TO PRODUCT DOCUMENTATION FOR ADDITIONAL DETAILS PRIOR TO INSTALLATION AND SITE PREPARATION WORK.
  3. ALL DIMENSIONS ARE IN MILLIMETERS [INCHES].

THIS DRAWING AND SPECIFICATIONS HEREIN ARE THE PROPERTY OF SCHNEIDER ELECTRIC AND SHALL NOT BE COPIED, REPRODUCED OR USED IN WHOLE OR IN PART, AS THE BASIS FOR THE MANUFACTURE OR SALE OF ITEMS WITHOUT WRITTEN PERMISSION FROM SCHNEIDER ELECTRIC. THIS DRAWING IS BASED UPON LATEST AVAILABLE INFORMATION AND IS SUBJECT TO CHANGE WITHOUT NOTICE.



TITLE:  
NetShelter SX 45U  
600mm WIDE X 1070mm DEEP  
ENCLOSURE WITH SIDES  
TOP VIEW & SECTION VIEW

DWG NO: AR3105

REV. 1

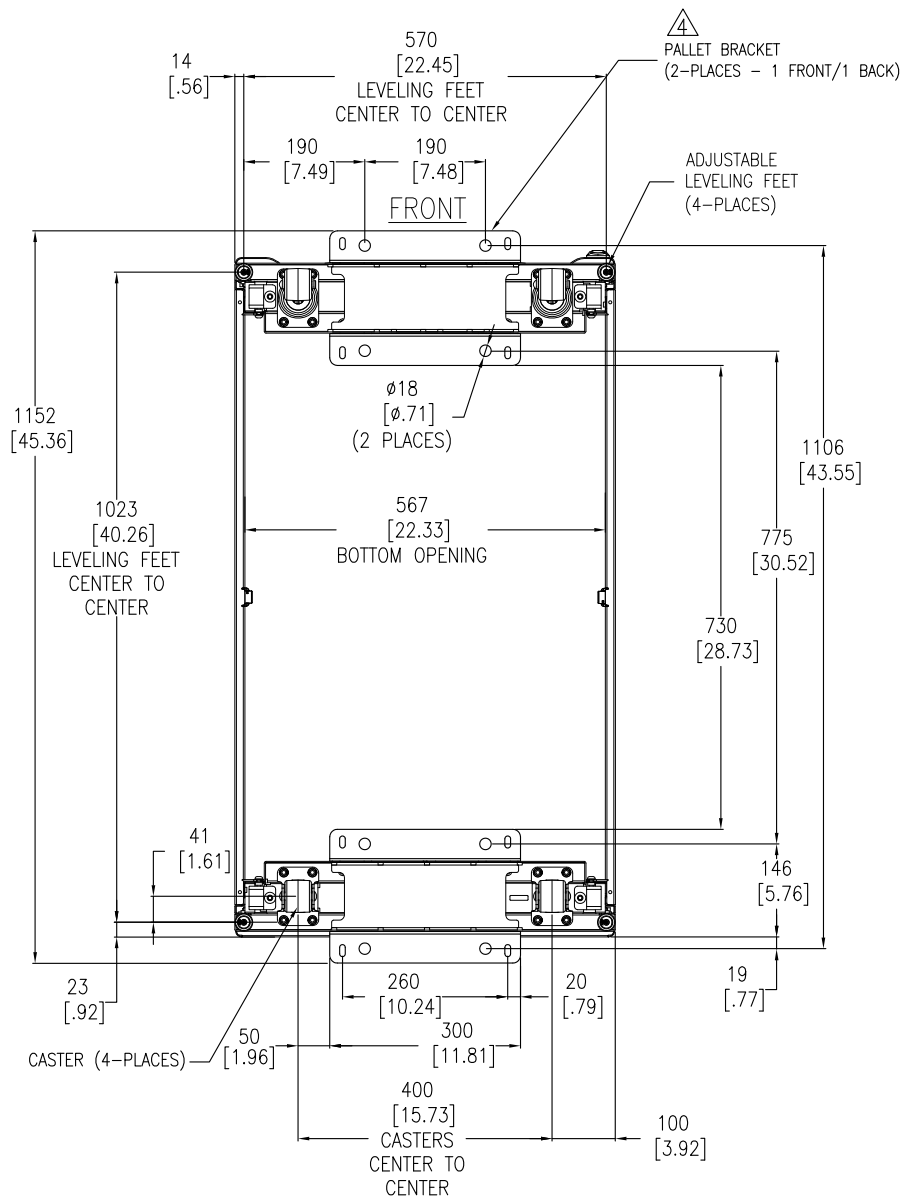
DRAWN BY: JAYAPRAKASH 15-JUN-17

ENGINEER: JIE ZHU 15-JUN-17

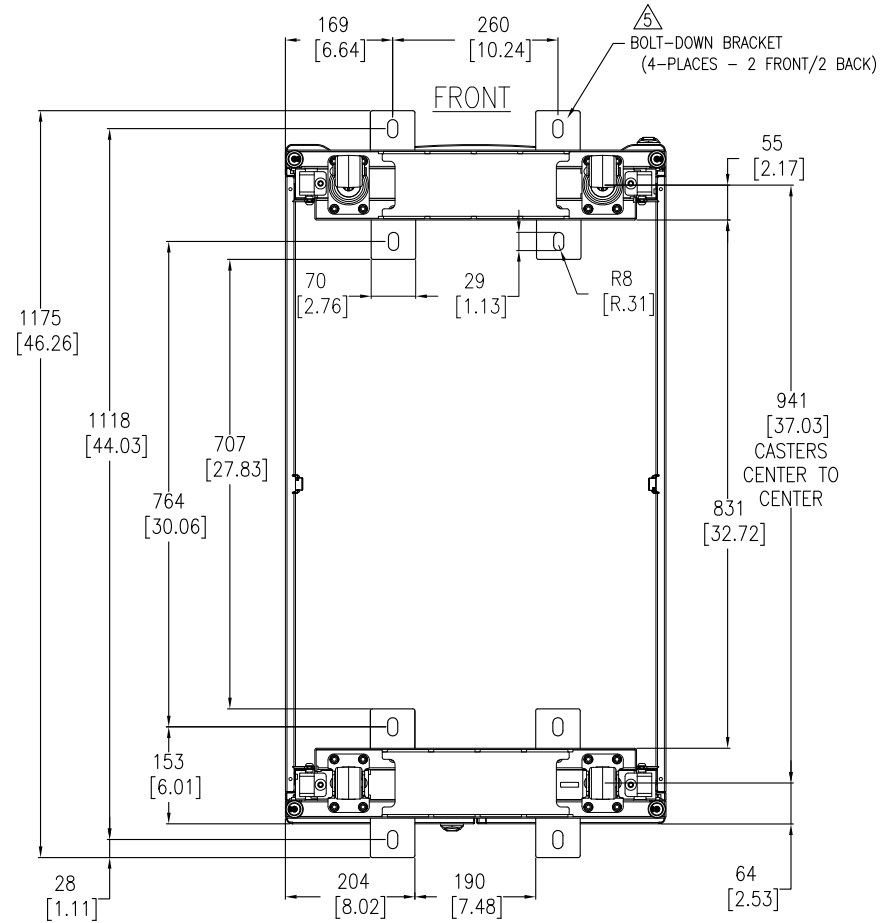
APPROVED BY: GREG IVEY 15-JUN-17

PROJECT: SUBMITTAL DRAWINGS SHEET 2 OF 3

FIRST ANGLE PROJECTION



**BOTTOM VIEW**  
 (WITH PALLET BRACKETS, CAN BE USED FOR ANCHORING)  
 TOP ROOF NOT SHOWN



**BOTTOM VIEW**  
 (WITH OPTIONAL BOLT-DOWN BRACKETS FOR ANCHORING)  
 TOP ROOF NOT SHOWN

**NOTES:**

1. INSTALLATION SHALL COMPLY WITH ALL APPLICABLE NATIONAL, STATE AND LOCAL ELECTRICAL REGULATIONS.
2. REFER TO PRODUCT DOCUMENTATION FOR ADDITIONAL DETAILS PRIOR TO INSTALLATION AND SITE PREPARATION WORK.
3. ALL DIMENSIONS ARE IN MILLIMETERS [INCHES].
- △4. ANCHORING CAN BE INSTALLED EITHER INSIDE OR OUTSIDE THE NetShelter WITH ONE AT FRONT AND ONE IN BACK.
- △5. BOLT-DOWN KIT (SKU# AR7701) IS OPTIONAL AND HAS TO BE ORDERED SEPARATELY.

THIS DRAWING AND SPECIFICATIONS HEREIN ARE THE PROPERTY OF SCHNEIDER ELECTRIC AND SHALL NOT BE COPIED, REPRODUCED OR USED IN WHOLE OR IN PART, AS THE BASIS FOR THE MANUFACTURE OR SALE OF ITEMS WITHOUT WRITTEN PERMISSION FROM SCHNEIDER ELECTRIC. THIS DRAWING IS BASED UPON LATEST AVAILABLE INFORMATION AND IS SUBJECT TO CHANGE WITHOUT NOTICE.



TITLE: NetShelter SX 45U  
 600mm WIDE X 1070mm DEEP  
 ENCLOSURE WITH SIDES  
 BOTTOM VIEWS

DWG NO:	AR3105	REV:	1
DRAWN BY:	JAYAPRAKASH	15-JUN-17	FIRST
ENGINEER:	JIE ZHU	15-JUN-17	ANGLE
APPROVED BY:	GREG IVEY	15-JUN-17	PROJECTION

PROJECT: SUBMITTAL DRAWINGS SHEET 3 OF 5