

NOTES:

1. INSTALLATION MUST COMPLY WITH NATIONAL AND LOCAL ELECTRICAL REGULATIONS.
2. ENCLOSURE CAN BE REVERSED TO ACCOMMODATE VARIOUS CONFIGURATION, SO THAT DOOR OPENS IN THE OPPOSITE DIRECTION. PLEASE REFER TO THE PRODUCT MANUALS FOR DETAILED INFORMATION.
3. ALL DIMENSIONS ARE IN MILLIMETERS [INCHES].
4. NET WEIGHT OF UNIT IS 42.73 Kg [94 LBS].
5. CABLE ENTRY IS TOP, BOTTOM OR SIDE OF UNIT.
6. AIR FLOW AND SERVICE REQUIREMENTS, AS WELL AS MINIMUM CLEARANCE TO FIRE SUPPRESSION SYSTEMS SHOULD BE CONSIDERED WHEN LOCATING THE ENCLOSURE.

THIS DRAWING AND SPECIFICATIONS HEREIN ARE THE PROPERTY OF SCHNEIDER ELECTRIC AND SHALL NOT BE COPIED, REPRODUCED OR USED IN WHOLE OR IN PART, AS THE BASIS FOR THE MANUFACTURE OR SALE OF ITEMS WITHOUT WRITTEN PERMISSION FROM SCHNEIDER ELECTRIC. THIS DRAWING IS BASED UPON LATEST AVAILABLE INFORMATION AND IS SUBJECT TO CHANGE WITHOUT NOTICE.



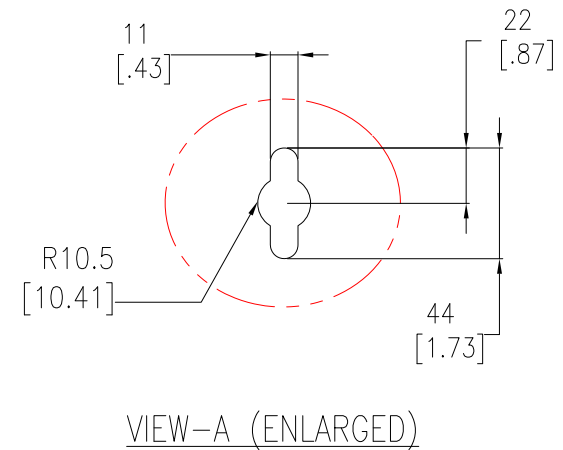
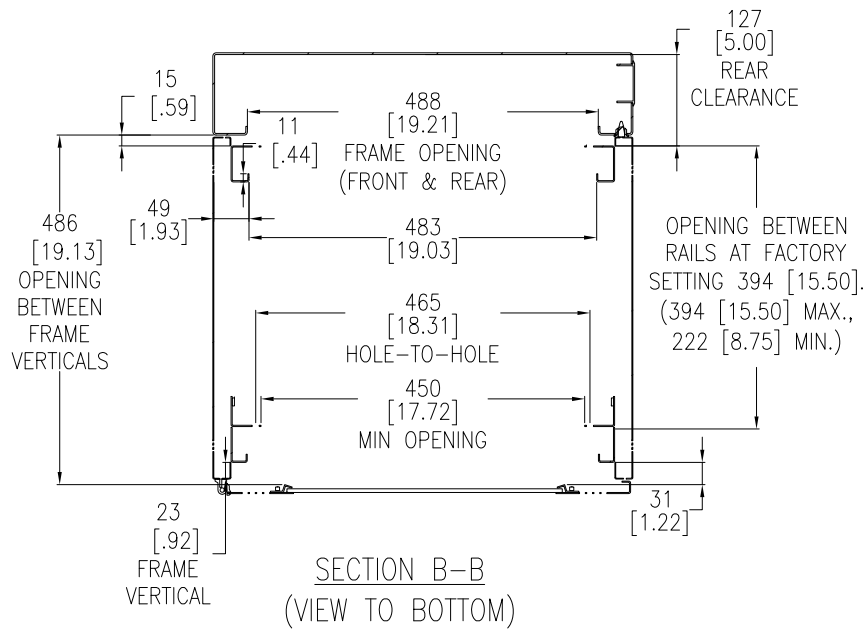
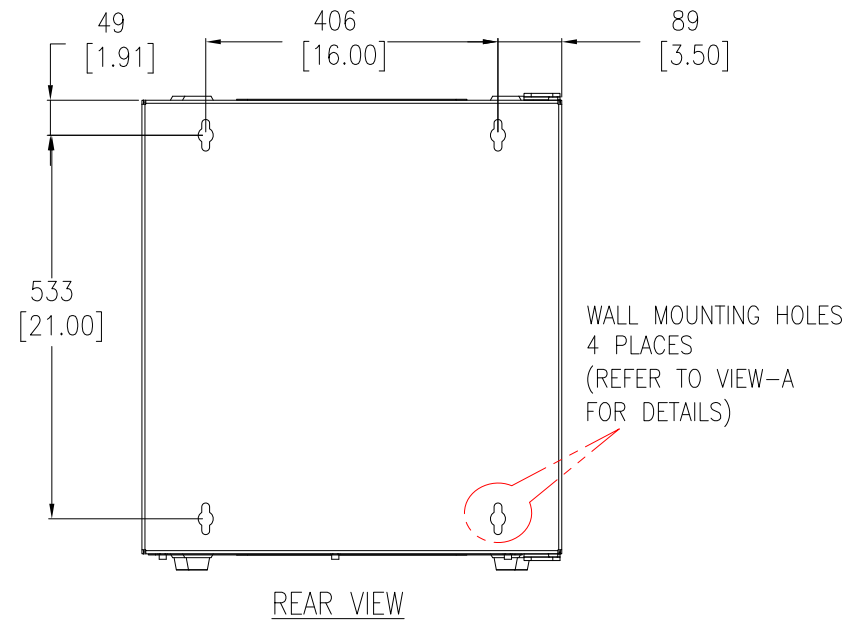
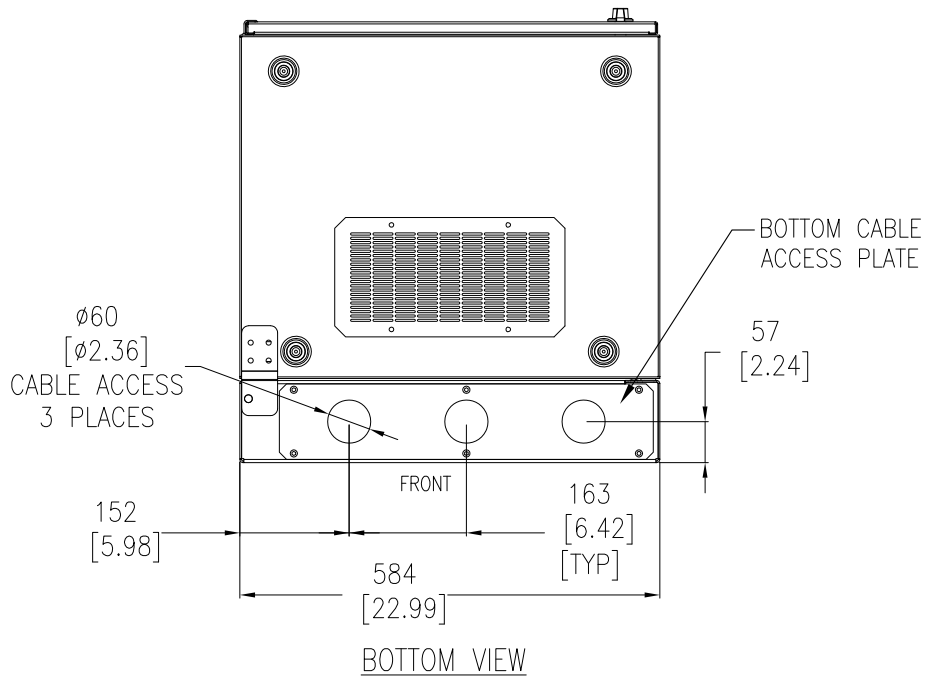
TITLE: NetShelter WX 13U WITH THREADED HOLE VERTICAL MOUNTING RAIL GLASS FRONT DOOR MAIN MECHANICAL

DWG NO: AR100
 DRAWN BY: V BUSH 09-JUL-10
 ENGINEER: R RAGGIO 09-JUL-10

REV. 1
 FIRST ANGLE
 PROJ

PROJECT: SUBMITTAL DRAWINGS SHEET 1 OF 4

APPROVED BY: [Signature]



NOTES:

1. INSTALLATION MUST COMPLY WITH NATIONAL AND LOCAL ELECTRICAL REGULATIONS.
2. ALL DIMENSIONS ARE MILLIMETERS [INCHES].

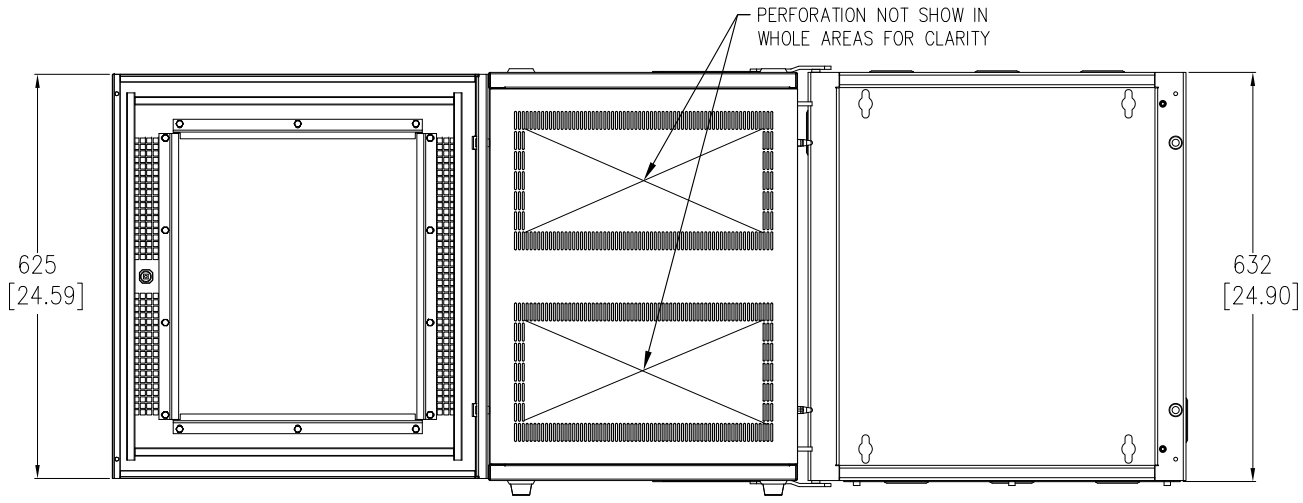
THIS DRAWING AND SPECIFICATIONS HEREIN ARE THE PROPERTY OF SCHNEIDER ELECTRIC AND SHALL NOT BE COPIED, REPRODUCED OR USED IN WHOLE OR IN PART, AS THE BASIS FOR THE MANUFACTURE OR SALE OF ITEMS WITHOUT WRITTEN PERMISSION FROM SCHNEIDER ELECTRIC. THIS DRAWING IS BASED UPON LATEST AVAILABLE INFORMATION AND IS SUBJECT TO CHANGE WITHOUT NOTICE.



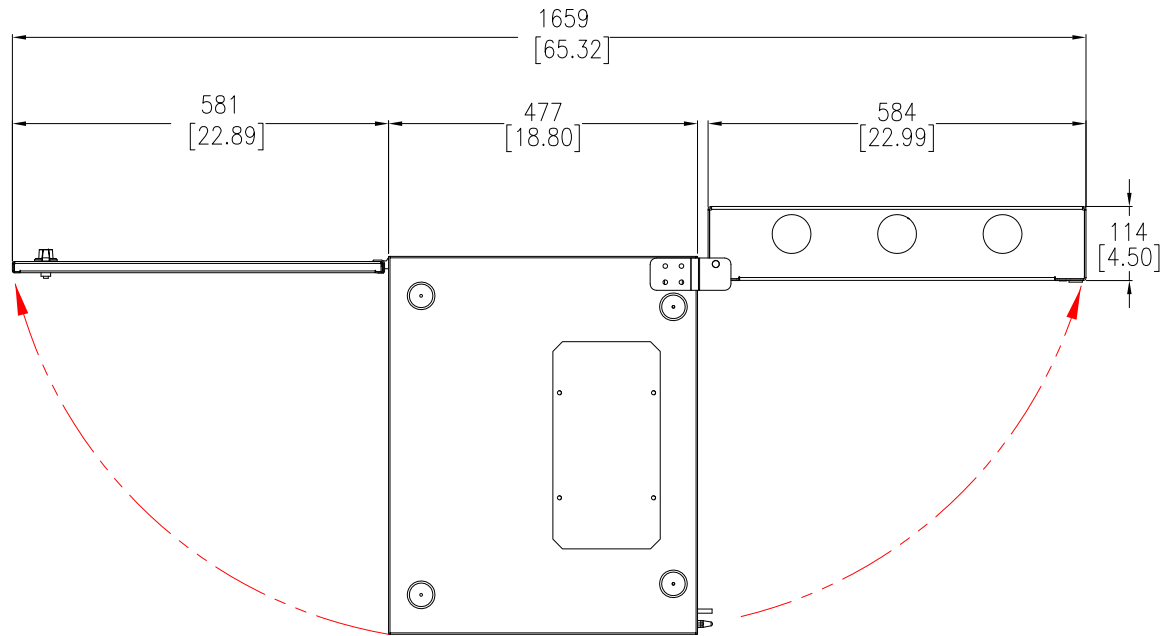
TITLE: NetShelter WX 13U WITH THREADED HOLE VERTICAL MOUNTING RAIL GLASS FRONT DOOR BOTTOM AND REAR VIEWS
PROJECT: SUBMITTAL DRAWINGS SHEET 2 OF 4

DWG NO: AR100
DRAWN BY: V BUSH/S CUNHA 11-MAR-13
ENGINEER: R RAGGIO/J KUMMER 11-MAR-13
APPROVED BY: S VOCCIO 11-MAR-13

REV: 2
FIRST ANGLE PROJ



RIGHT SIDE VIEW
(WITH BOTH DOORS OPEN)



TOP VIEW

NOTES:

1. INSTALLATION MUST COMPLY WITH NATIONAL AND LOCAL ELECTRICAL REGULATIONS.
2. ALL DIMENSIONS ARE MILLIMETERS [INCHES].

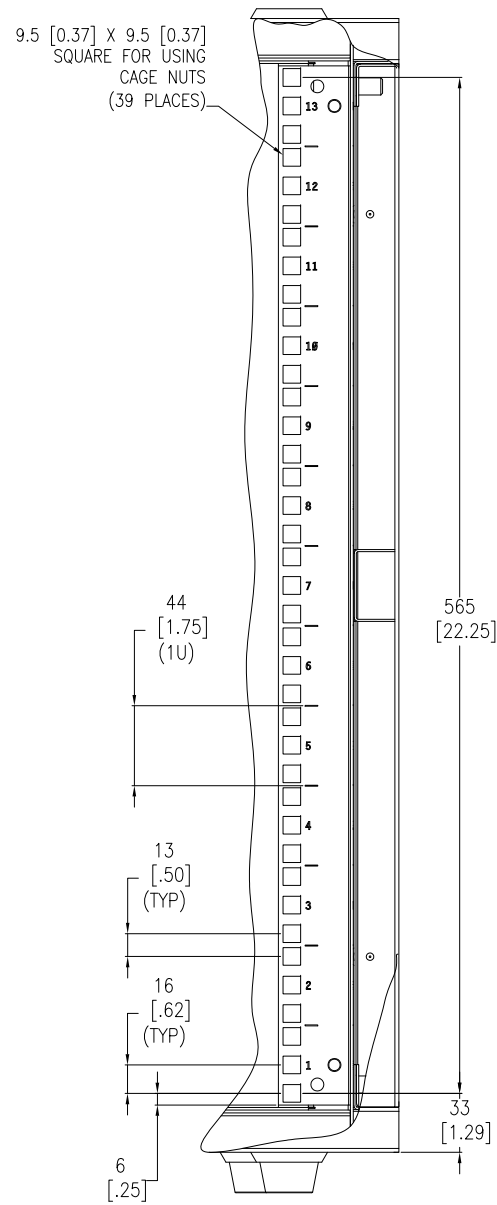
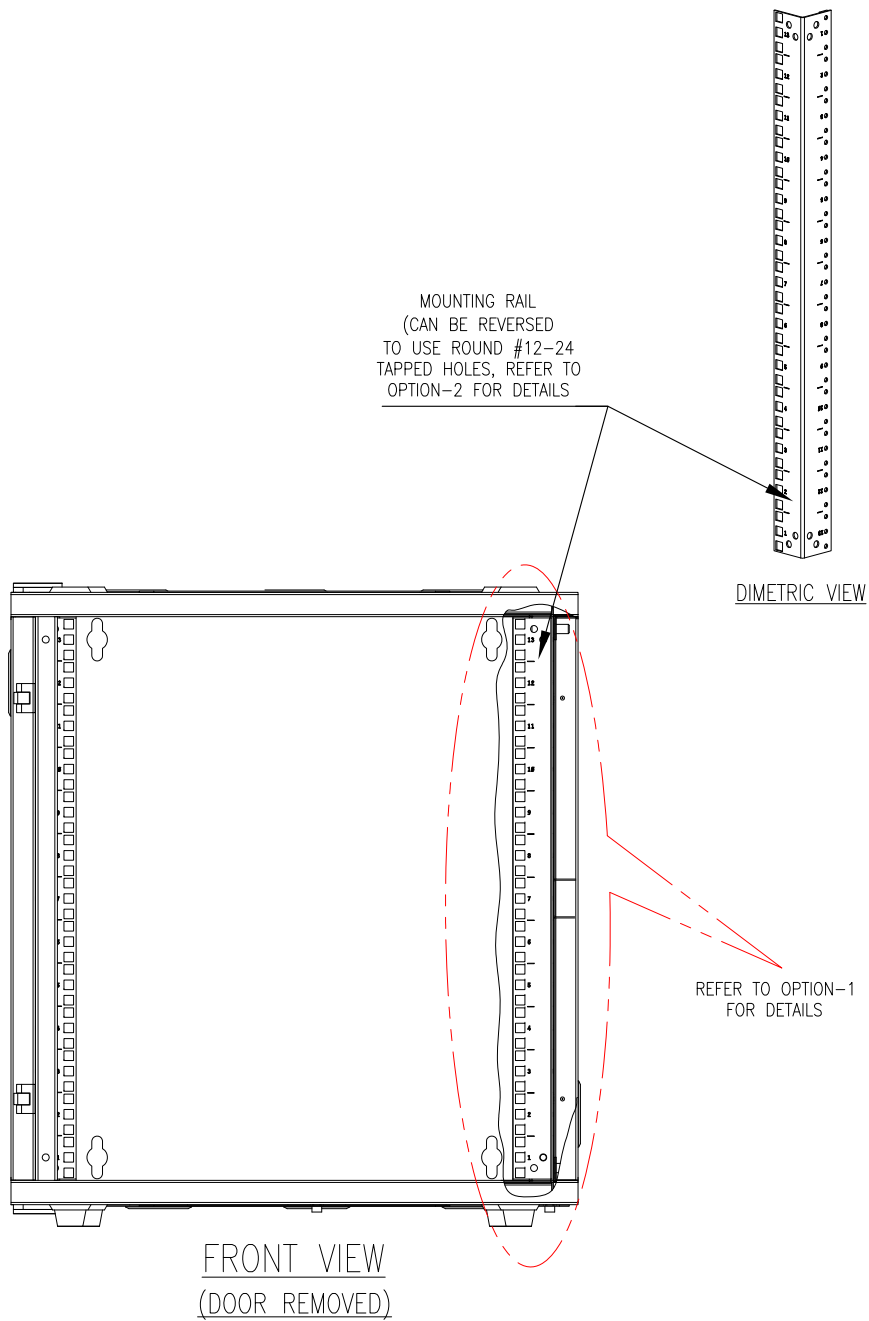
THIS DRAWING AND SPECIFICATIONS HEREIN ARE THE PROPERTY OF SCHNEIDER ELECTRIC AND SHALL NOT BE COPIED, REPRODUCED OR USED IN WHOLE OR IN PART, AS THE BASIS FOR THE MANUFACTURE OR SALE OF ITEMS WITHOUT WRITTEN PERMISSION FROM SCHNEIDER ELECTRIC. THIS DRAWING IS BASED UPON LATEST AVAILABLE INFORMATION AND IS SUBJECT TO CHANGE WITHOUT NOTICE.



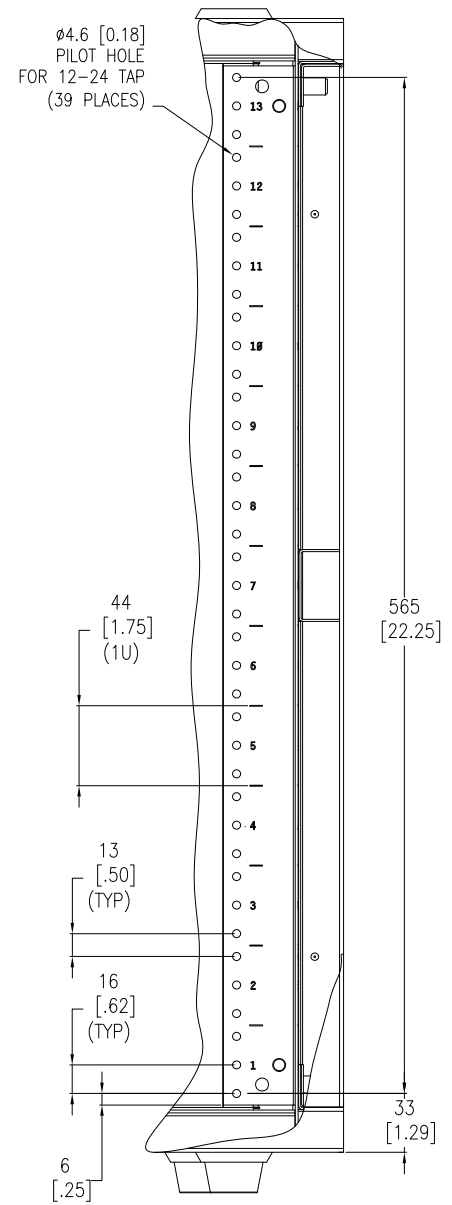
TITLE: NetShelter WX 13U
WITH THREADED HOLE VERTICAL MOUNTING RAIL
GLASS FRONT DOOR
INTERNAL VIEW
PROJECT: SUBMITTAL DRAWINGS SHEET 3 OF 4

DWG NO: AR100
DRAWN BY: V BUSH 09-JUL-10
ENGINEER: R RAGGIO 09-JUL-10
APPROVED BY: [Signature] 09-JUL-10

REV. 1
FIRST ANGLE PROJ



MOUNTING RAIL DETAILS
OPTION-1 (ENLARGED)



MOUNTING RAIL DETAILS
OPTION-2 (ENLARGED)

NOTES:

1. INSTALLATION MUST COMPLY WITH NATIONAL AND LOCAL ELECTRICAL REGULATIONS.
2. ALL DIMENSIONS ARE MILLIMETERS [INCHES].

THIS DRAWING AND SPECIFICATIONS HEREIN ARE THE PROPERTY OF SCHNEIDER ELECTRIC AND SHALL NOT BE COPIED, REPRODUCED OR USED IN WHOLE OR IN PART, AS THE BASIS FOR THE MANUFACTURE OR SALE OF ITEMS WITHOUT WRITTEN PERMISSION FROM SCHNEIDER ELECTRIC. THIS DRAWING IS BASED UPON LATEST AVAILABLE INFORMATION AND IS SUBJECT TO CHANGE WITHOUT NOTICE.



TITLE: NetShelter WX 13U WITH THREADED HOLE VERTICAL MOUNTING RAIL GLASS FRONT DOOR MOUNTING DETAILS
PROJECT: SUBMITTAL DRAWINGS SHEET 4 OF 4

DWG NO: AR100
DRAWN BY: JAYAPRAKASH
ENGINEER: K THOMAS/J BORGESCH
APPROVED BY: SHERMAN/BOY/CLARKSON/BIH
18-DEC-09
18-DEC-09
18-DEC-09
REV: 0
FIRST ANGLE PROJ