

(4) 20A CIRCUIT BREAKERS

INPUT: 50-60Hz, 24A

TOTAL OUTPUT CURRENT: 24A

20A

20A

20A

20A

(4) OUTPUT RECEPTACLES NEMA L5-20R

SIDE VIEW

FRONT VIEW

BOTTOM VIEW

NEMA L14-30P

SEE VIEW A (SHEET 2)

CORD LENGTH 8535 mm

SEE VIEW B (SHEET 2)

NOTES:

1. ALL DIMENSIONS ARE IN MILLIMETERS.
2. NET WEIGHT IS 6.36 kg.
3. BRACKET KITS TO MOUNT TO SPECIFIC COMPETITORS RACKS ARE AVAILABLE AS OPTION.
4. INSTALLATION MUST COMPLY WITH ALL APPLICABLE NATIONAL AND LOCAL STANDARDS.

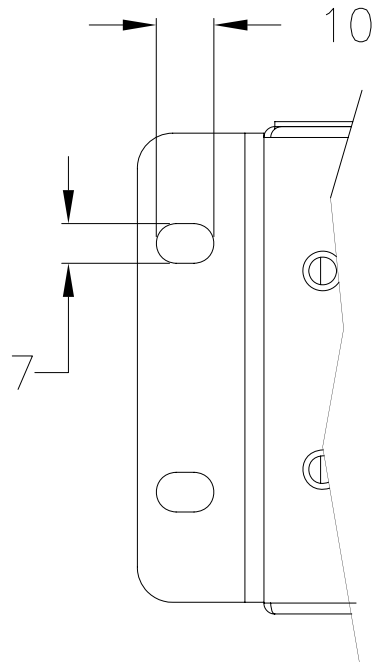
THIS DRAWING AND SPECIFICATIONS HEREIN ARE THE PROPERTY OF AMERICAN POWER CONVERSION AND SHALL NOT BE COPIED, REPRODUCED OR USED IN WHOLE OR IN PART, AS THE BASIS FOR THE MANUFACTURE OR SALE OF ITEMS WITHOUT WRITTEN PERMISSION FROM APC. THIS DRAWING IS BASED UPON LATEST AVAILABLE INFORMATION AND IS SUBJECT TO CHANGE WITHOUT NOTICE.



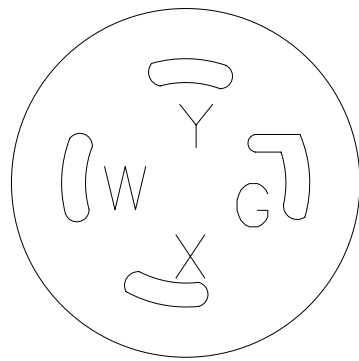
TITLE: RACK PDU EXTENDER, BASIC
 2U, 30A, 100/120/200/208V
 INPUT: NEMA L14-30P
 OUTPUT: (4) NEMA L5-20R
 MAIN MECHANICAL
 PROJECT: SUBMITTAL DRAWINGS SHEET 1 OF 2

DWG NO:	AP7580		REV:	0
DRAWN:	JAYAPRAKASH	27-FEB-08	THIRD ANGLE PROJECTION	
ENGINEER:	T.HORSTMANN	11-MAR-08		
APPROVED:	T.YAMAMOTO/M.KAMIYA	11-MAR-08		

DETAILS

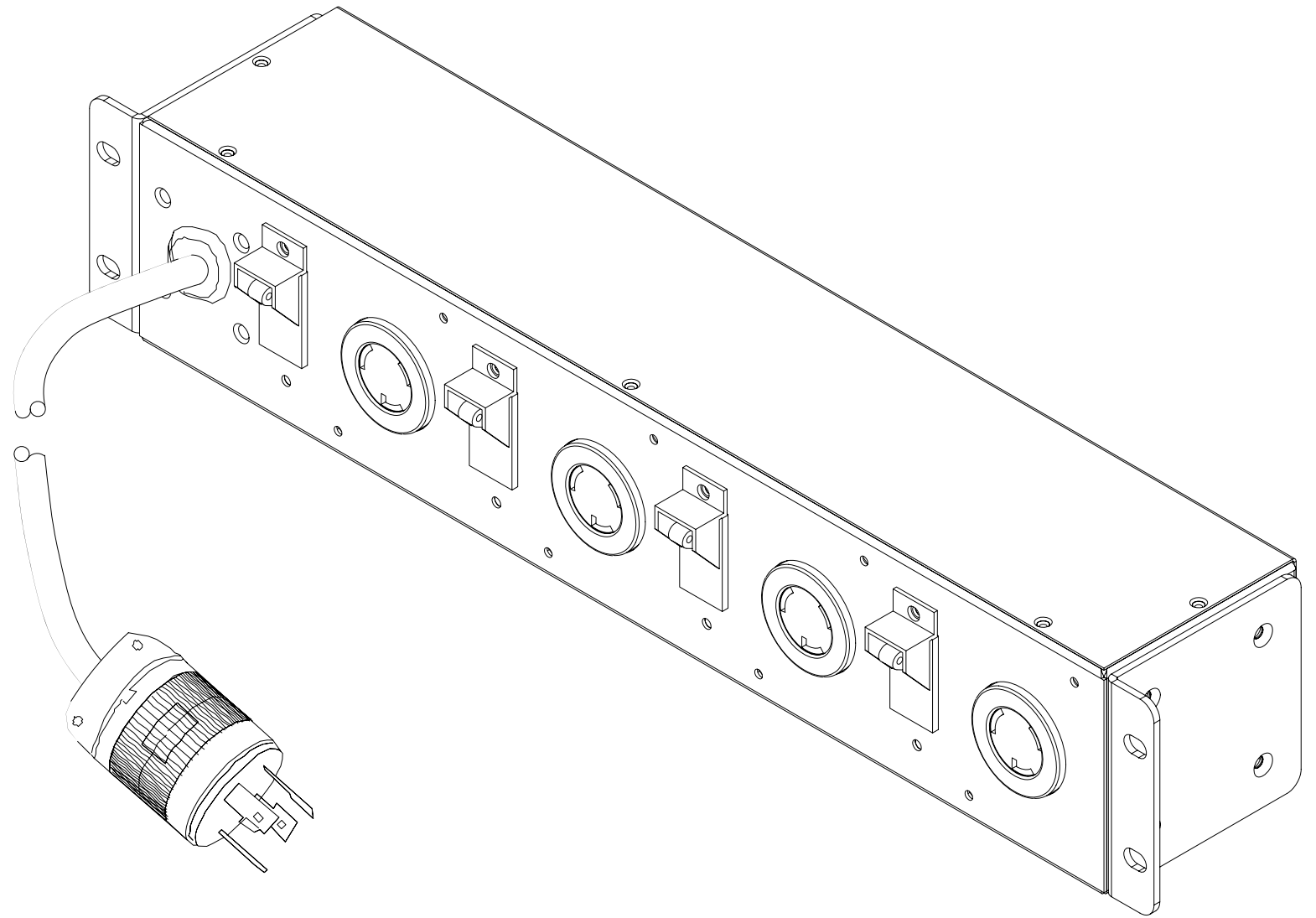


VIEW A (ENLARGED)



VIEW B
(NEMA L14-30 PLUG ENLARGED)

ISOMETRIC VIEW



THIS DRAWING AND SPECIFICATIONS HEREIN ARE THE PROPERTY OF AMERICAN POWER CONVERSION AND SHALL NOT BE COPIED, REPRODUCED OR USED IN WHOLE OR IN PART, AS THE BASIS FOR THE MANUFACTURE OR SALE OF ITEMS WITHOUT WRITTEN PERMISSION FROM APC. THIS DRAWING IS BASED UPON LATEST AVAILABLE INFORMATION AND IS SUBJECT TO CHANGE WITHOUT NOTICE.



TITLE: RACK PDU EXTENDER, BASIC
2U, 30A,100/120/200/208V
INPUT: NEMA L14-30P
OUTPUT: (4)NEMA L5-20R
DETAILS & ISOMETRIC VIEW

DWG NO:	AP7580		REV:	0
DRAWN:	JAYAPRAKASH	27-FEB-08	THIRD	ANGLE PROJECTION
ENGINEER:	T.HORSTMANN	11-MAR-08		
APPROVED:	T.YAMAMOTO/M.KAMIYA	11-MAR-08		

PROJECT: SUBMITTAL DRAWINGS SHEET 2 OF 2