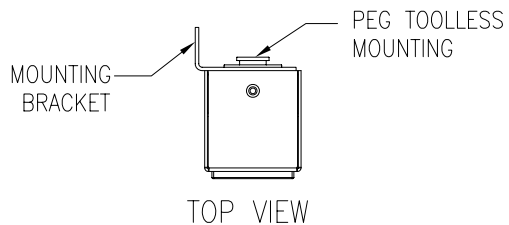


FRONT VIEW

SIDE VIEW

REAR VIEW



TOP VIEW

NOTES:

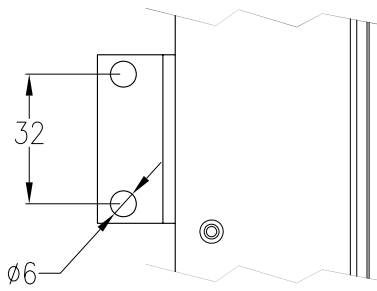
1. ALL DIMENSIONS ARE IN MILLIMETERS.
2. NET WEIGHT IS 2.0 kg.
3. LENGTH OF THE CORD IS 2500 mm.
4. MOUNTING BRACKET IS AN ALTERNATIVE MOUNTING METHOD TO THE TOOLLESS MOUNT FOR NON APC RACKS.
5. BRACKET KITS TO MOUNT TO SPECIFIC COMPETITORS RACKS ARE AVAILABLE AS OPTIONS.
6. INSTALLATION MUST COMPLY WITH ALL APPLICABLE NATIONAL AND LOCAL ELECTRICAL REGULATIONS.

THIS DRAWING AND SPECIFICATIONS HEREIN ARE THE PROPERTY OF AMERICAN POWER CONVERSION AND SHALL NOT BE COPIED, REPRODUCED OR USED IN WHOLE OR IN PART, AS THE BASIS FOR THE MANUFACTURE OR SALE OF ITEMS WITHOUT WRITTEN PERMISSION FROM APC. THIS DRAWING IS BASED UPON LATEST AVAILABLE INFORMATION AND IS SUBJECT TO CHANGE WITHOUT NOTICE.

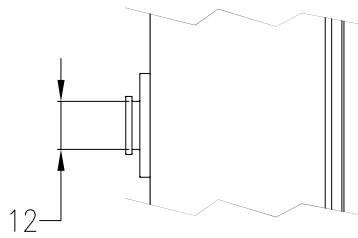


TITLE: RACK PDU, BASIC  
 ZERO U, 16A, 208V/230V, INPUT: IEC320-C20  
 OUTPUT: (15) IEC320-C13  
 MAIN MECHANICAL  
 PROJECT: SUBMITTAL DRAWINGS SHEET 1 OF 2

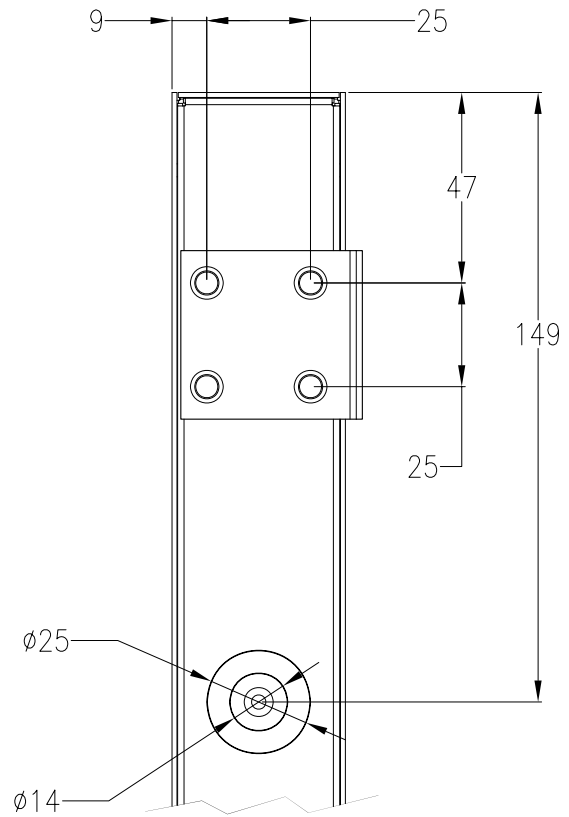
DWG NO:	AP9572	REV:	0
DRAWN:	JAYAPRAKASH	11-FEB-08	FIRST ANGLE PROJECTION
ENGINEER:	T.HORSTMANN	20-FEB-08	
APPROVED:	C.LARSEN/S.WAGH	20-FEB-08	



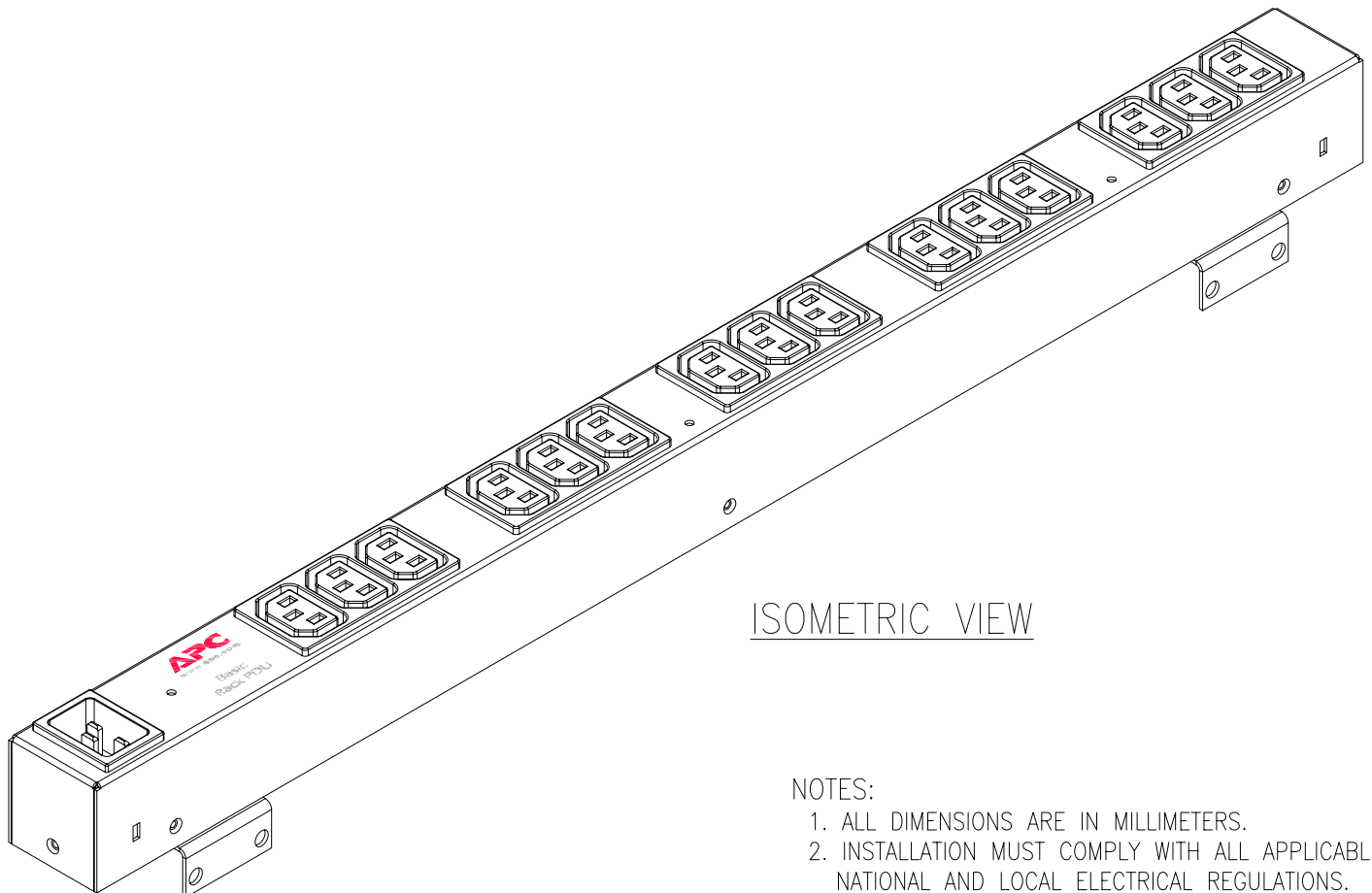
VIEW-A (ENLARGED)



VIEW-B (ENLARGED)



VIEW-C (ENLARGED)



ISOMETRIC VIEW

NOTES:

1. ALL DIMENSIONS ARE IN MILLIMETERS.
2. INSTALLATION MUST COMPLY WITH ALL APPLICABLE NATIONAL AND LOCAL ELECTRICAL REGULATIONS.

THIS DRAWING AND SPECIFICATIONS HEREIN ARE THE PROPERTY OF AMERICAN POWER CONVERSION AND SHALL NOT BE COPIED, REPRODUCED OR USED IN WHOLE OR IN PART, AS THE BASIS FOR THE MANUFACTURE OR SALE OF ITEMS WITHOUT WRITTEN PERMISSION FROM APC. THIS DRAWING IS BASED UPON LATEST AVAILABLE INFORMATION AND IS SUBJECT TO CHANGE WITHOUT NOTICE.



TITLE:  
RACK PDU, BASIC  
ZERO U, 16A, 208V/230V, INPUT: IEC320-C20  
OUTPUT: (15) IEC320-C13  
DETAILS & ISOMETRIC VIEW  
PROJECT: SUBMITTAL DRAWINGS SHEET 2 OF 2

DWG NO:	AP9572	REV:	0
DRAWN:	JAYAPRAKASH	11-FEB-08	FIRST
ENGINEER:	T.HORSTMANN	20-FEB-08	ANGLE
APPROVED:	C.LARSEN/S.WAGH	20-FEB-08	PROJECTION