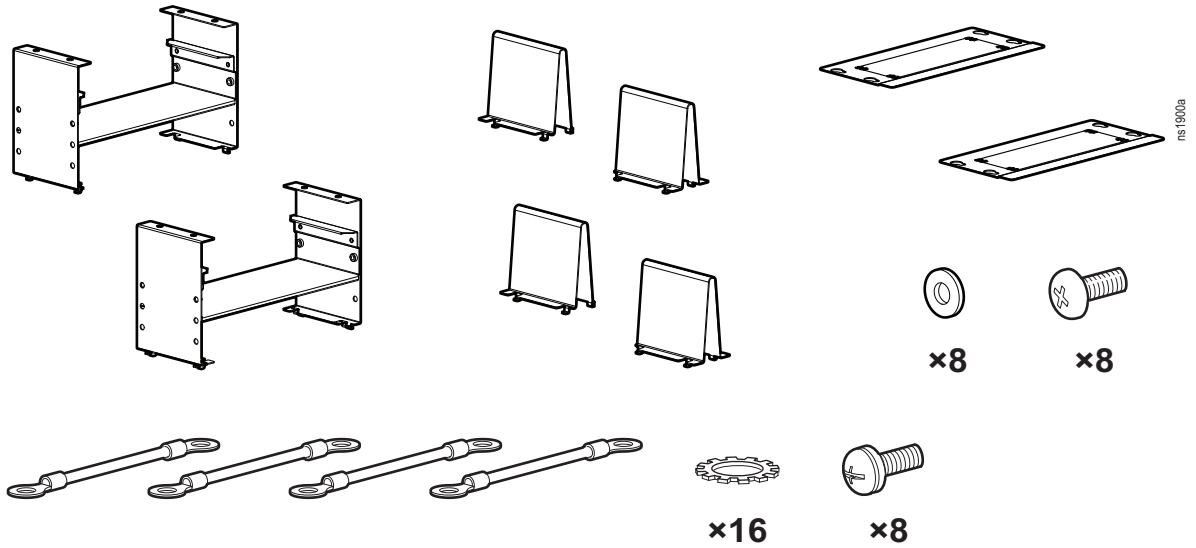


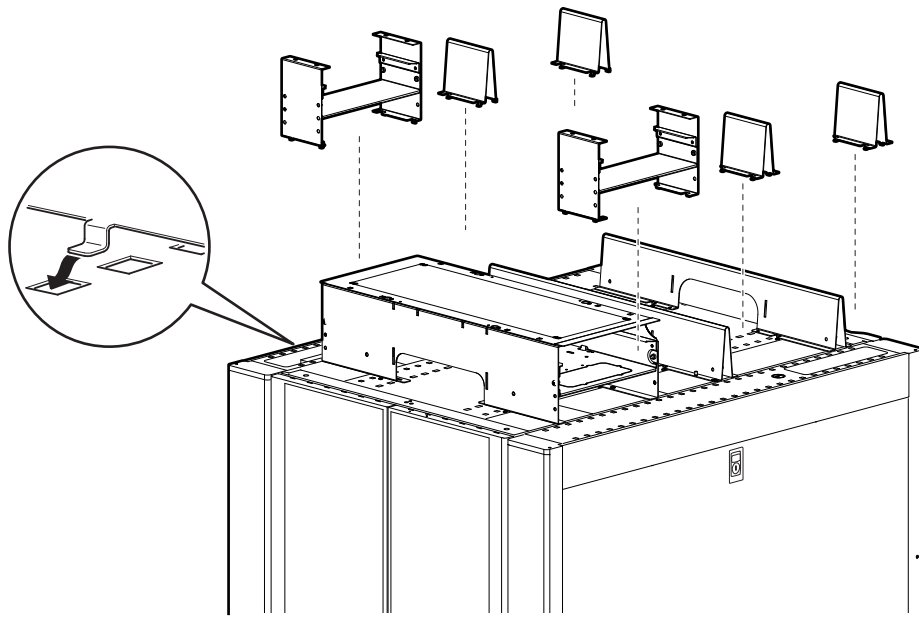
Trough and Partition Kit (AR8585) for the Cisco® Nexus 7018 Side Airflow Solution—Installation Instructions

Inventory

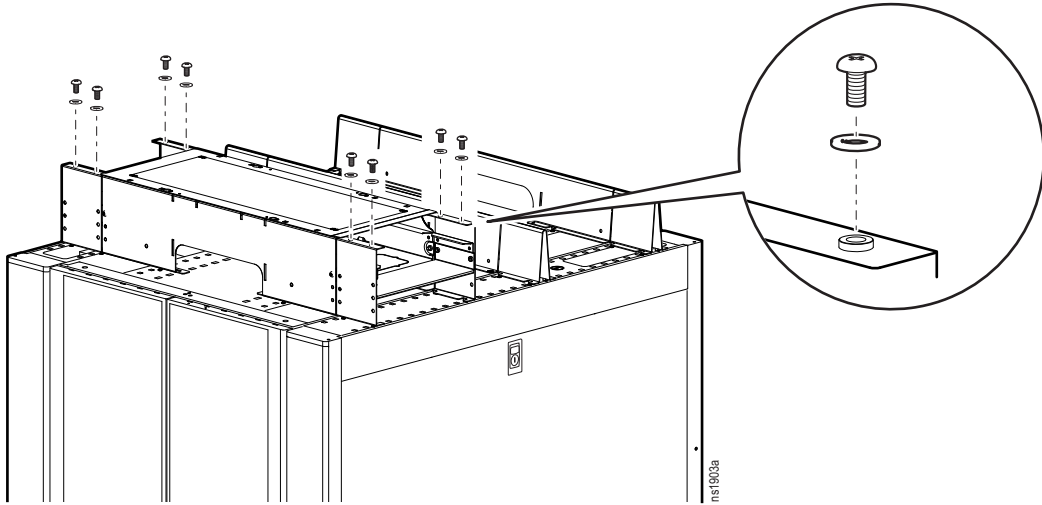


Installation

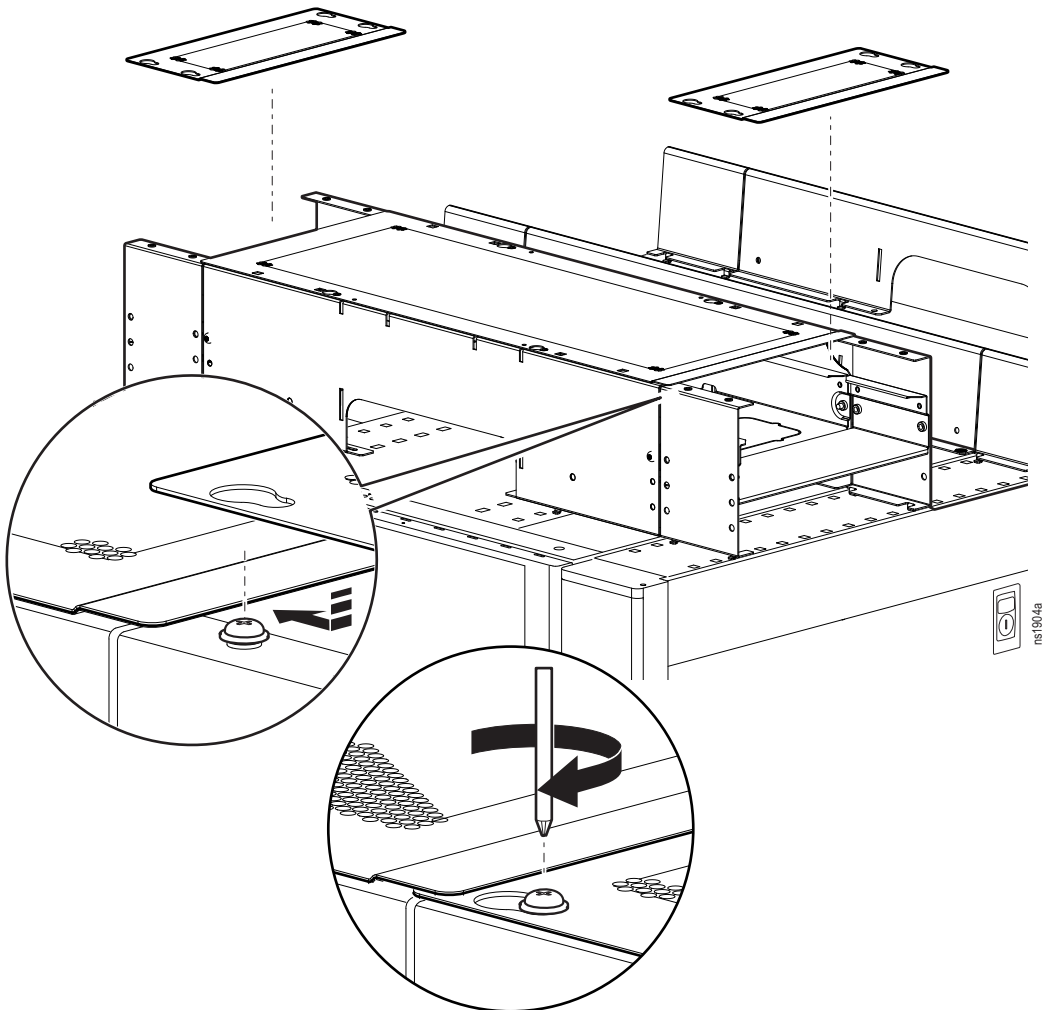
1



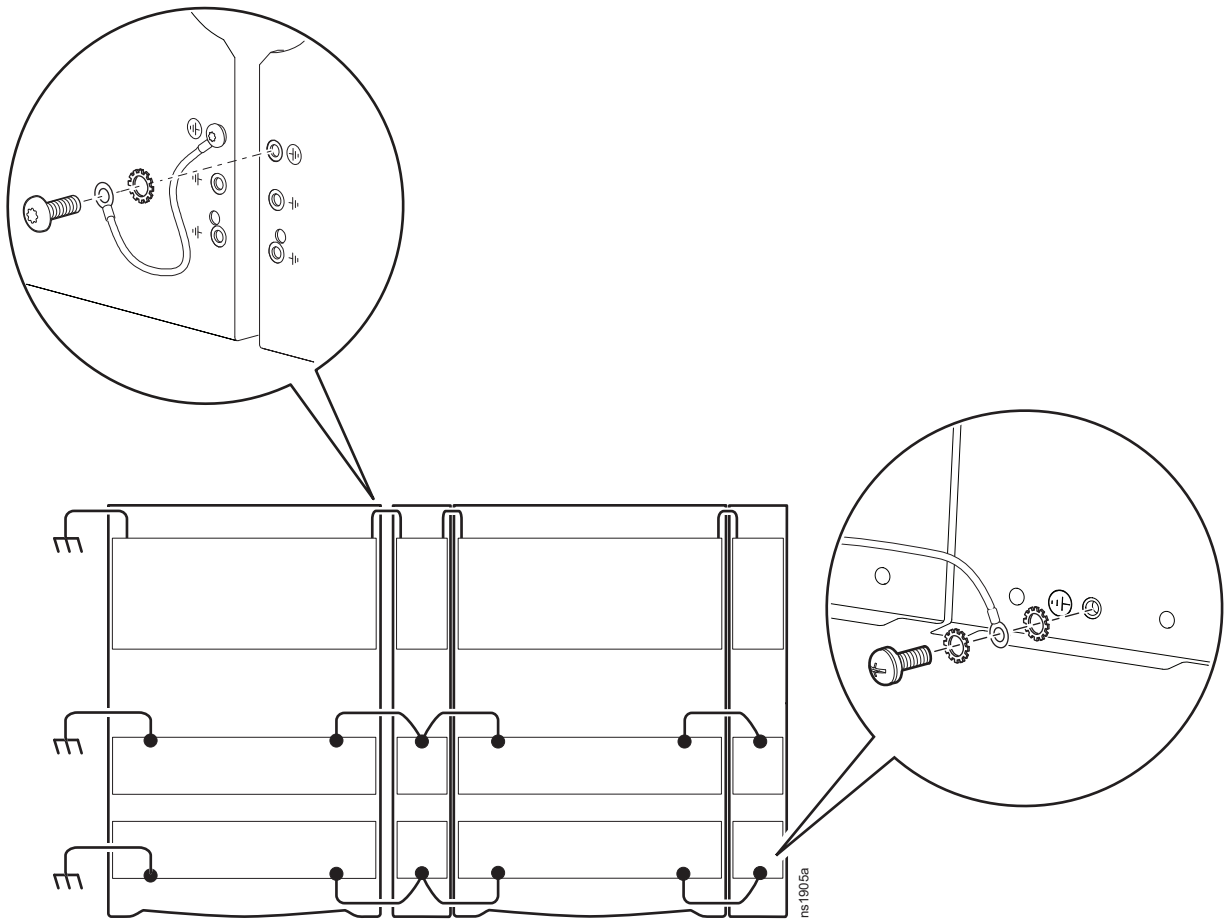
2 (Optional)



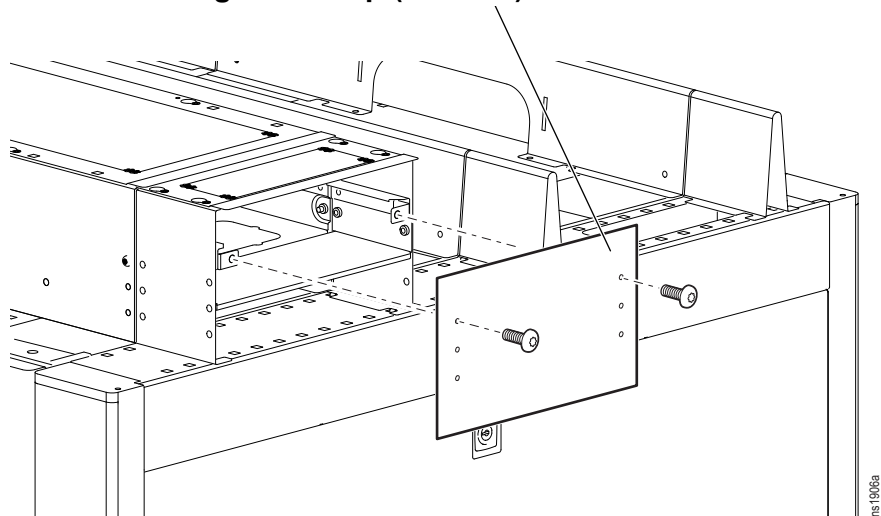
3 (Optional)



- 4 Torque hardware to 8.7 to 9.4 N-m (77 to 83 in-lb).



Accessory—NetShelter Trough End Cap (AR8567)



Customer support and warranty information is available at the APC Web site, www.apc.com.

© 2011 APC by Schneider Electric. APC, the APC logo, and NetShelter are owned by Schneider Electric Industries S.A.S., American Power Conversion Corporation, or their affiliated companies. All other trademarks are property of their respective owners.

990-4375
3/2011