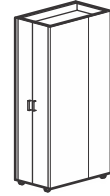


## NetShelter CX Dust Filter Installation

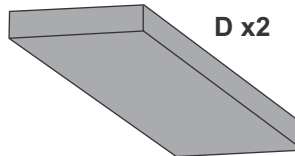
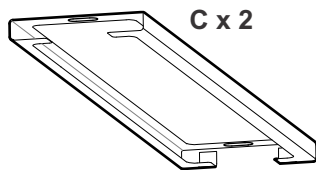
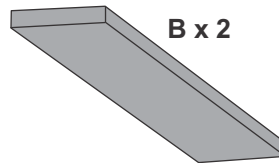
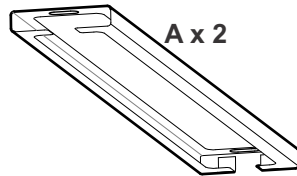
AR4702



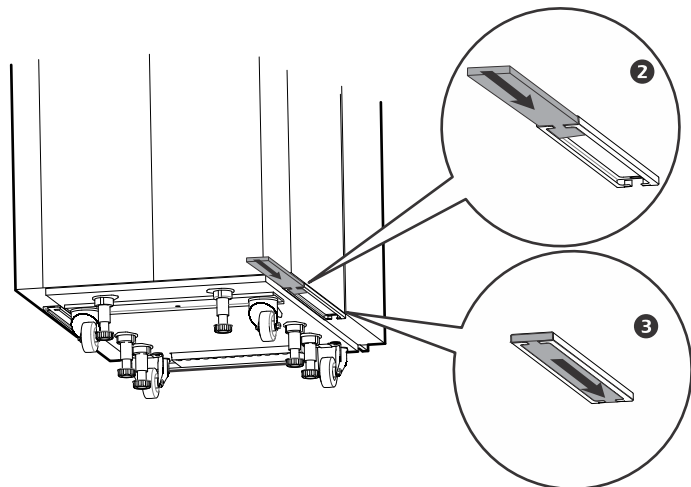
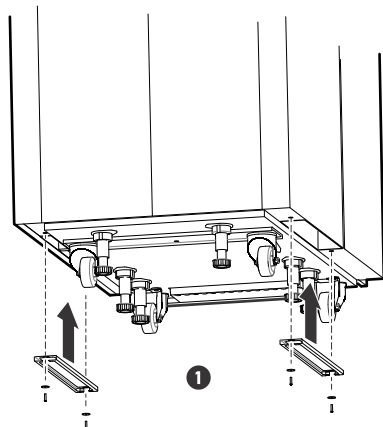
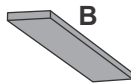
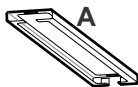
AR4038A  
AR4038IA  
AR4038IX329  
AR4038IX330  
AR4038IX331  
AR4038IX332

### INVENTORY

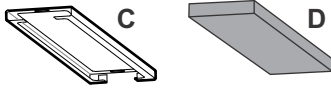
○ x8  
⌋ x8



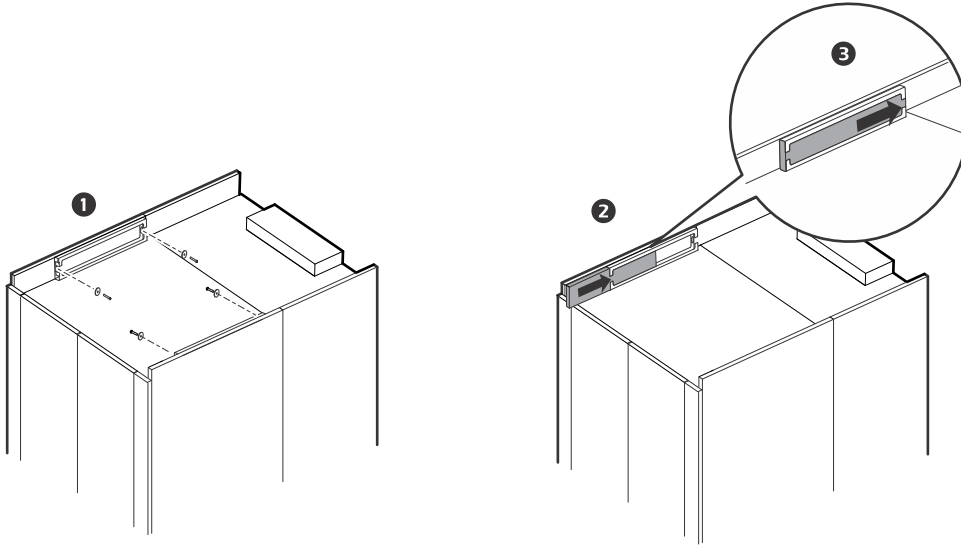
### BOTTOM



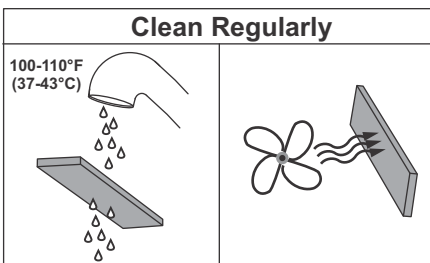
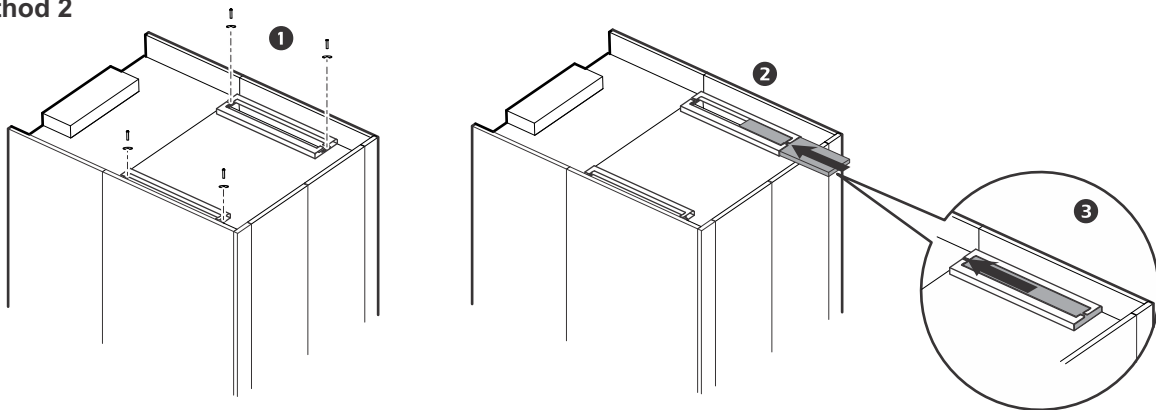
TOP



Method 1



Method 2



Customer support and warranty information is available at the Schneider Electric website, [www.schneider-electric.com](http://www.schneider-electric.com).

© 2015 Schneider Electric. All Rights reserved.