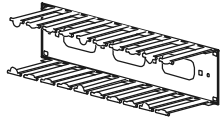
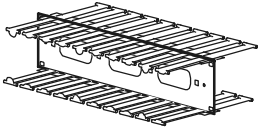
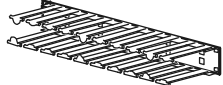
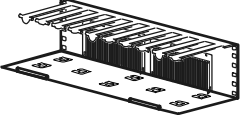
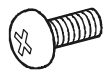


## Horizontal Cable Manager (AR8600, AR8601, AR8602, AR8603)—Installation

Product	SKU	Description	Figure
2-U, 4-in deep, single-sided horizontal cable organizer with cover	AR8600	Route patch cables horizontally at the front or rear of a 19-in EIA enclosure. The cable manager has 4-in smooth plastic fingers to allow patch cords to enter and exit in an organized manner.	
2-U, 4-in deep, double-sided horizontal cable organizer with cover	AR8601	Route patch and trunk cables horizontally at the front or rear of a 19-in EIA enclosure. The cable manager has 4-in smooth plastic fingers to allow patch cords to enter and exit in an organized manner.	
1-U, 4-in deep, single-sided horizontal cable organizer with cover	AR8602	Route patch cables horizontally at the front or rear of a 19-in EIA enclosure. The cable manager has 4-in smooth plastic fingers to allow patch cords to enter and exit in an organized manner.	
2-U, 6-in deep, high density single-sided horizontal cable organizer with cover	AR8603	Route patch cables horizontally at the front or rear of a 19-in EIA enclosure. The cable manager has 6-in smooth plastic fingers and two pass through openings to allow patch cords to enter and exit in an organized manner.	

### Hardware (provided)



M6 x 16 Phillips slot screws (4)

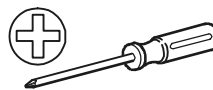


Cage nuts (4)

### Tools required (not provided)



Cage nut tool



Phillips screwdriver

## Installing cage nuts

Attach cage nuts to the vertical mounting flanges to install horizontal cable organizers.



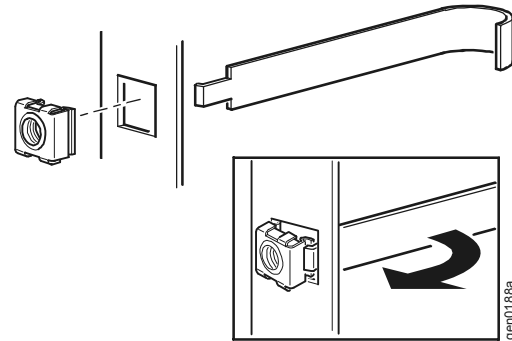
**Caution:** Install cage nuts horizontally, with the ears engaging the sides of the square hole. Do NOT install cage nuts vertically with the ears engaging the top and bottom of the square hole.

1. Insert the cage nut into the square hole by hooking one ear of the cage nut assembly through the far side of the hole.

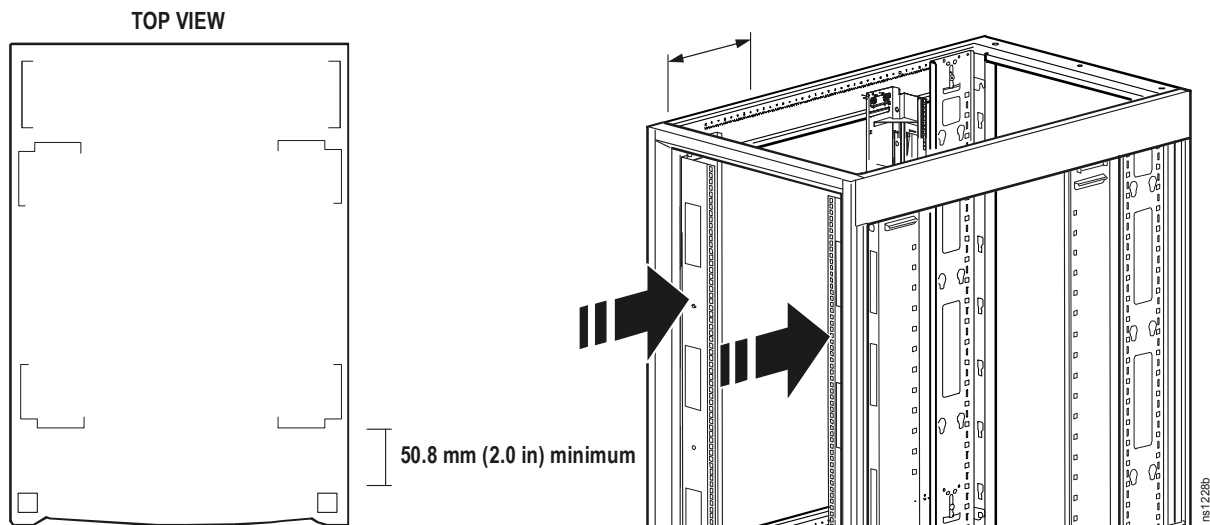


**Note:** Install the cage nuts on the interior of the vertical mounting flanges.

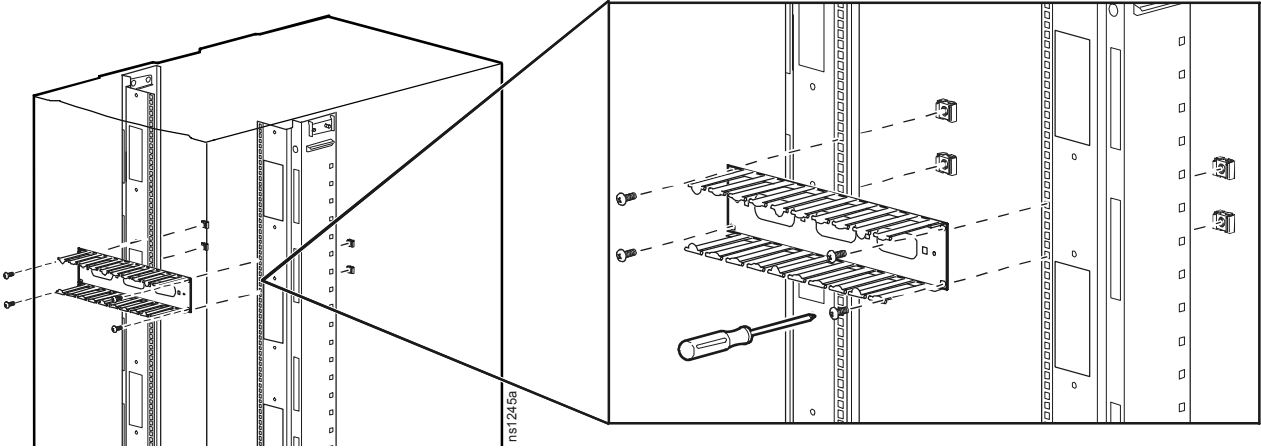
2. Place the cage nut tool (not provided) on the other side of the cage nut and pull to snap it into position.



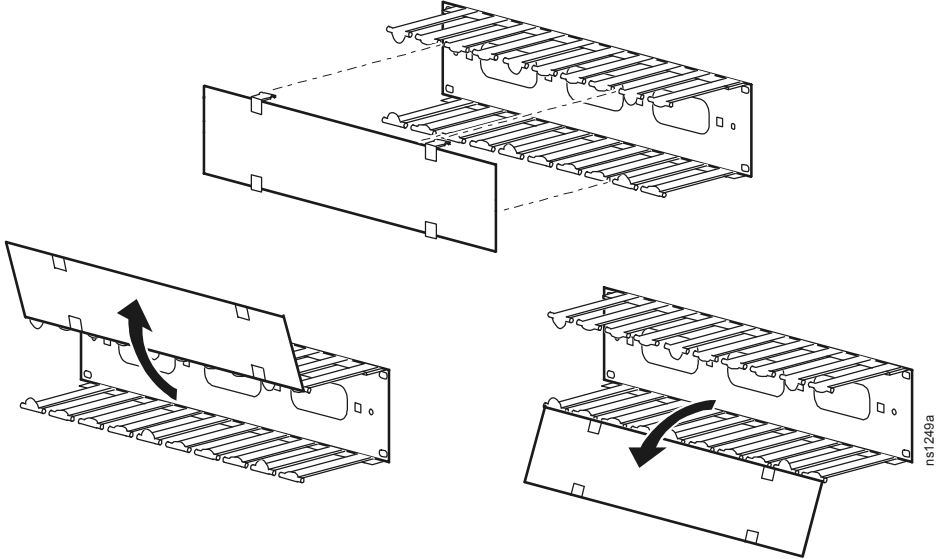
## Adjust the depth of the vertical mounting rails



### Install the horizontal cable manager



### Installing and opening the hinged cover





This manual is available in English on the APC Web site ([www.apc.com](http://www.apc.com)).

Dieses Handbuch ist in Deutsch auf der APC Webseite ([www.apc.com](http://www.apc.com)) verfügbar.

Este manual está disponible en español en la página web de APC ([www.apc.com](http://www.apc.com)).

Ce manuel est disponible en français sur le site internet d'APC ([www.apc.com](http://www.apc.com)).

Questo manuale è disponibile in italiano sul sito web di APC ([www.apc.com](http://www.apc.com)).

本マニュアル<各国の言語に対応する>は APC ウェブサイト ([www.apc.com](http://www.apc.com)) からダウンロードできません。

Instrukcja obsługi w języku polskim jest dostępna na stronie internetowej APC ([www.apc.com](http://www.apc.com)).

Данное руководство на русском языке доступно на сайте APC ([www.apc.com](http://www.apc.com))

Bu kullanım klavuzunun Türkçesi APC web sayfasında ([www.apc.com](http://www.apc.com)) mevcuttur.

在 APC 公司的网站上 ([www.apc.com](http://www.apc.com)) 有本手册的中文版。

Este manual está disponível em português no site da APC ([www.apc.com](http://www.apc.com)).

## APC Worldwide Customer Support

Customer support for this or any other APC product is available at no charge in any of the following ways:

- Visit the APC Web site to access documents in the APC Knowledge Base and to submit customer support requests.
  - **[www.apc.com](http://www.apc.com)** (Corporate Headquarters)  
Connect to localized APC Web sites for specific countries, each of which provides customer support information.
  - **[www.apc.com/support/](http://www.apc.com/support/)**  
Global support searching APC Knowledge Base and using e-support.
- Contact the APC Customer Support Center by telephone or e-mail.
  - Local, country-specific centers: go to **[www.apc.com/support/contact](http://www.apc.com/support/contact)** for contact information.

For information on how to obtain local customer support, contact the APC representative or other distributors from whom you purchased your APC product.



Customer support and warranty information is available at the APC Web site, **[www.apc.com](http://www.apc.com)**.

© 2009 APC by Schneider Electric. All trademarks are owned by Schneider Electric Industries S.A.S., American Power Conversion Corporation, or their affiliated companies.

**990-3317A-001**  
**06/2009**

