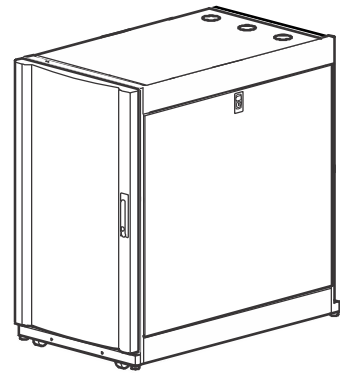




NetShelter™ SX 24 U Enclosure with 1250 lb Rated Packaging

Guide for Receiving, Unpacking, and Moving AR3104SP1



IMPORTANT SAFETY INSTRUCTIONS

CAUTION

HEAVY EQUIPMENT HAZARD

- Do NOT attempt to move the enclosure without assistance. Use a pallet jack or forklift to move the enclosure while it is still on its shipping pallet.
- Use caution when moving the enclosure on its casters.
- Push the enclosure from the front or back to move it.

Failure to follow these instructions can result in injury or equipment damage.



Receiving

Inspect the exterior packaging

Before unpacking the shipment, verify that the labeled boxes match the bill of lading and carefully inspect the exterior of the shipment immediately upon receipt.

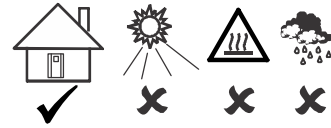
Inspect the Equipment

Once you have unpacked the enclosure, carefully inspect it for visible signs of shipping damage. If you detect shipping damage, contact your shipping company and Schneider Electric Customer Support at the number listed on the yellow label on the front of the enclosure or at www.schneider-electric.com.

Tools Required (not provided)



Unpacking

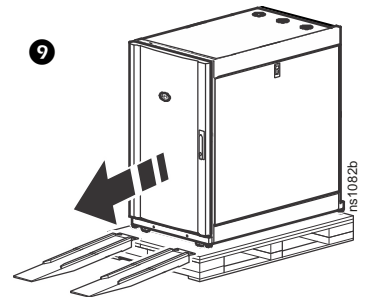
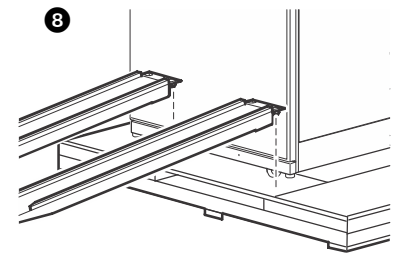
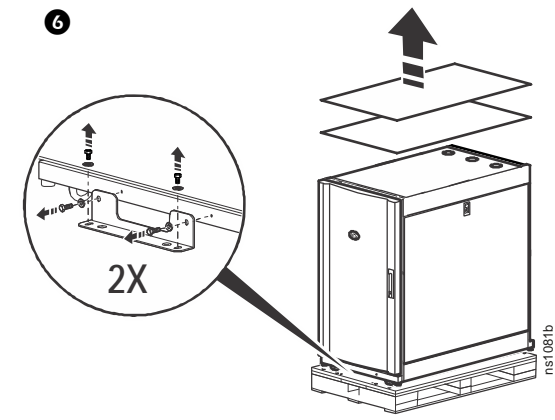
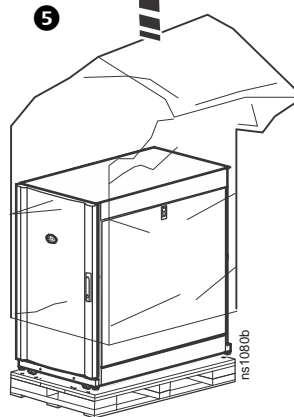
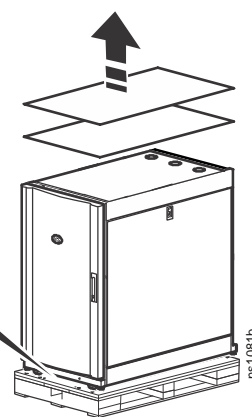
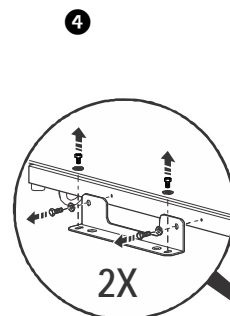
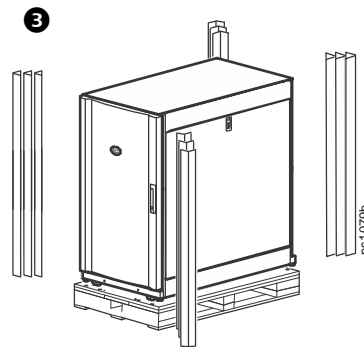
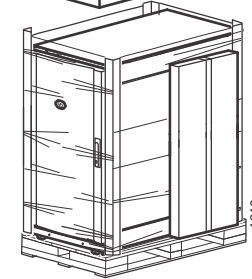
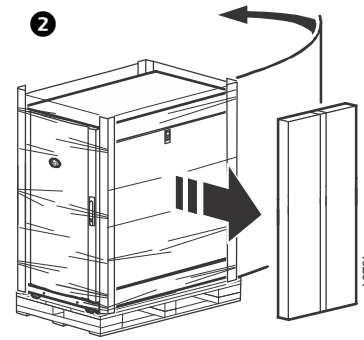
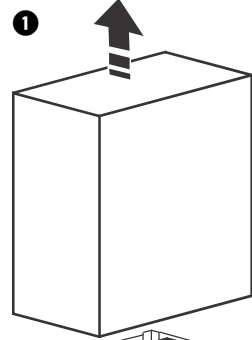


NOTICE

Leaving the enclosure uncovered and exposed to the elements will cause damage and void the factory warranty.



The shipping materials are recyclable. Save them for later use, or dispose of them appropriately.



2/2016

990-3205A

© 2016 Schneider Electric. All rights reserved.

Worldwide Customer Support

Customer support and warranty information is available at www.schneider-electric.com

