

A

B

C

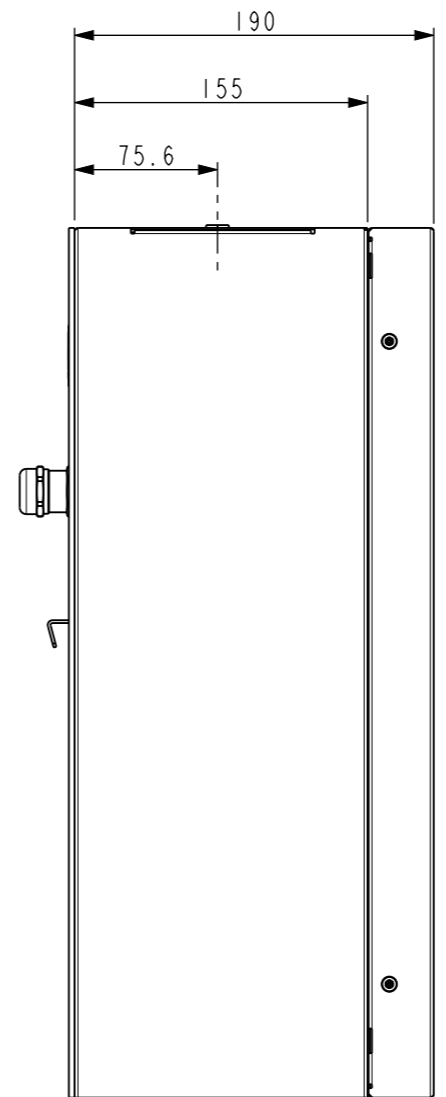
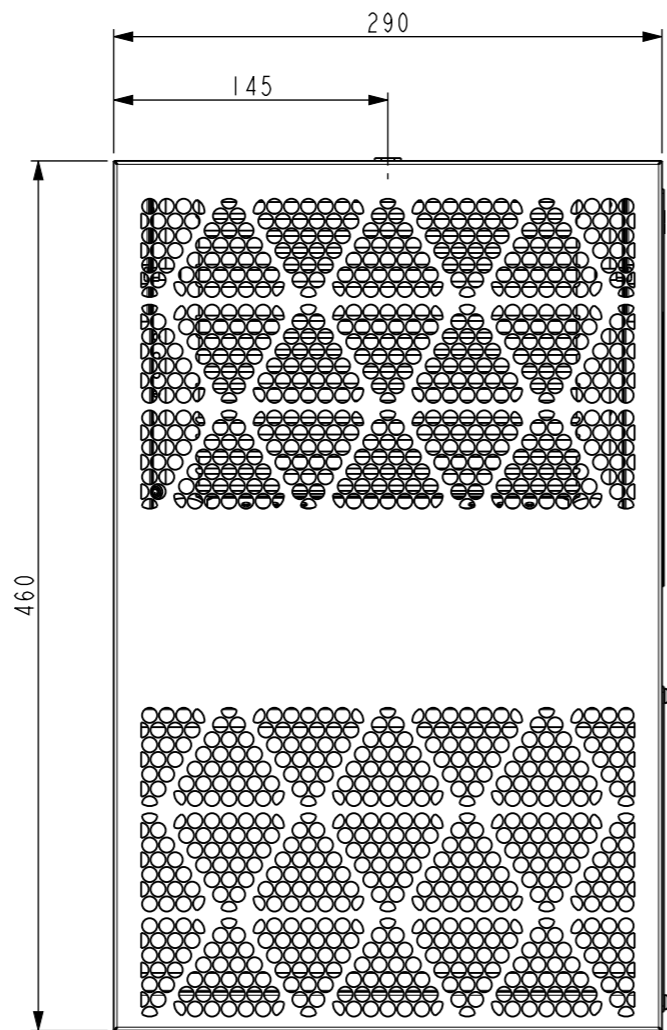
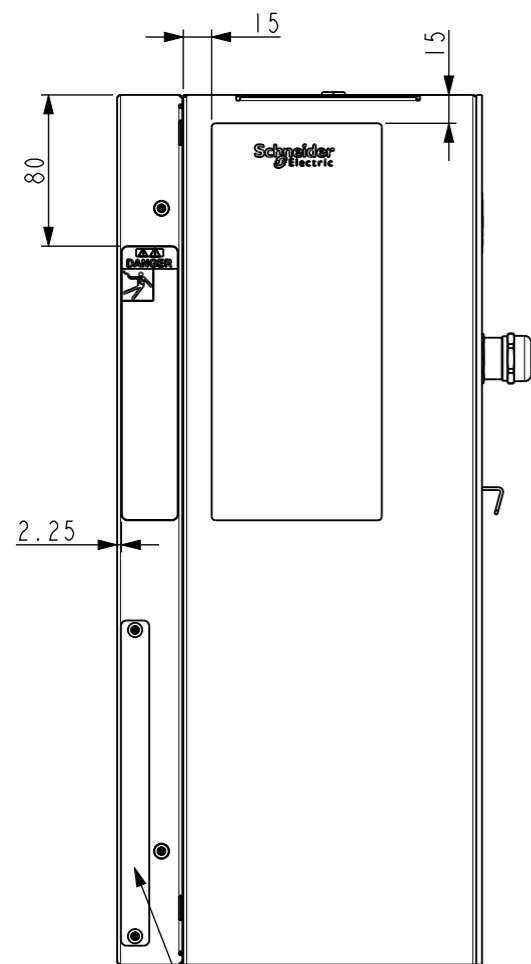
D

A

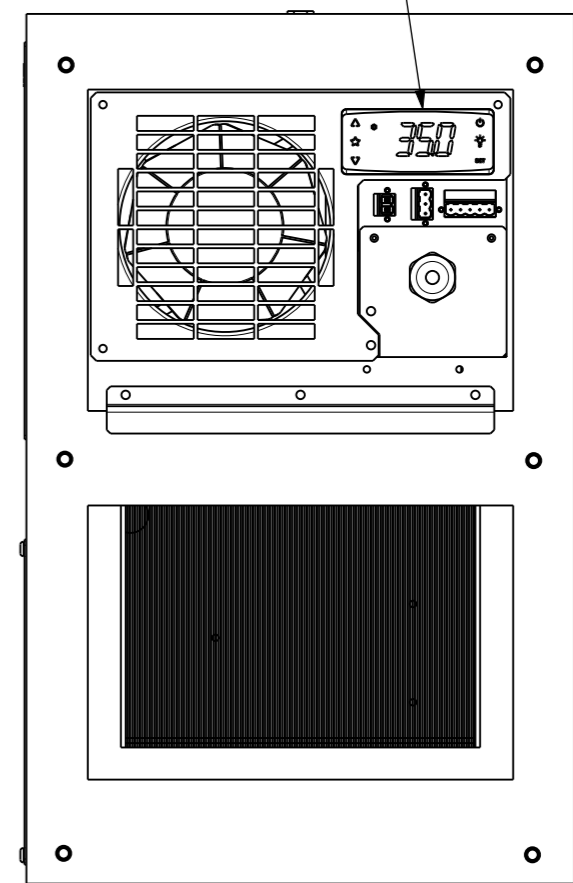
B

C

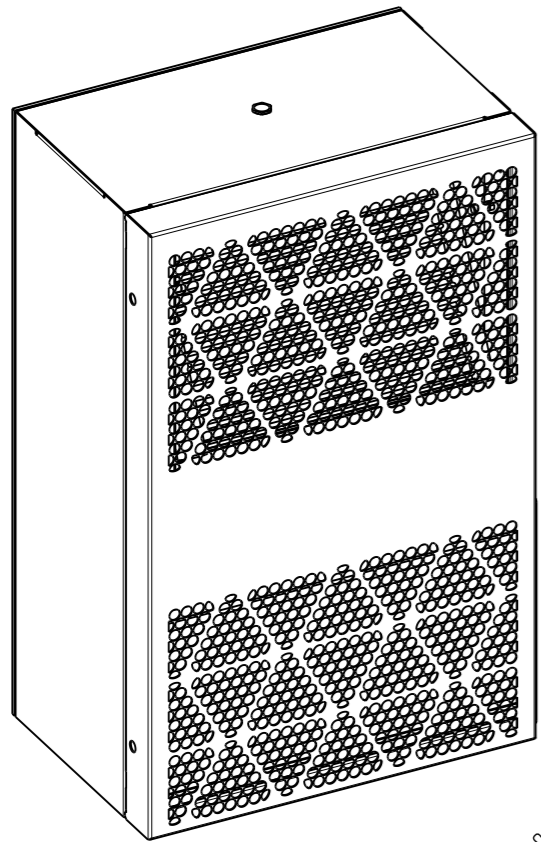
D



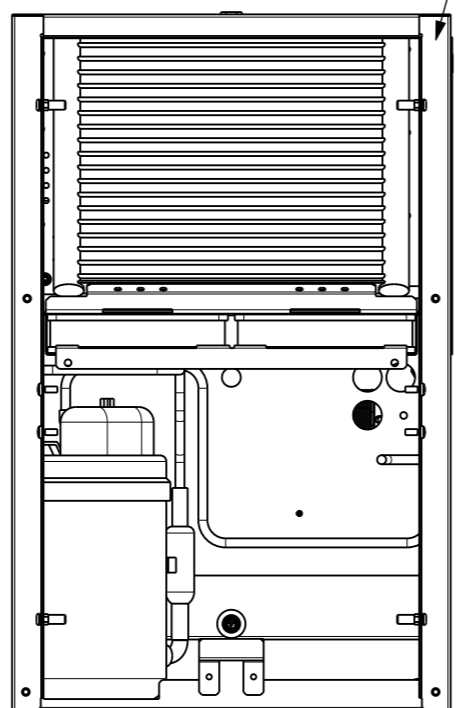
Electronic controller in the enclosure side



Includes aluminium filter



NO POPNUTS IN THE CABINET FRONT FACE



SCALE 0.200

COMMERCIAL REFERENCE	WEIGHT
NSYCUHD350DG	11.7 kg
NSYCUHD600DG	11.7 kg

	Scale: 0.250 Technical Specification: ISO 2768-mK Units of measure: mm
	Document Description: CONNECT OUTDOOR COOL UNIT SIDE 350W 600W Document Number: GEX8222702 Doc. Rev. 00 Sheet: 1/2

The information is highly confidential and is the exclusive property of Schneider Electric copyright reserved. This drawing must not be used for any purpose other than that expressly permitted in writing by the owners and must not be disclosed or reproduced in any way without permission from the owners in writing. This drawing must be returned to the owners when the purpose has ceased.

Released for Manufacturing
Printed on 2024/06/12

A

B

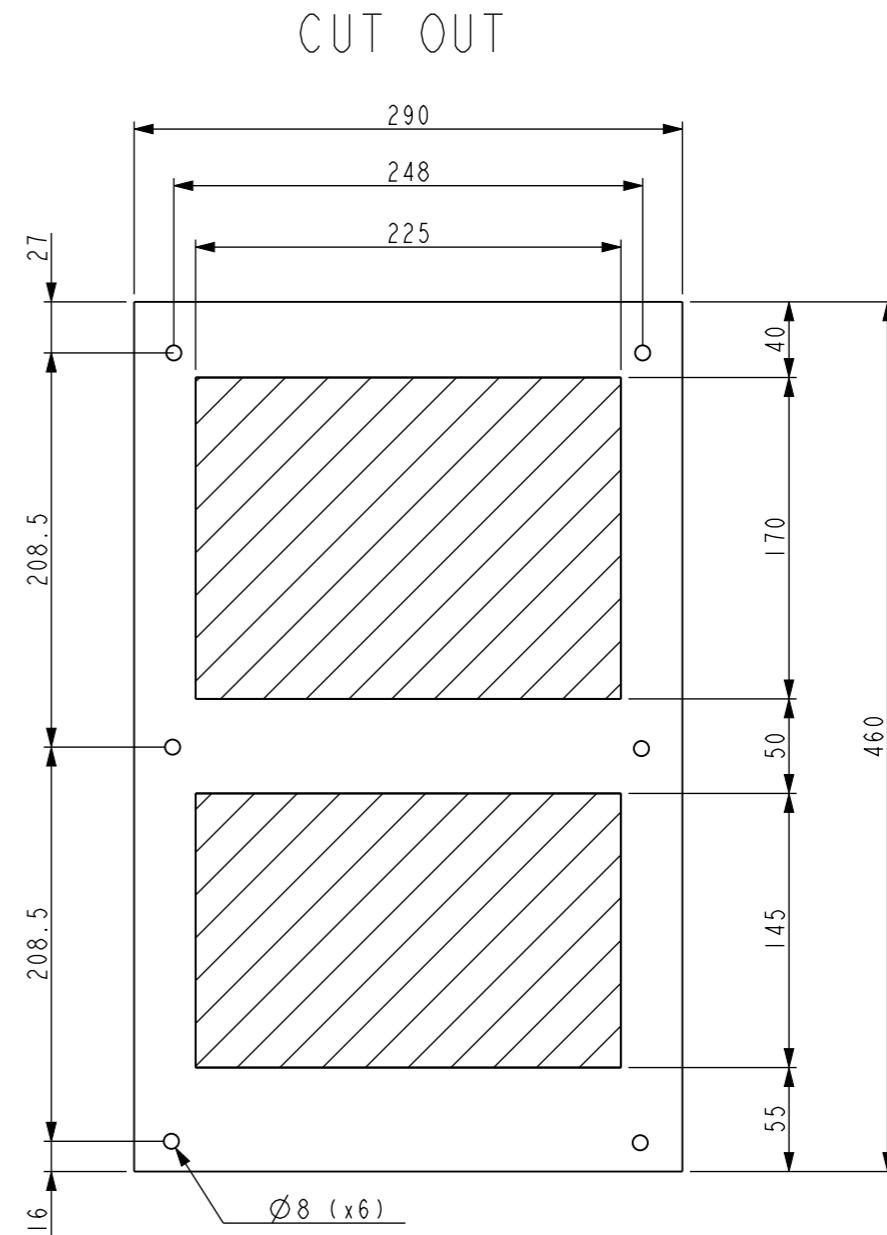
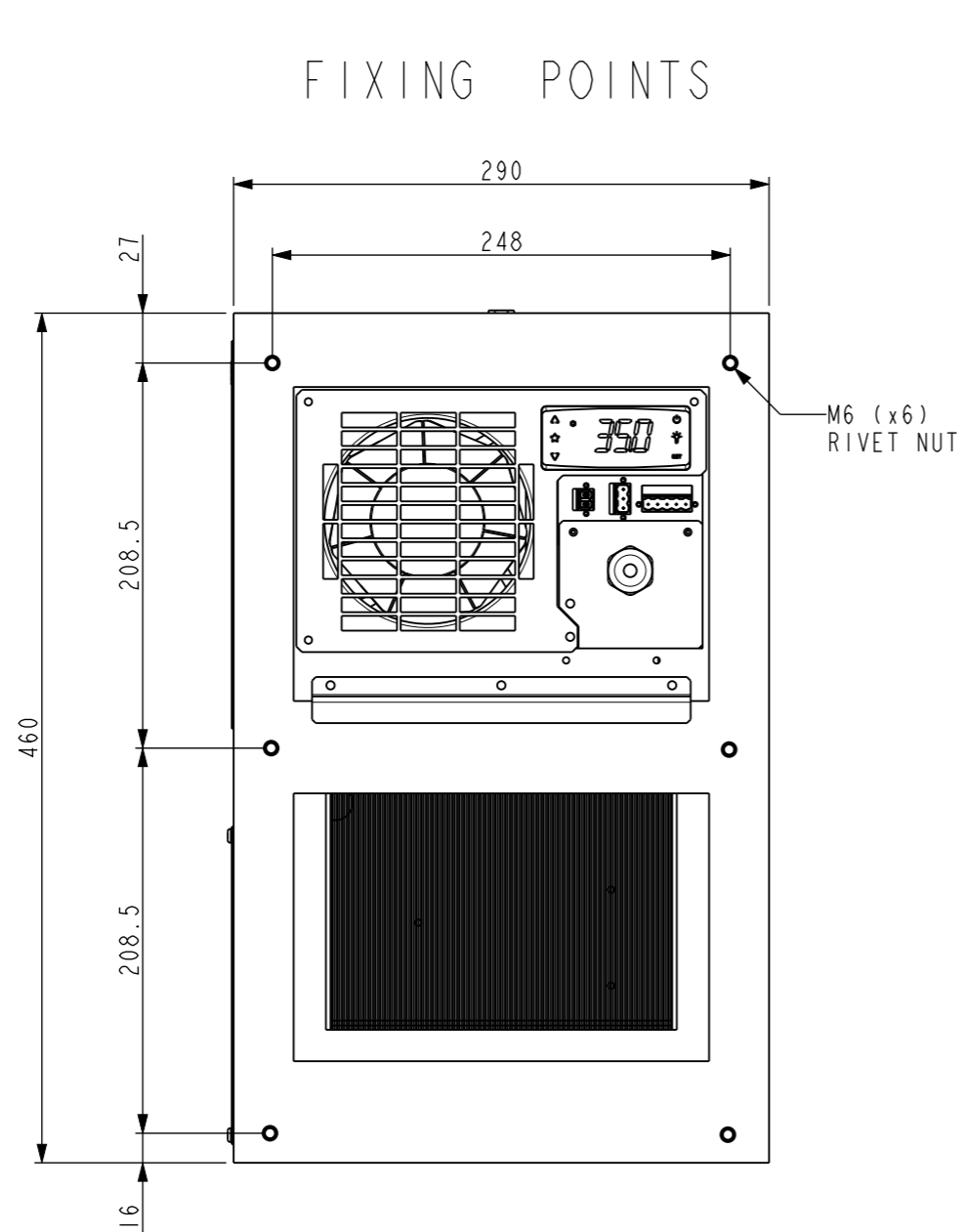
C

D

A

B

C



	Scale: 0.250	Technical Specification: ISO 2768-mK	Units of measure : mm	
		Document Description: CONNECT OUTDOOR COOL UNIT SIDE 350W 600W		
		Document Number: GEX8222702	Doc. Rev. 00	Sheet: 2/2

The information is highly confidential and is the exclusive property of Schneider Electric copyright reserved. This drawing must not be used for any purpose other than that expressly permitted in writing by the owners and must not be disclosed or reproduced in any way without permission from the owners in writing. This drawing must be returned to the owners when the purpose has ceased.

Released for Manufacturing
Printed on 2024/06/12