

A

B

C

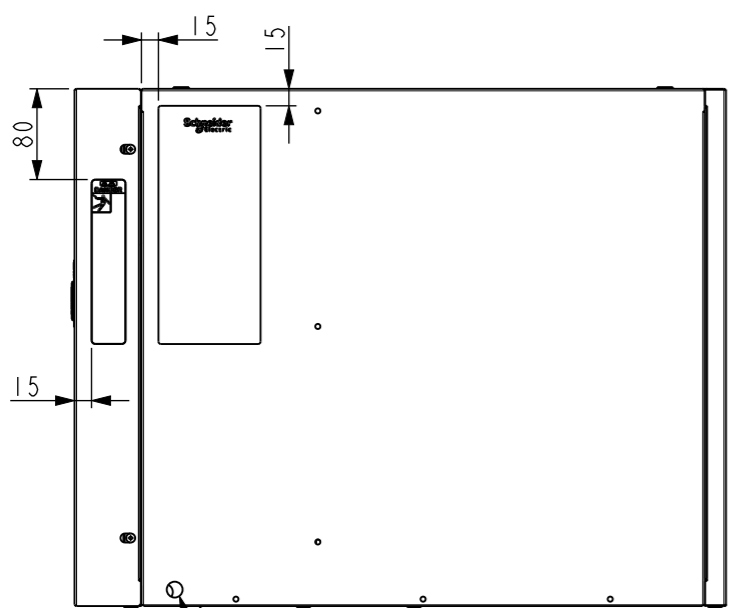
D

A

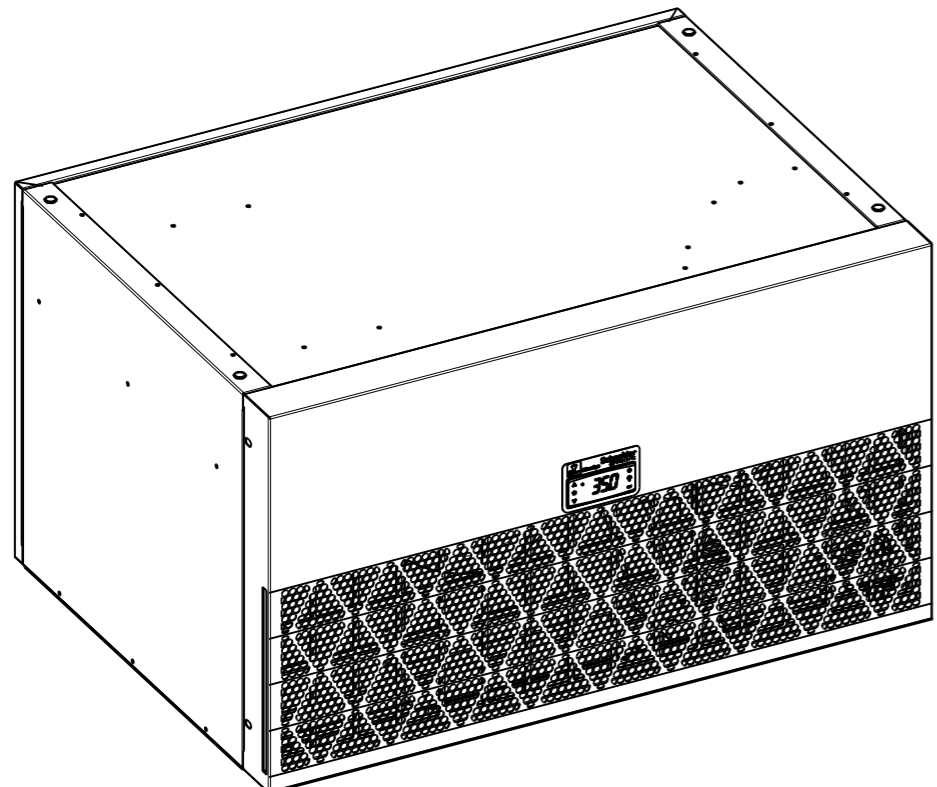
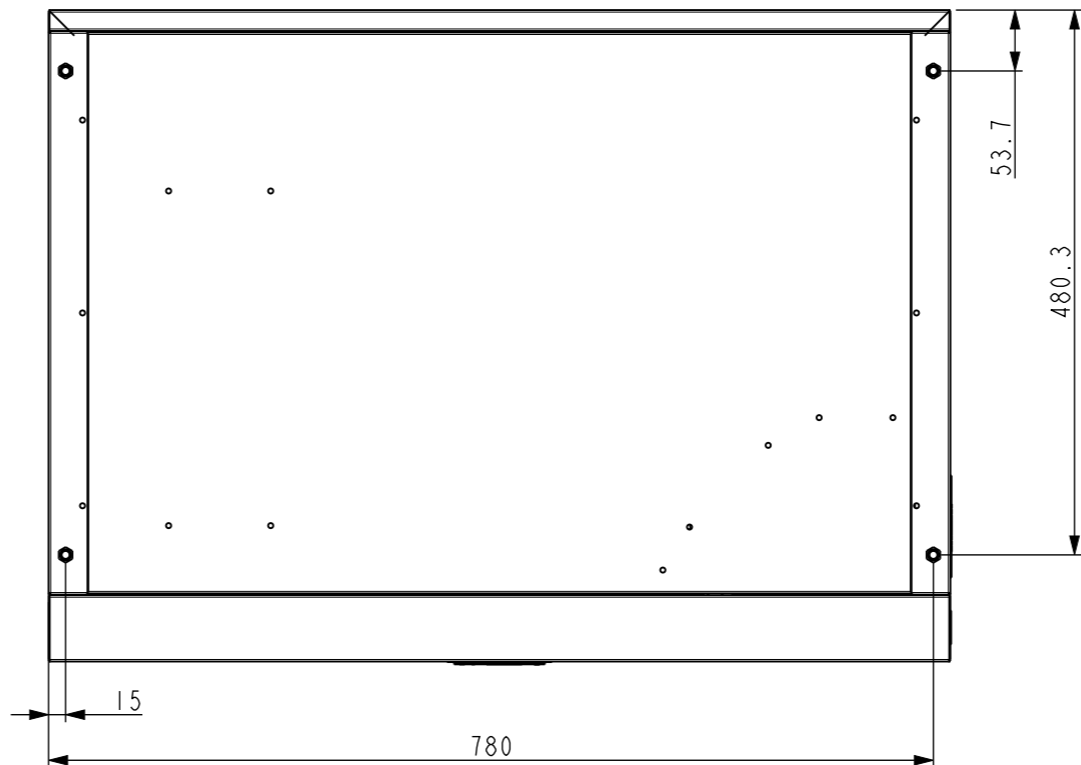
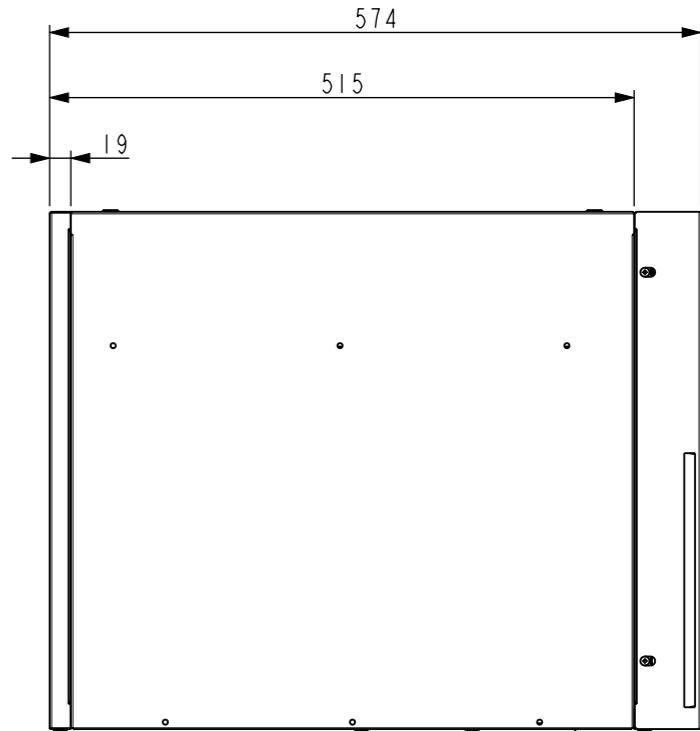
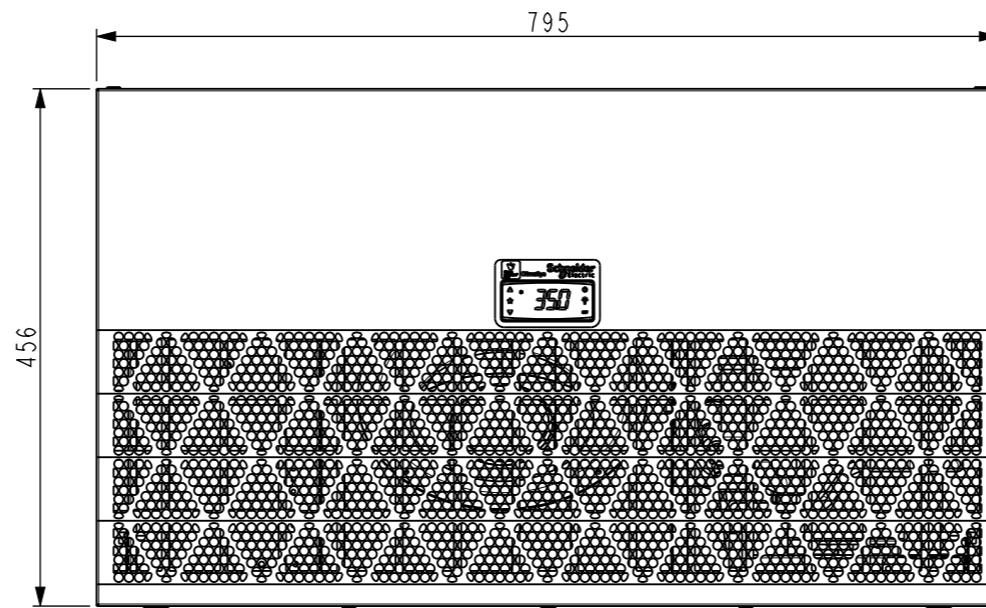
B

C

D



PLUG FOR CONDENSATE DRAIN



SCALE 0.125

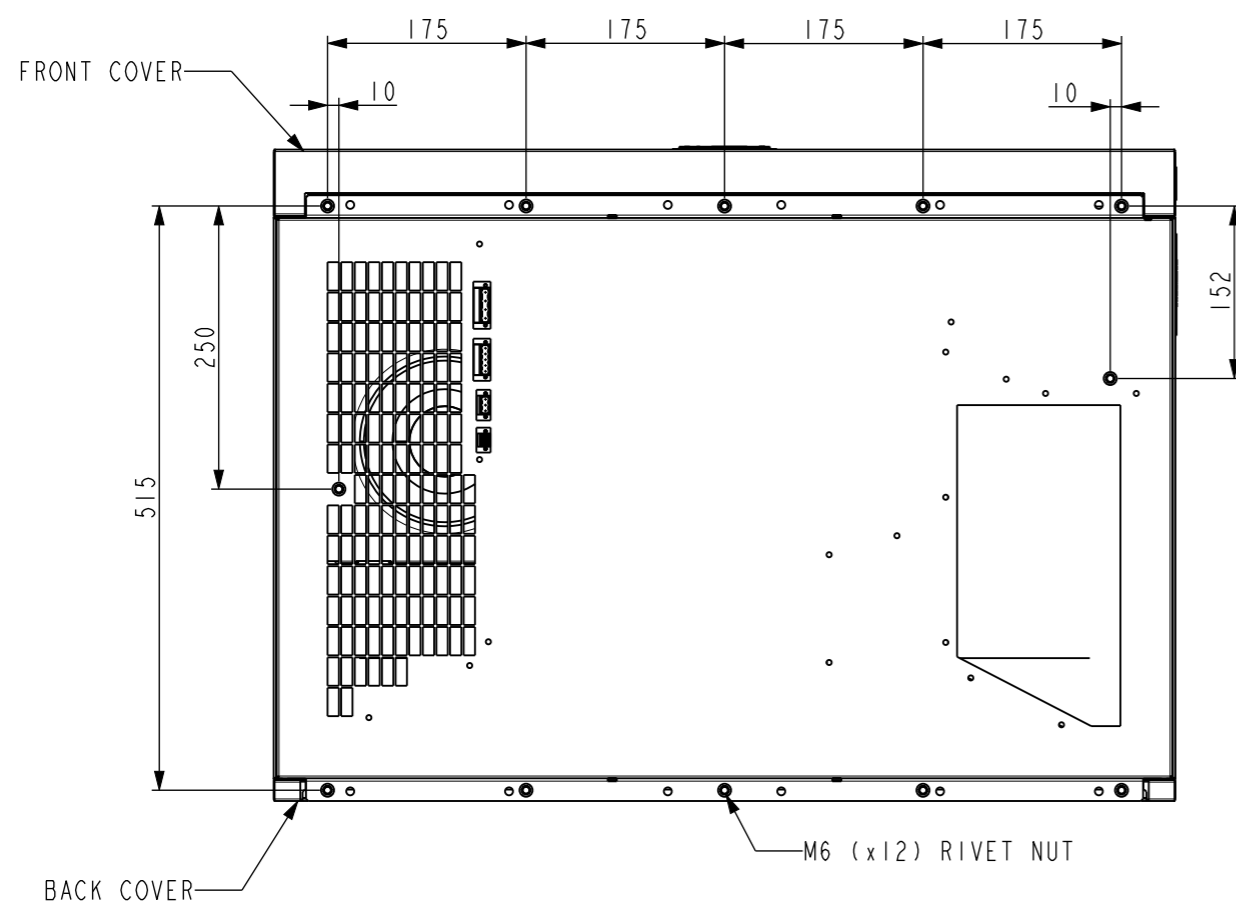
COMMERCIAL REFERENCE	WEIGHT
NSYCU3K3P4RDG	54.2 kg
NSYCU4K3P4RDG	57.2 kg

	Scale: 0.150 Technical Specification:	Units of measure: mm	
	Document Description: <b>CONNECT COOL UNIT ROOF 3KW 4KW 3P380/460V</b>		
Document Number: <b>GEX8220101</b>		Doc. Rev.: <b>00.10</b>	Sheet: 1/3

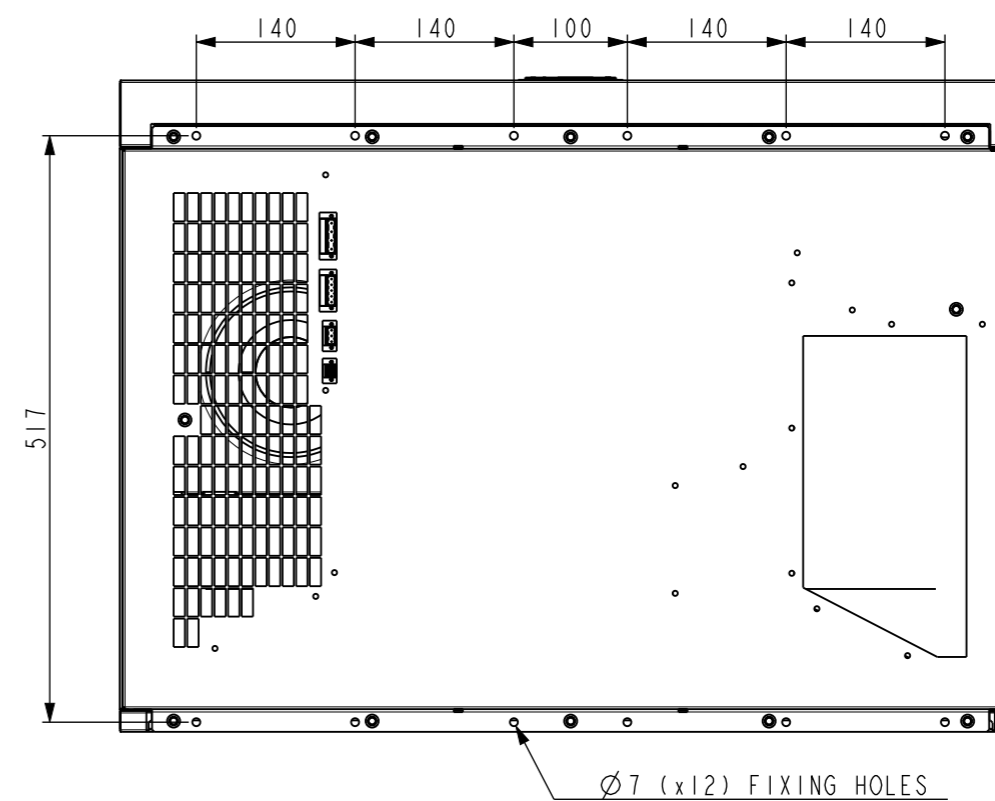
The information is highly confidential and is the exclusive property of Schneider Electric copyright reserved. This drawing must not be used for any purpose other than that expressly permitted in writing by the owners and must not be disclosed or reproduced in any way without permission from the owners in writing. This drawing must be returned to the owners when the purpose has ceased.

Released for Manufacturing  
Printed on 2024/06/12

### INTERNAL MOUNTING FIXING POINTS



### EXTERNAL MOUNTING FIXING POINTS\*



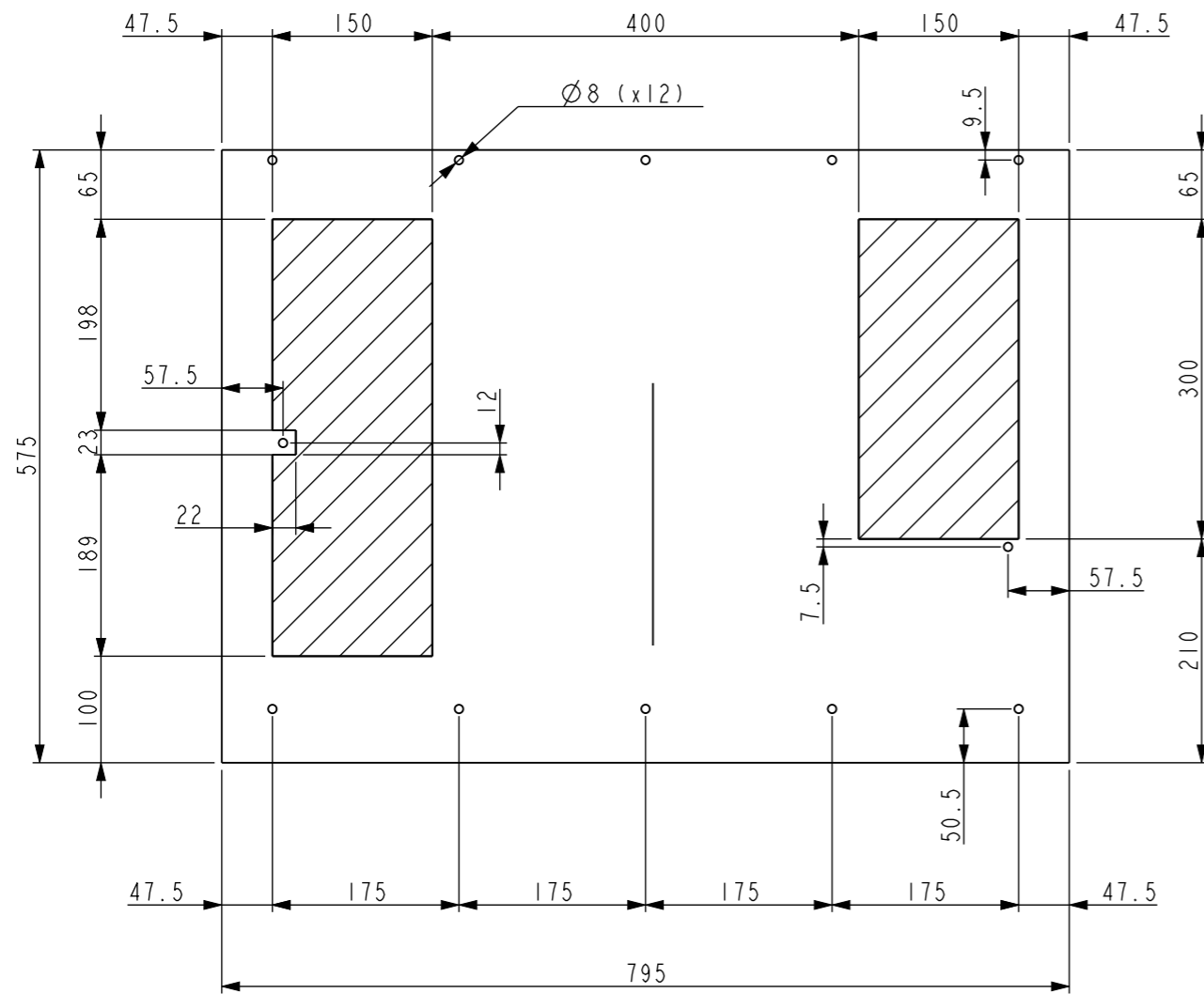
\* Requires to rivet 12x M6 blind popnuts in the enclosure roof at the position of the fixing holes.

	Scale: 0.150	Technical Specification:	Units of measure: mm
		Document Description: CONNECT COOL UNIT ROOF 3KW 4KW 3P380/460V	
		Document Number: <b>GEX8220101</b>	Doc. Rev. Sheet: <b>00.10 2/3</b>

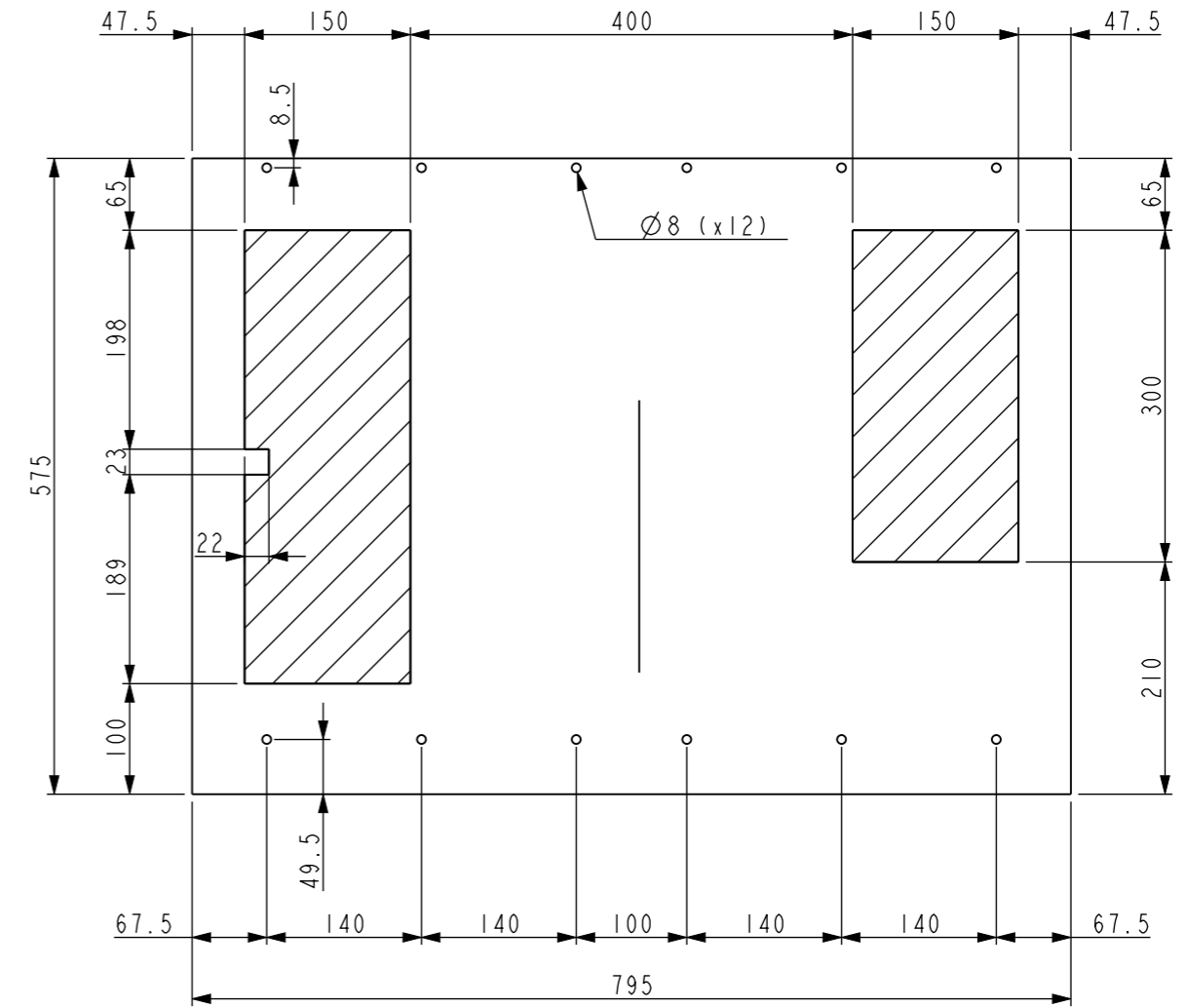
The information is highly confidential and is the exclusive property of Schneider Electric copyright reserved. This drawing must not be used for any purpose other than that expressly permitted in writing by the owners and must not be disclosed or reproduced in any way without permission from the owners in writing. This drawing must be returned to the owners when the purpose has ceased.

Released for Manufacturing  
Printed on 2024/06/12

## INTERNAL MOUNTING CUTOUT



## EXTERNAL MOUNTING CUTOUT\*



\* Requires to rivet 12x M6 blind popnuts in the enclosure roof at the position of the fixing holes.

	Scale: 0.150	Technical Specification:	Units of measure: mm
		Document Description: CONNECT COOL UNIT ROOF 3KW 4KW 3P380/460V	
Document Number: <b>GEX8220101</b>			Doc. Rev. Sheet: <b>00.10</b> 3/3
<small>The information is highly confidential and is the exclusive property of Schneider Electric copyright reserved. This drawing must not be used for any purpose other than that expressly permitted in writing by the owners and must not be disclosed or reproduced in any way without permission from the owners in writing. This drawing must be returned to the owners when the purpose has ceased.</small>		Released for Manufacturing Printed on 2024/06/12	