

A

B

C

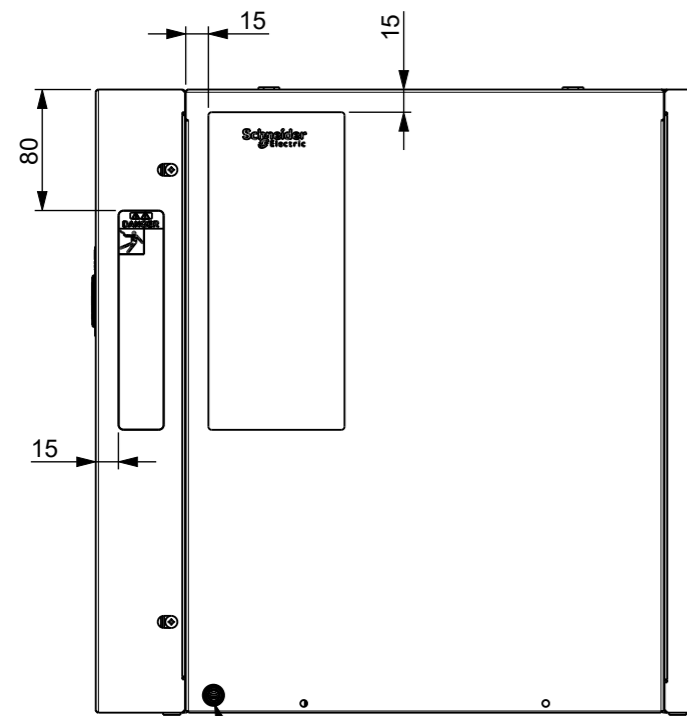
D

A

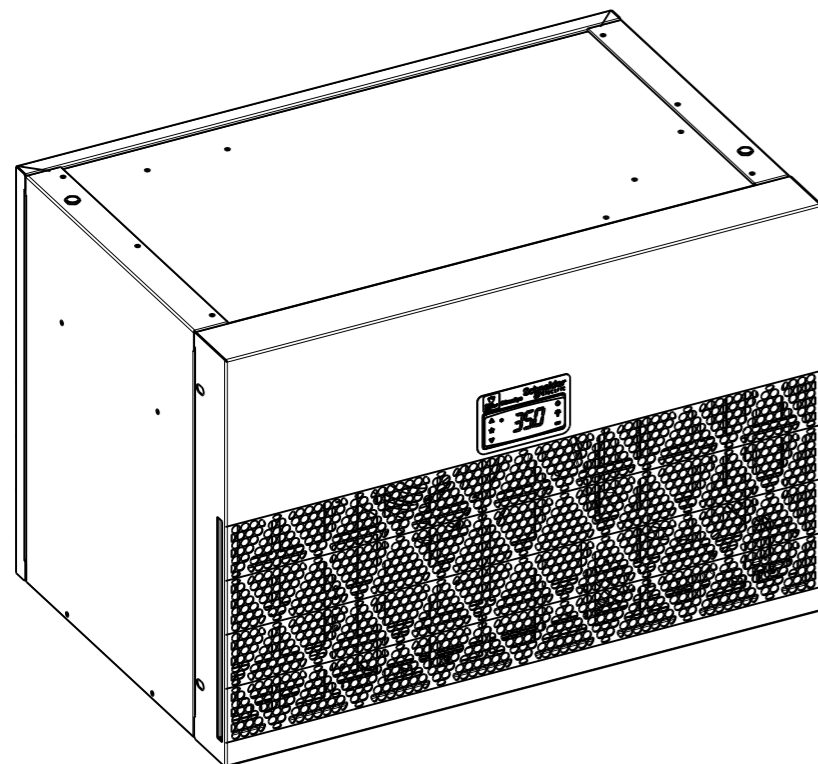
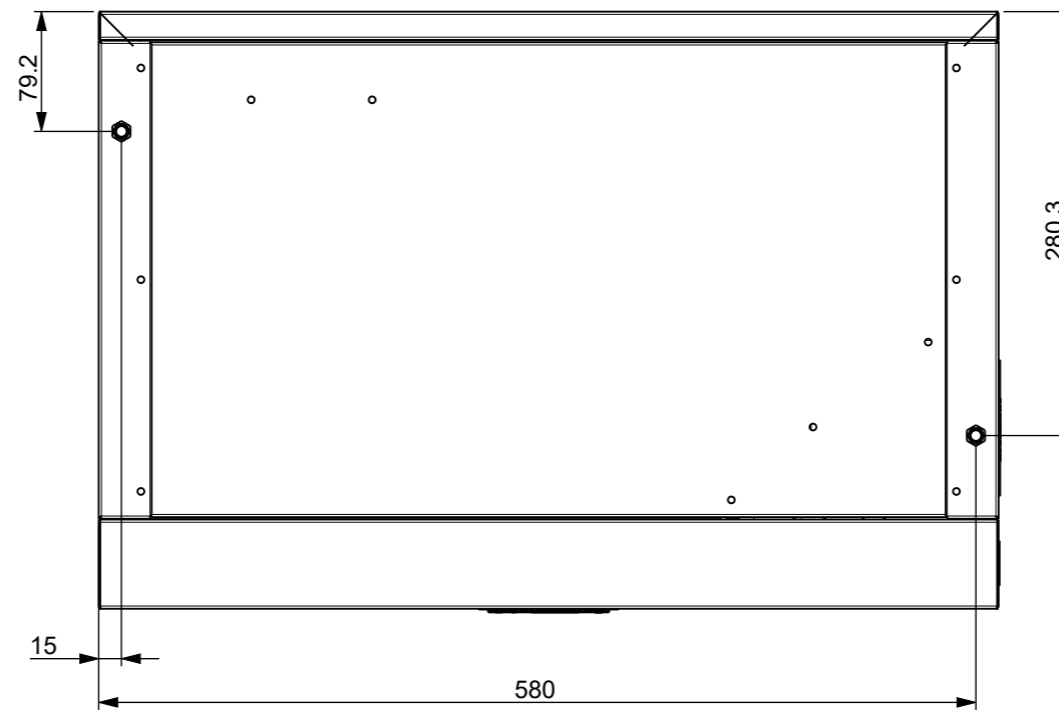
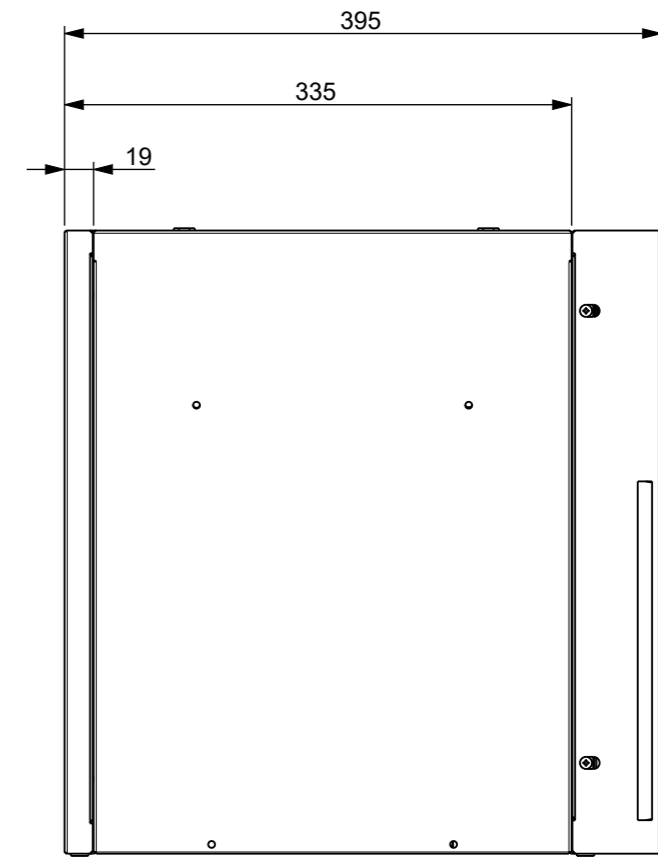
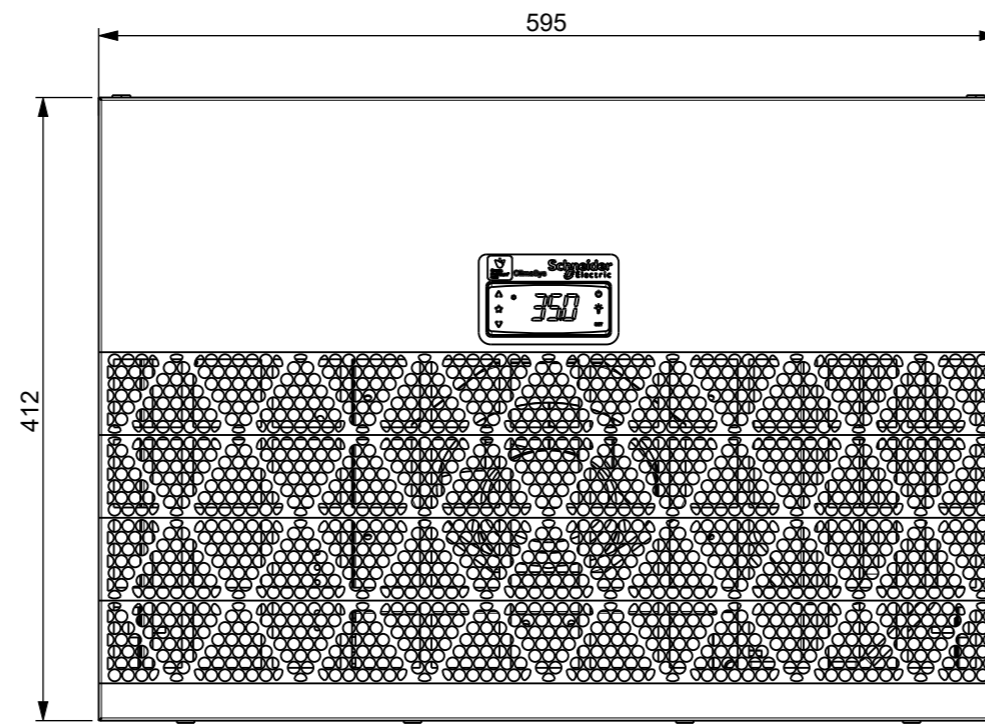
B

C

D



PLUG FOR CONDENSATE DRAIN



SCALE 0.150

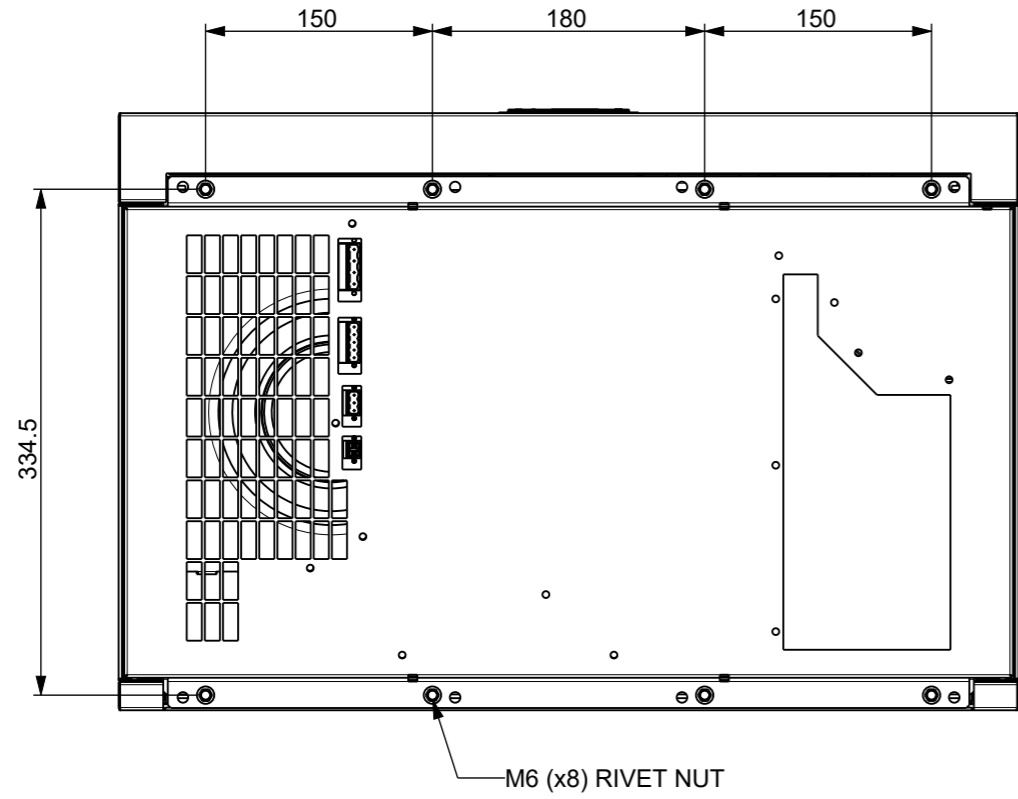
COMMERCIAL REFERENCE	WEIGHT
NSYCU800RDG	27.5 kg
NSYCU8002P4RDG	32 kg
NSYCU1K2RDG	34.5 kg
NSYCU1K22P4RDG	39 kg
NSYCU1K5RDG	34.5 kg
NSYCU1K52P4RDG	39 kg

	Scale: 0.200 Technical Specification: ISO 2768-mK Units of measure: mm
	Document Description: CONNECT COOLING UNIT ROOF 800W 1K2W 1K5W Document Number: GEX8219002 Doc. Rev. 00 Sheet: 1/3

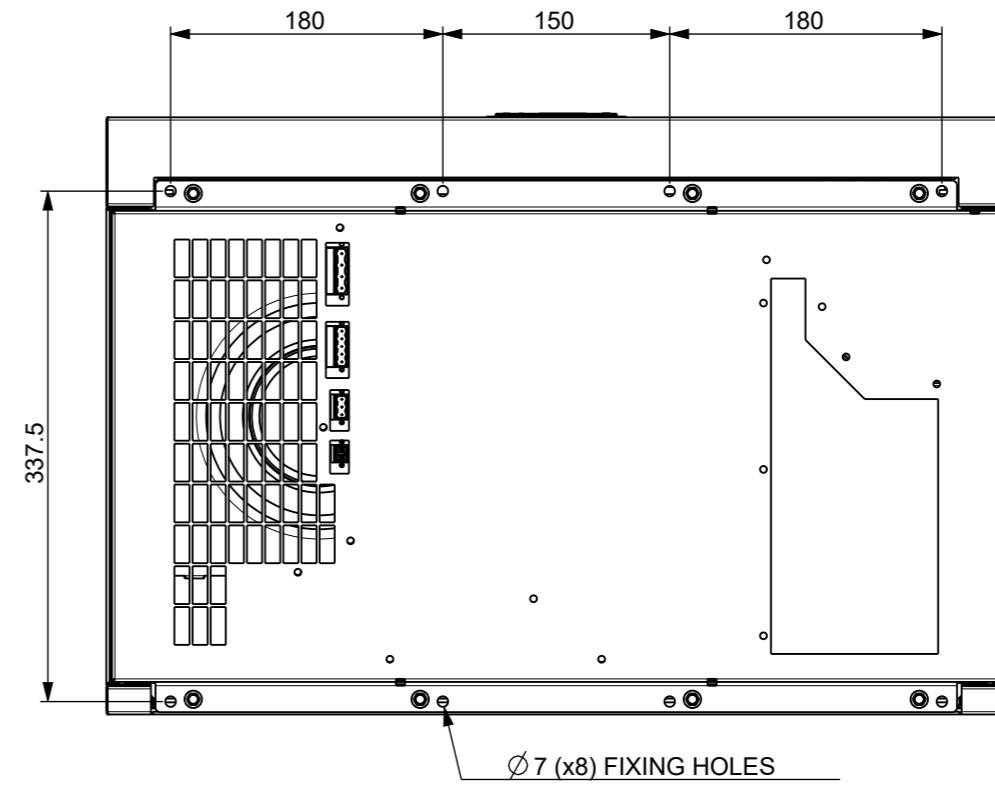
The information is highly confidential and is the exclusive property of Schneider Electric copyright reserved. This drawing must not be used for any purpose other than that expressly permitted in writing by the owners and must not be disclosed or reproduced in any way without permission from the owners in writing. This drawing must be returned to the owners when the purpose has ceased.

Released for Manufacturing
 Printed on 2024/06/12

INTERNAL MOUNTING FIXING POINTS



EXTERNAL MOUNTING FIXING POINTS*



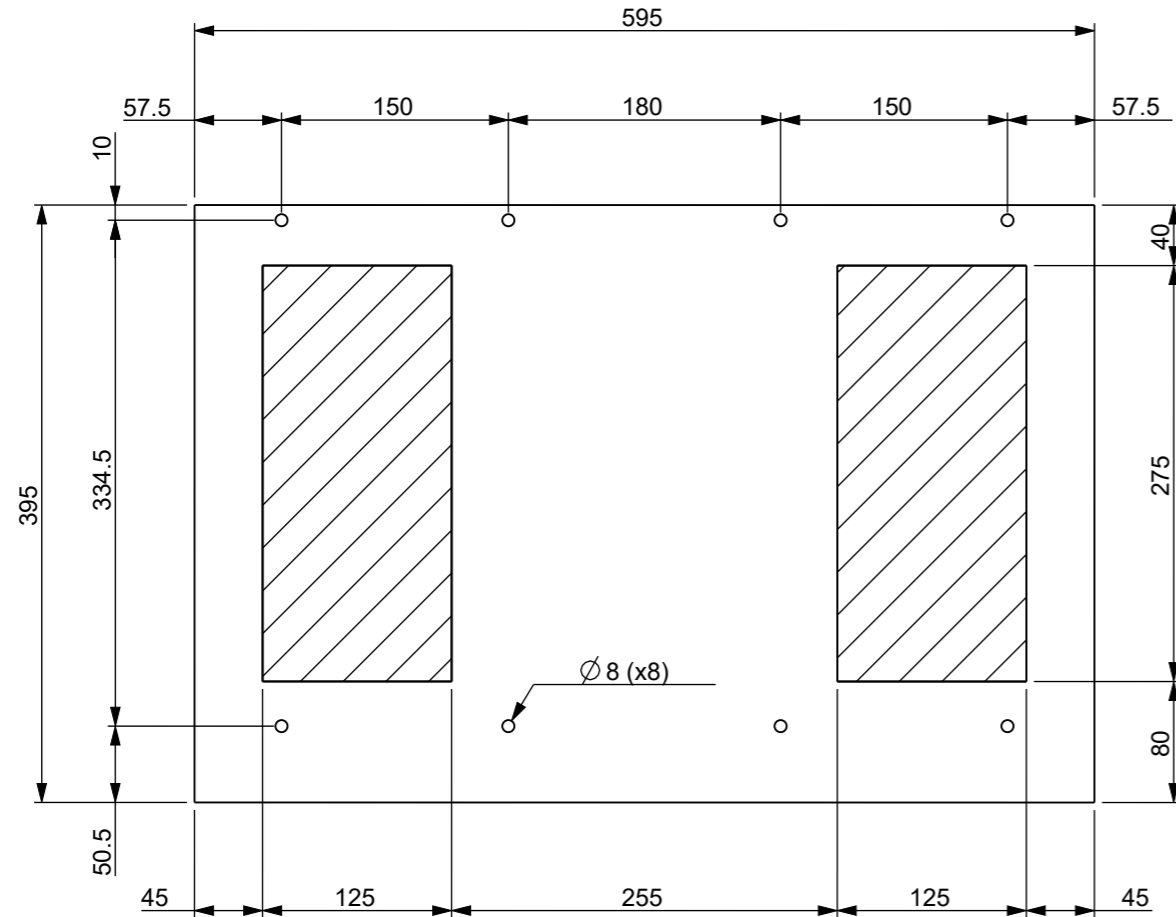
* Requires to rivet 8x M6 blind popnuts in the enclosure roof at the position of the fixing holes.

	Scale: 0.200	Technical Specification: ISO 2768-mK	Units of measure : mm
		Document Description: CONNECT COOLING UNIT ROOF 800W 1K2W 1K5W	
		Document Number: GEX8219002	Doc. Rev. Sheet: 00 2/3

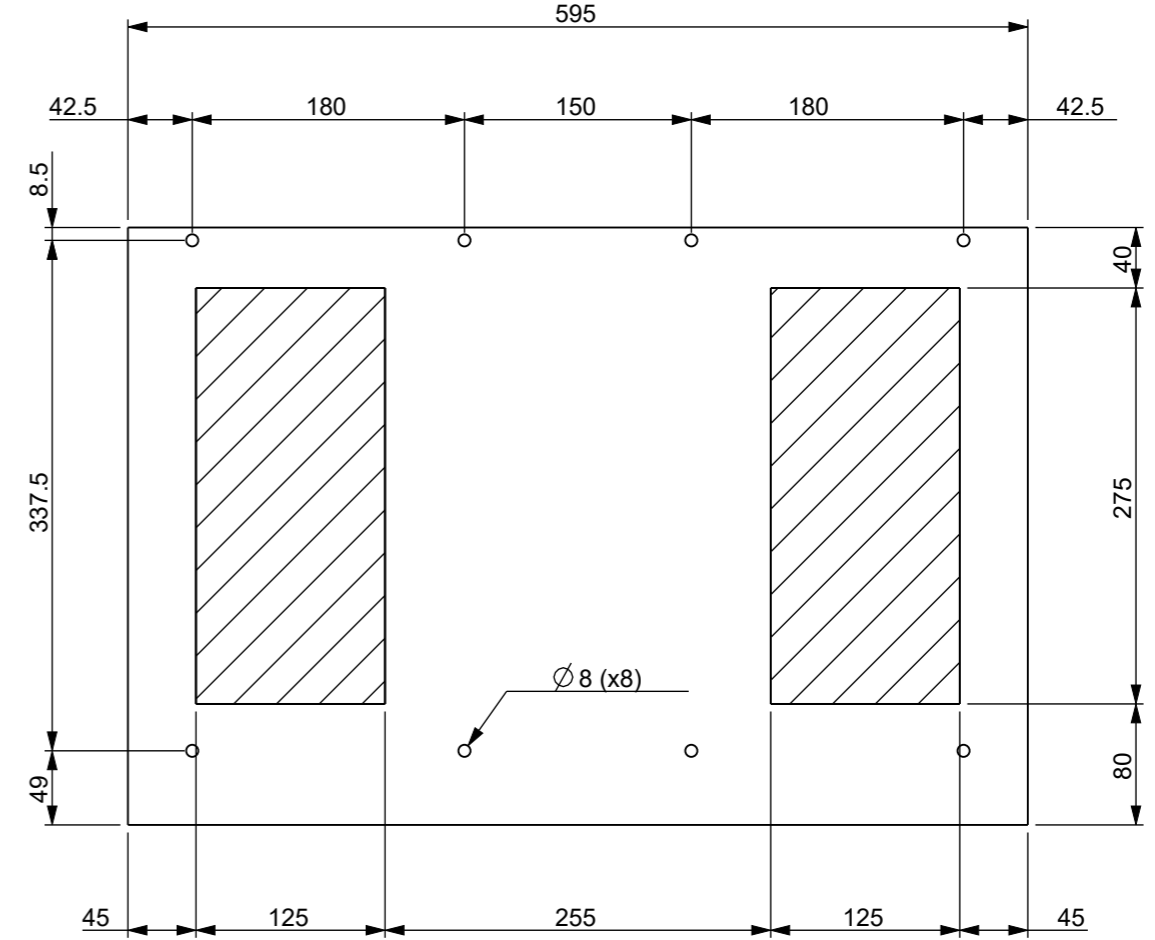
The information is highly confidential and is the exclusive property of Schneider Electric copyright reserved. This drawing must not be used for any purpose other than that expressly permitted in writing by the owners and must not be disclosed or reproduced in any way without permission from the owners in writing. This drawing must be returned to the owners when the purpose has ceased.

Released for Manufacturing
Printed on 2024/06/12

INTERNAL MOUNTING CUTOUT



EXTERNAL MOUNTING CUTOUT*



* Requires to rivet 8x M6 blind popnuts in the enclosure roof at the position of the fixing holes.

	Scale: 0.200	Technical Specification: ISO 2768-mK	Units of measure : mm
		Document Description: CONNECT COOLING UNIT ROOF 800W 1K2W 1K5W	
		Document Number: GEX8219002	Doc. Rev. Sheet: 00 3/3

The information is highly confidential and is the exclusive property of Schneider Electric copyright reserved. This drawing must not be used for any purpose other than that expressly permitted in writing by the owners and must not be disclosed or reproduced in any way without permission from the owners in writing. This drawing must be returned to the owners when the purpose has ceased.

Released for Manufacturing
Printed on 2024/06/12