

A

B

C

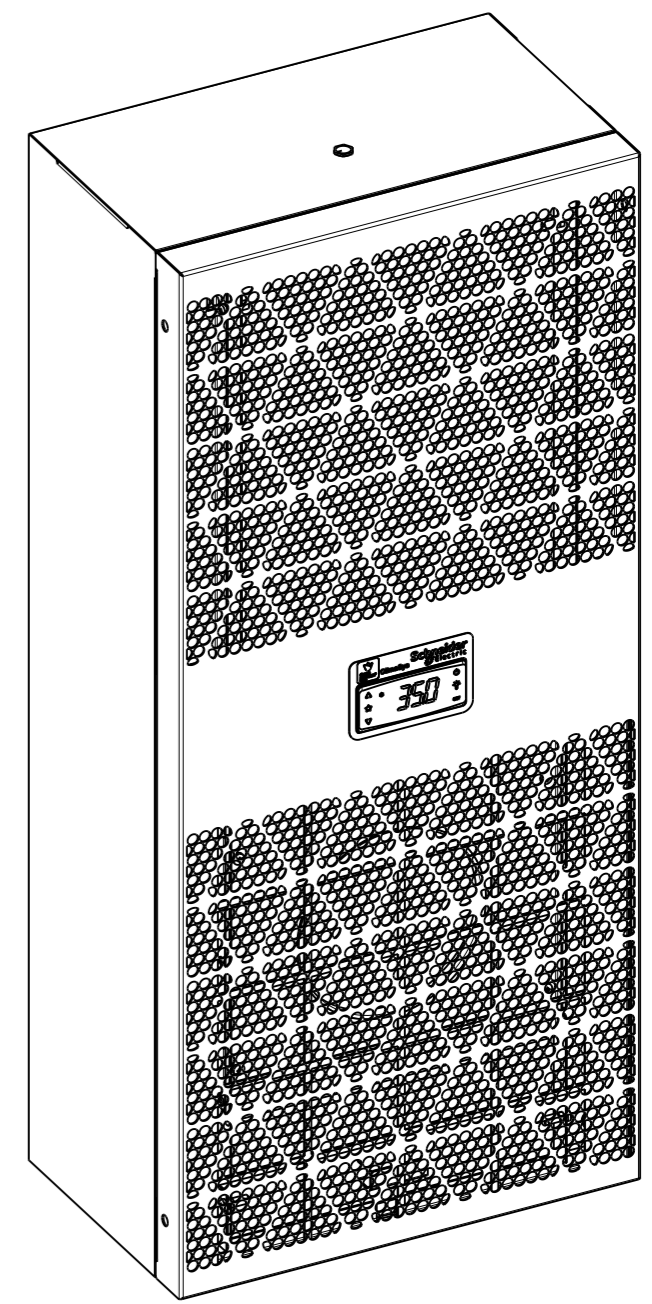
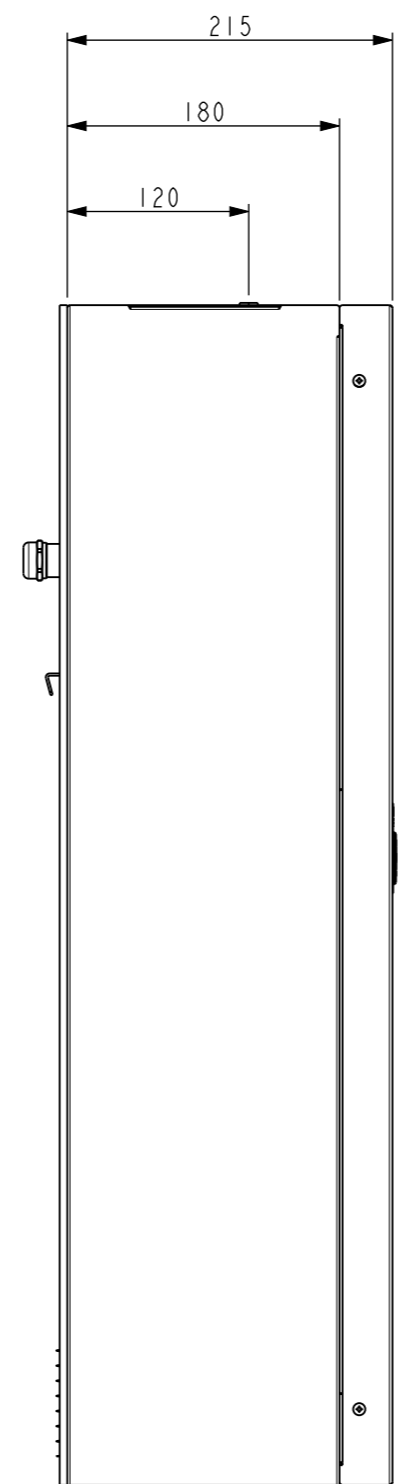
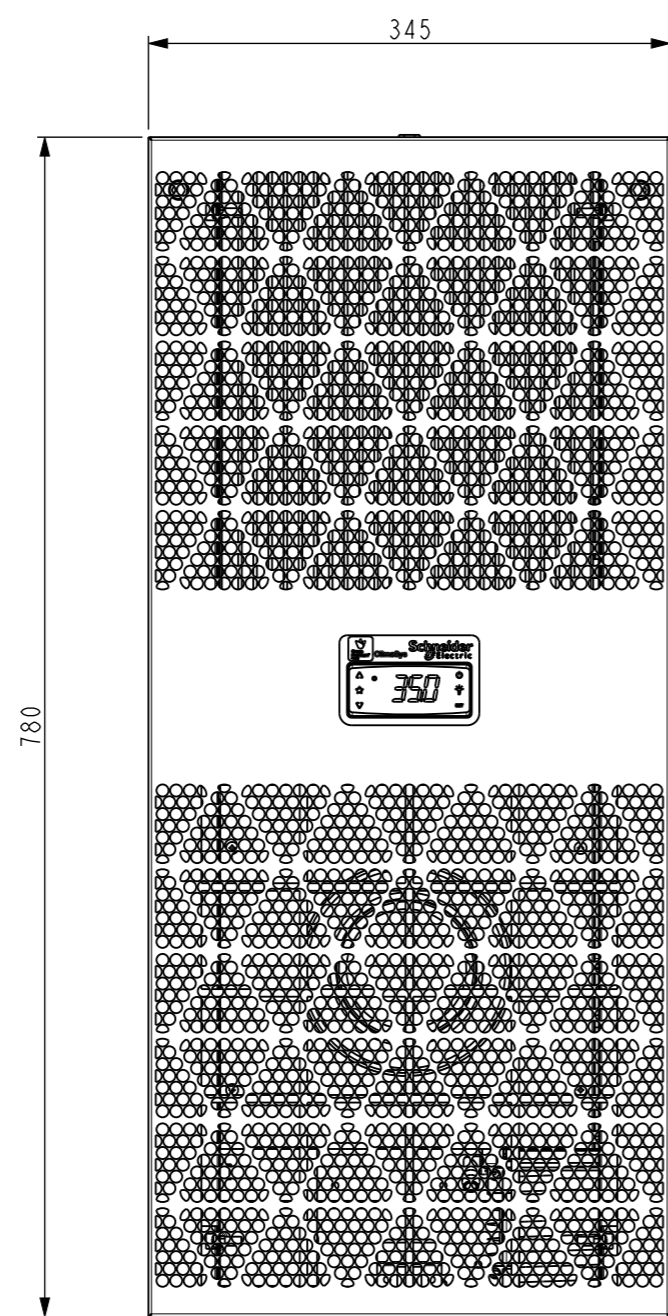
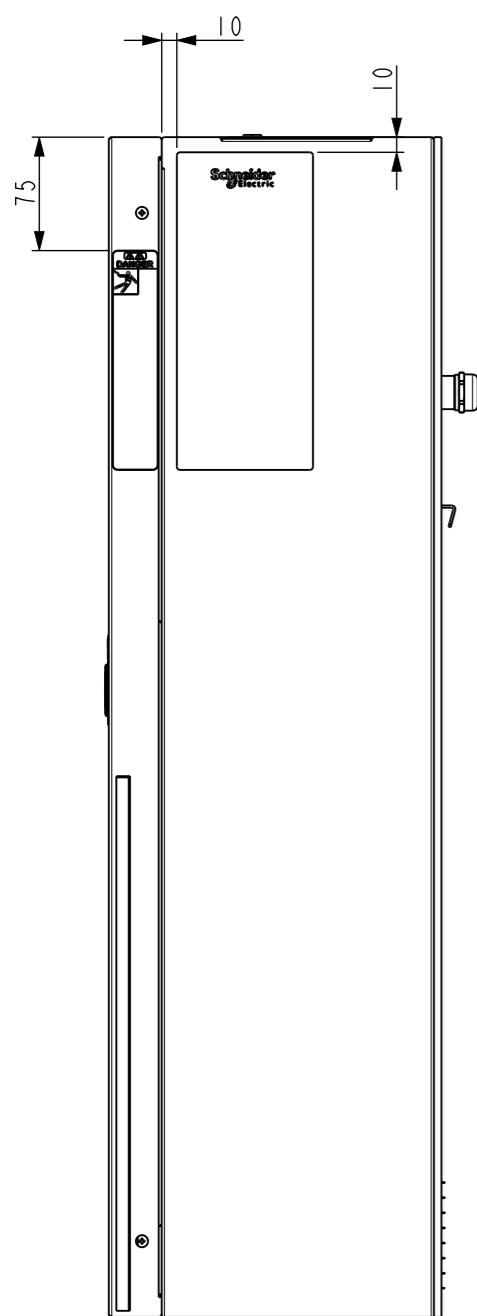
D

A

B

C

D



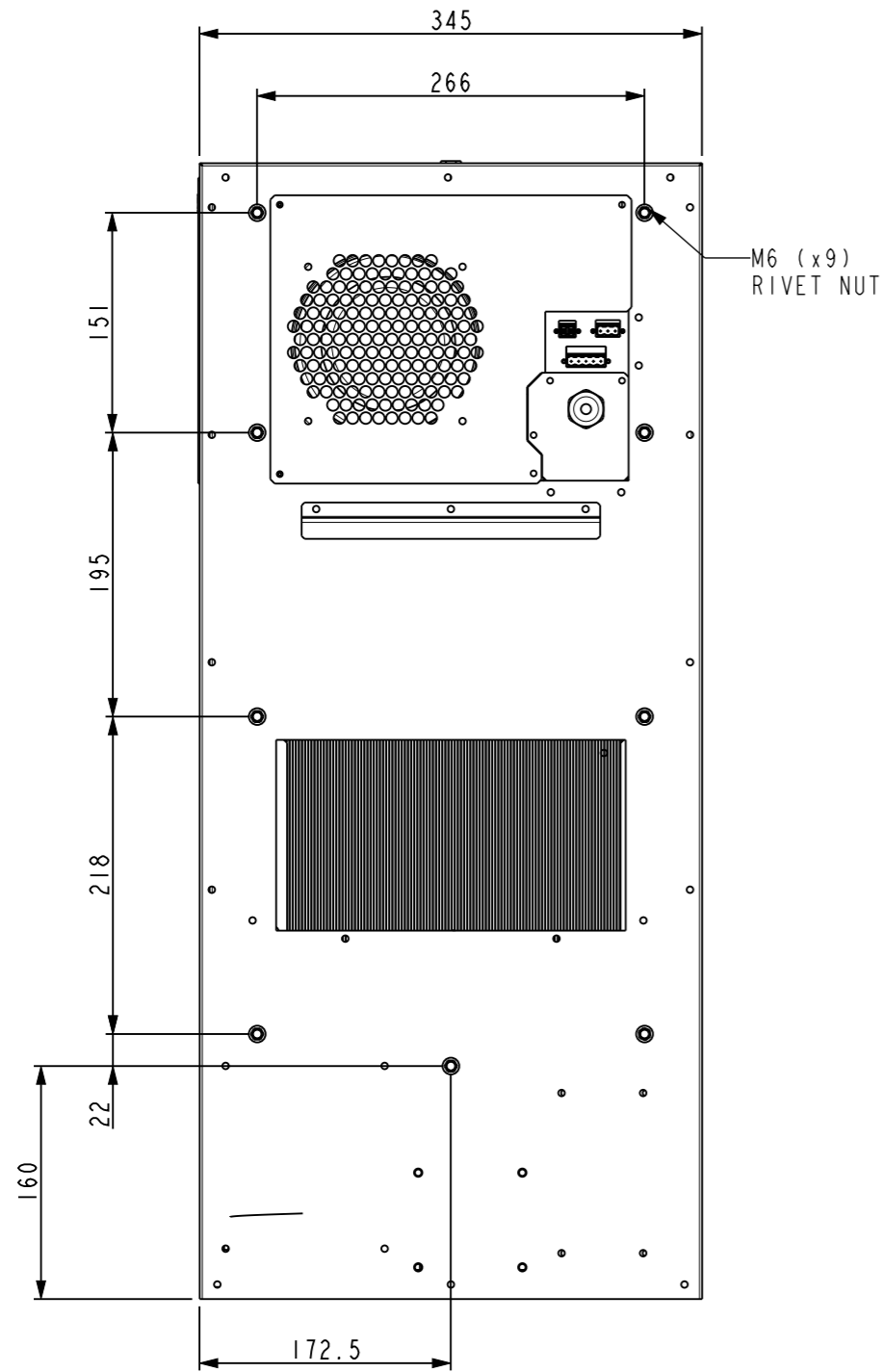
Commercial Reference	Weight
NSYCU800DG	22.4 kg
NSYCU8002P4DG	27.4 kg
NSYCU1KDG	22.4 kg
NSYCUX1KDG	22.4 kg
NSYCU1K2P4DG	27.4 kg
NSYCUX1K2P4DG	27.4 kg

	Scale: 0.200 Technical Specification: ISO 2768-mK Units of measure: mm
	Document Description: CONNECT COOLING UNIT SIDE 800W 1000W Document Number: GEX8136102 Doc. Rev. 00 Sheet: 1/5

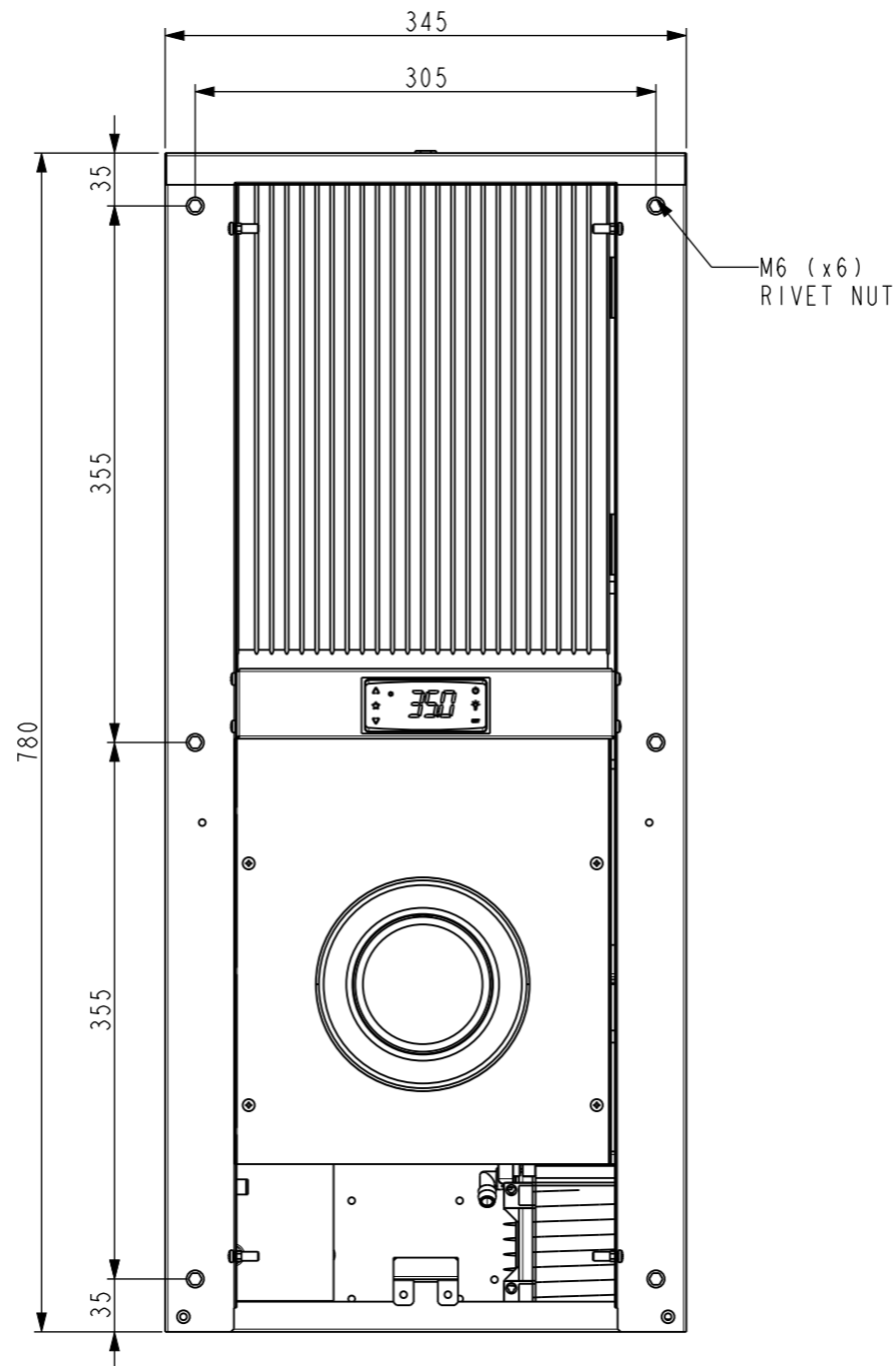
The information is highly confidential and is the exclusive property of Schneider Electric copyright reserved. This drawing must not be used for any purpose other than that expressly permitted in writing by the owners and must not be disclosed or reproduced in any way without permission from the owners in writing. This drawing must be returned to the owners when the purpose has ceased.

Released for Manufacturing
Printed on 2024/06/12

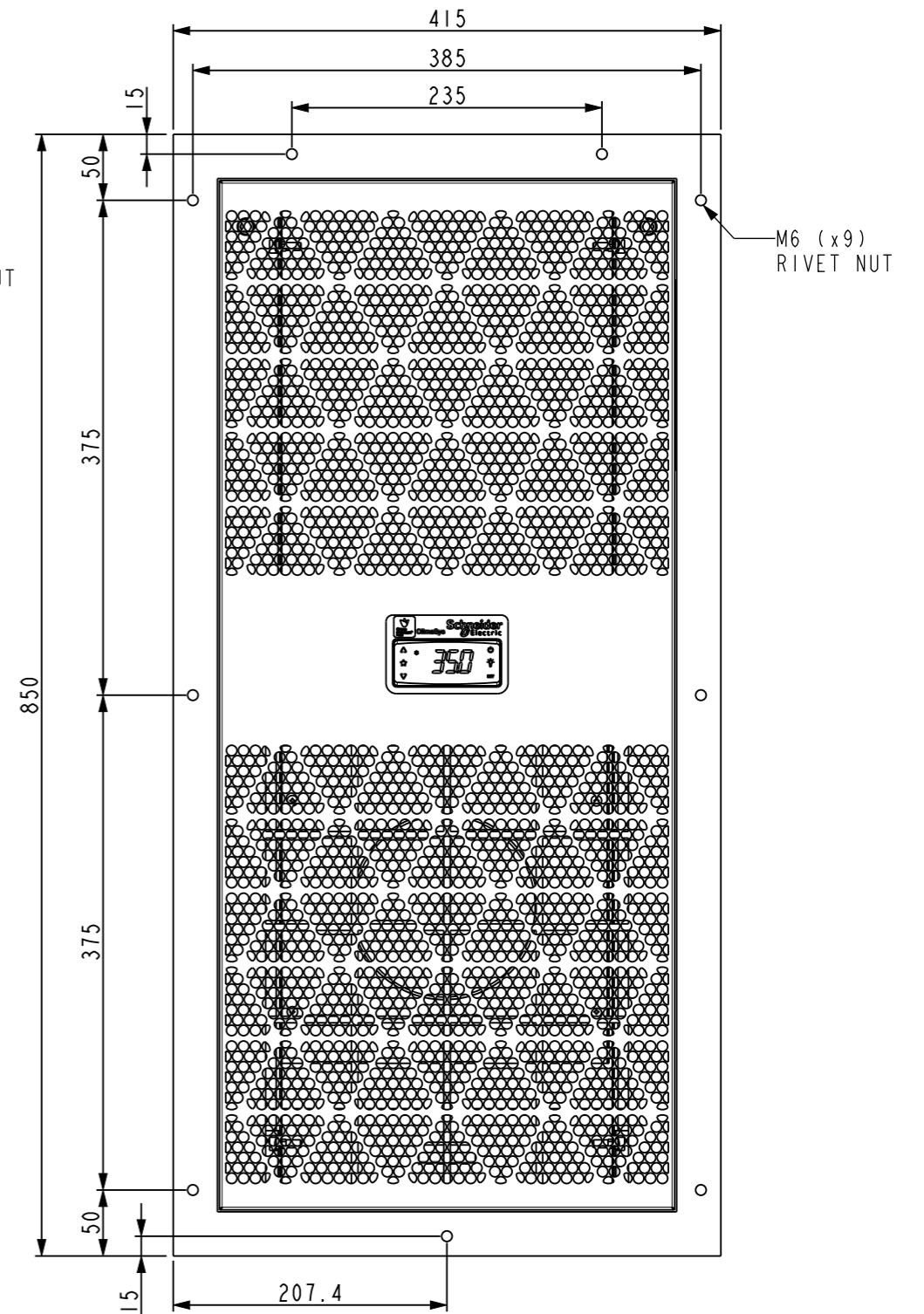
SURFACE MOUNTING
FIXING POINTS



FLUSH MOUNTING
FIXING POINTS



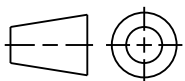
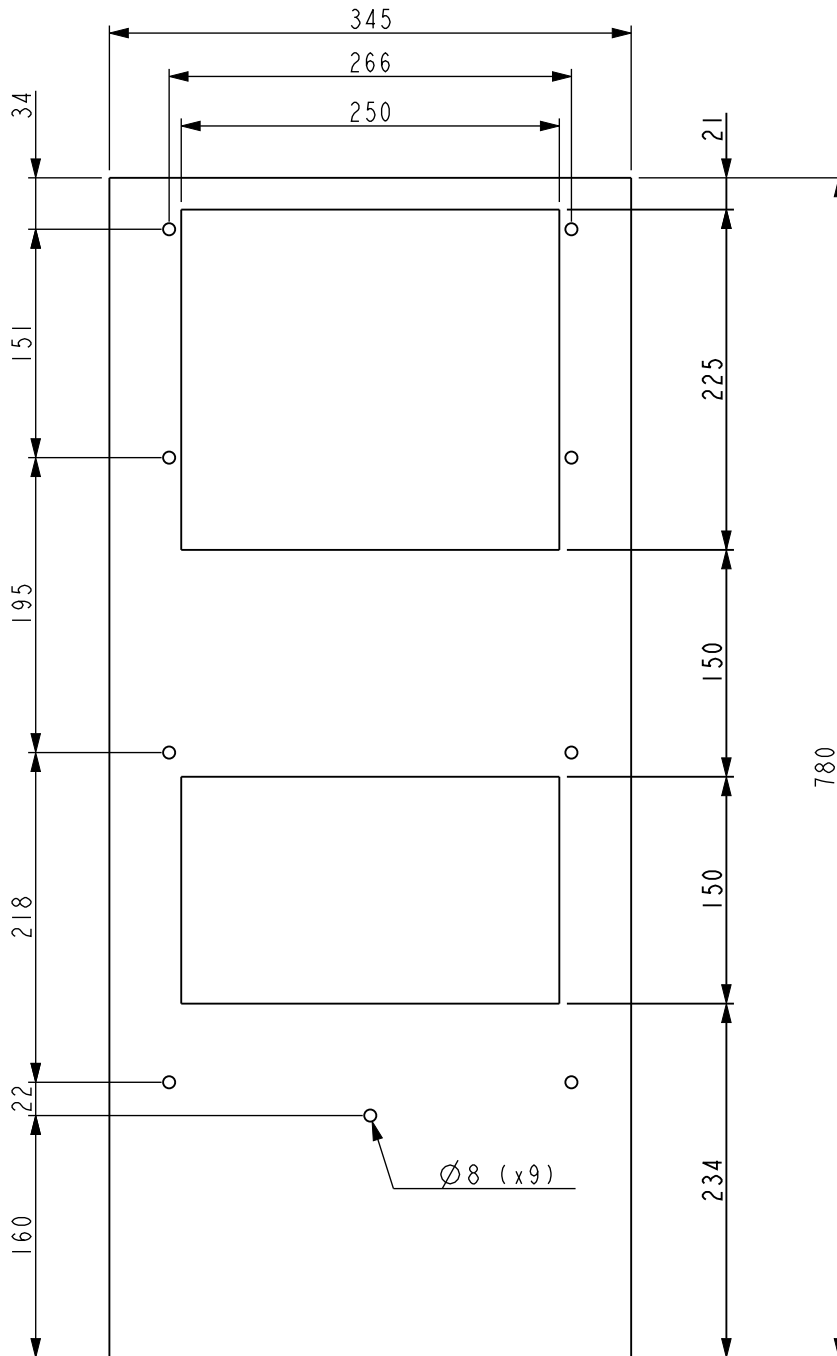
HALF-FLUSH MOUNTING
FIXING POINTS*



*Requires accessory:
NSYCUACC035DG for steel versions
NSYCUACC039DG for stainless steel

	Scale: 0.200	Technical Specification: ISO 2768-mK	Units of measure : mm
		Document Description: CONNECT COOLING UNIT SIDE 800W 1000W	
		Document Number: GEX8136102	Doc. Rev. Sheet: 00 2/5
<small>The information is highly confidential and is the exclusive property of Schneider Electric copyright reserved. This drawing must not be used for any purpose other than that expressly permitted in writing by the owners and must not be disclosed or reproduced in any way without permission from the owners in writing. This drawing must be returned to the owners when the purpose has ceased.</small>		Released for Manufacturing Printed on 2024/06/12	

SURFACE MOUNTING CUT-OUT



Scale:
0.200

Technical Specification:
ISO 2768-mK

Units of measure :
mm



Document Description:
CONNECT COOLING UNIT SIDE 800W 1000W

Document Number:
GEX8136102

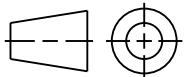
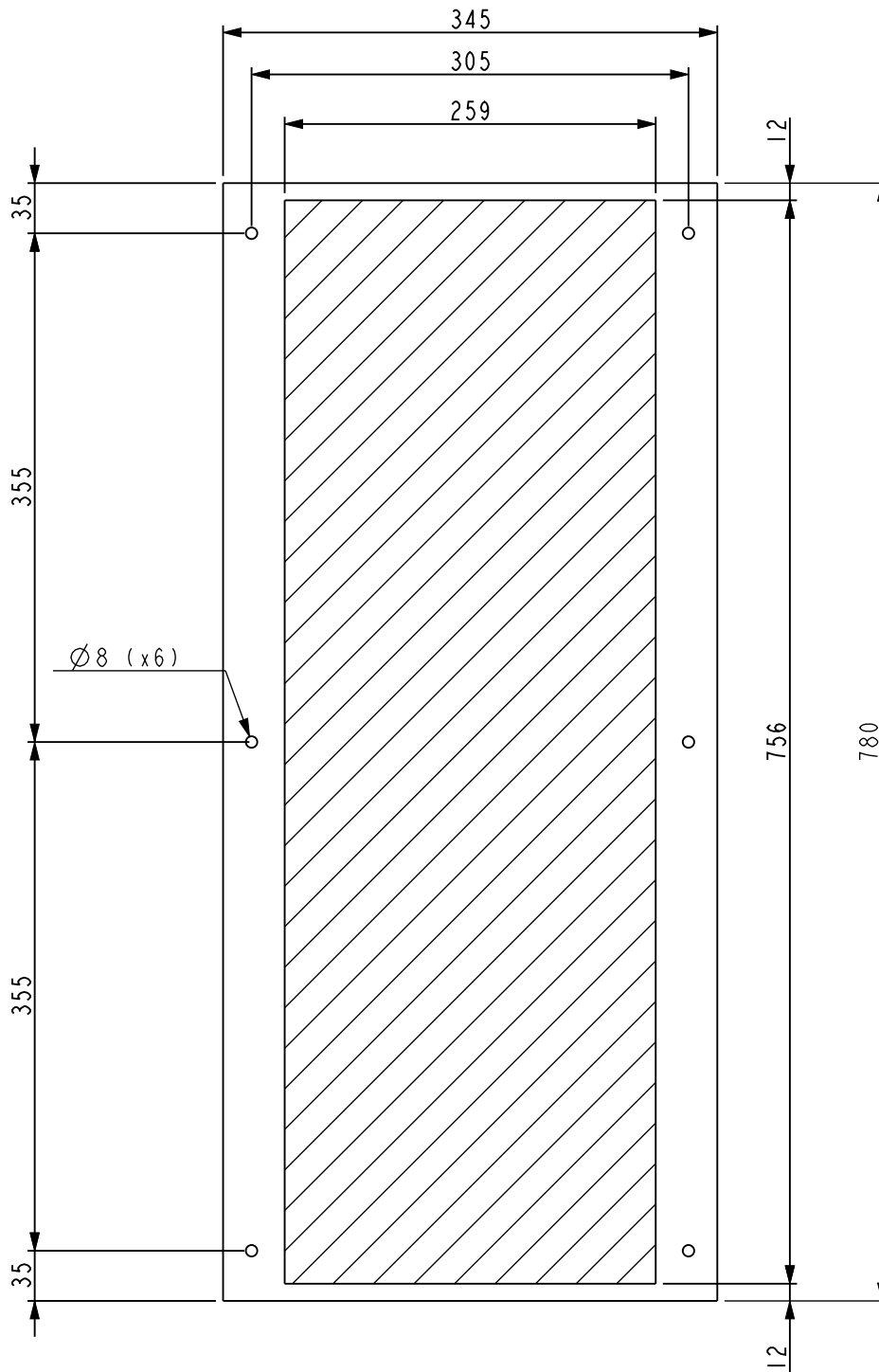
Doc.Rev.:
00.22

Sheet:
3/5

The information is highly confidential and is the exclusive property of Schneider Electric copyright reserved. This drawing must not be used for any purpose other than that expressly permitted in writing by the owners and must not be disclosed or reproduced in any way without permission from the owners in writing. This drawing must be returned to the owners when the purpose has ceased.

Released for Manufacturing
Printed on 2024/06/12

FLUSH MOUNTING CUT-OUT



Scale:
0.200

Technical Specification:
ISO 2768-mK

Units of measure: :
mm

Schneider
Electric

Document Description:

CONNECT COOLING UNIT SIDE 800W 1000W

Document Number:

GEX8136102

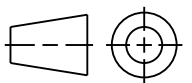
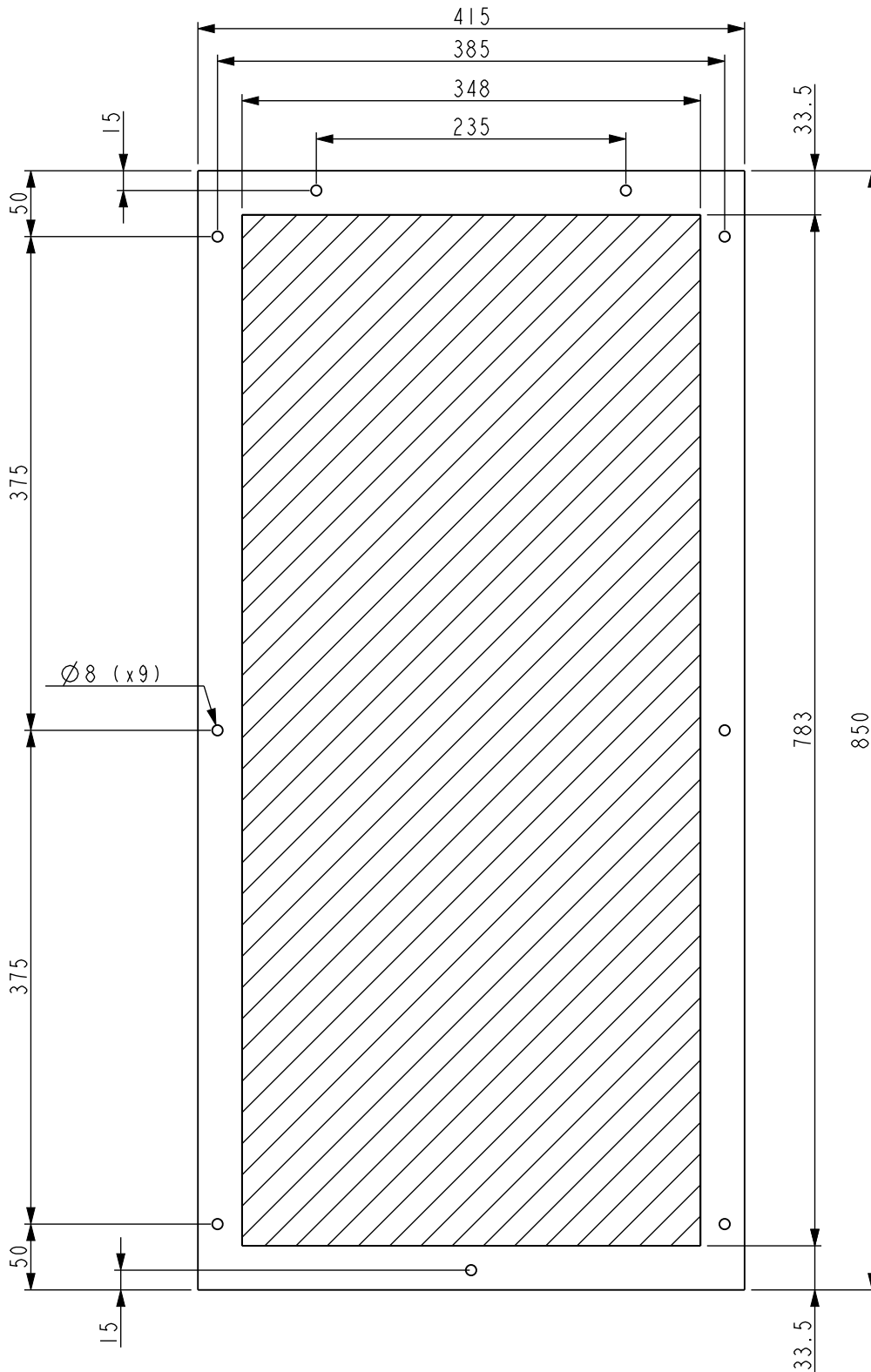
Doc.Rev.:
00.22

Sheet:
4/5

The information is highly confidential and is the exclusive property of Schneider Electric copyright reserved. This drawing must not be used for any purpose other than that expressly permitted in writing by the owners and must not be disclosed or reproduced in any way without permission from the owners in writing. This drawing must be returned to the owners when the purpose has ceased.

Released for Manufacturing
Printed on 2024/06/12

HALF-FLUSH MOUNTING CUT-OUT



Scale:
0.200

Technical Specification:
ISO 2768-mK

Units of measure: :
mm

Schneider
Electric

Document Description:

CONNECT COOLING UNIT SIDE 800W 1000W

Document Number:

GEX8136102

Doc.Rev.:
00.22

Sheet:
5/5

The information is highly confidential and is the exclusive property of Schneider Electric copyright reserved. This drawing must not be used for any purpose other than that expressly permitted in writing by the owners and must not be disclosed or reproduced in any way without permission from the owners in writing. This drawing must be returned to the owners when the purpose has ceased.

Released for Manufacturing
Printed on 2024/06/12