

A

B

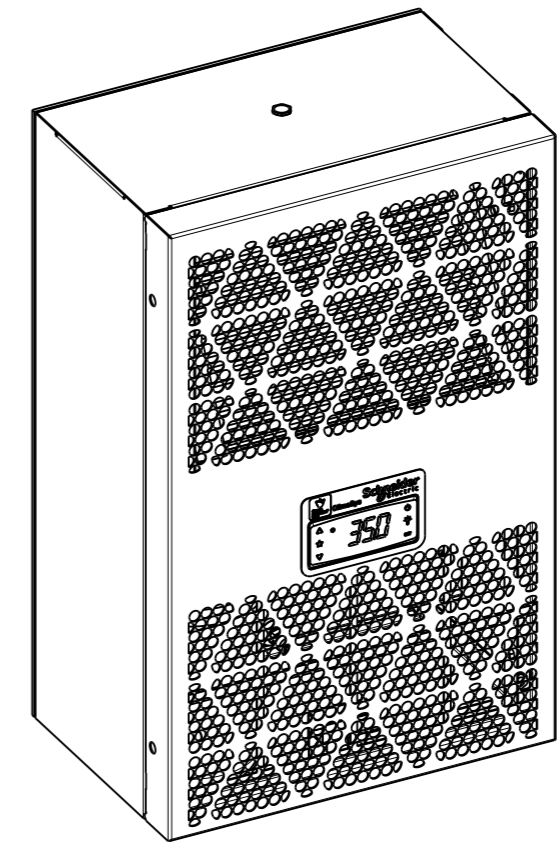
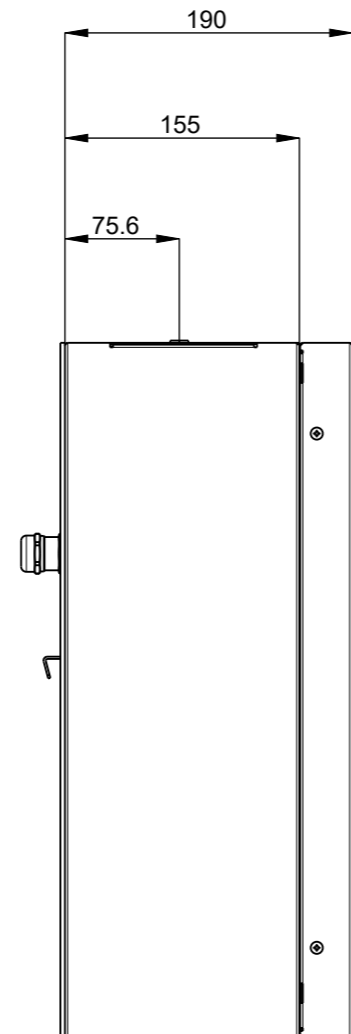
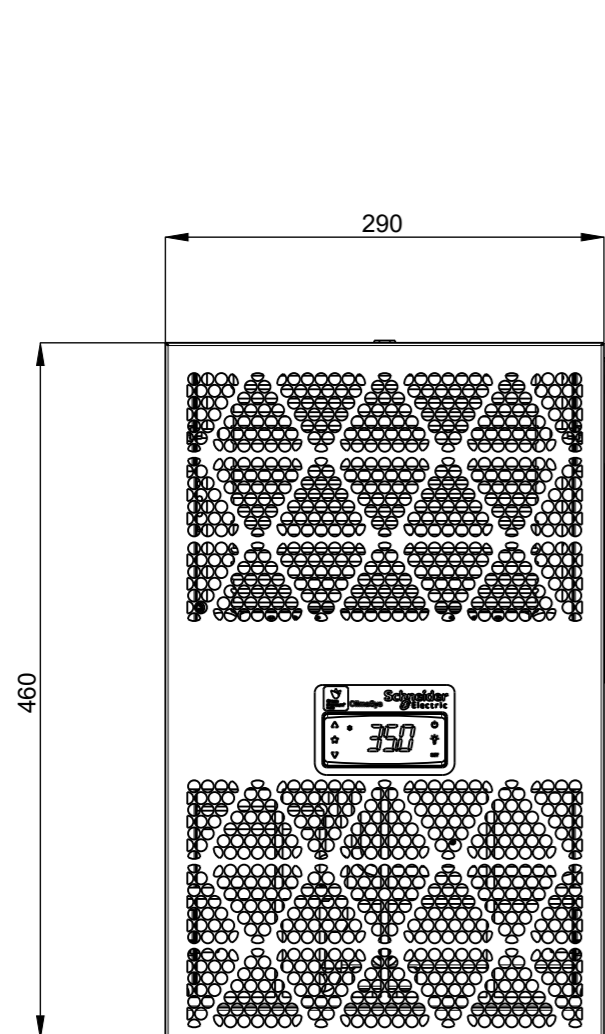
C

D

A

B

C



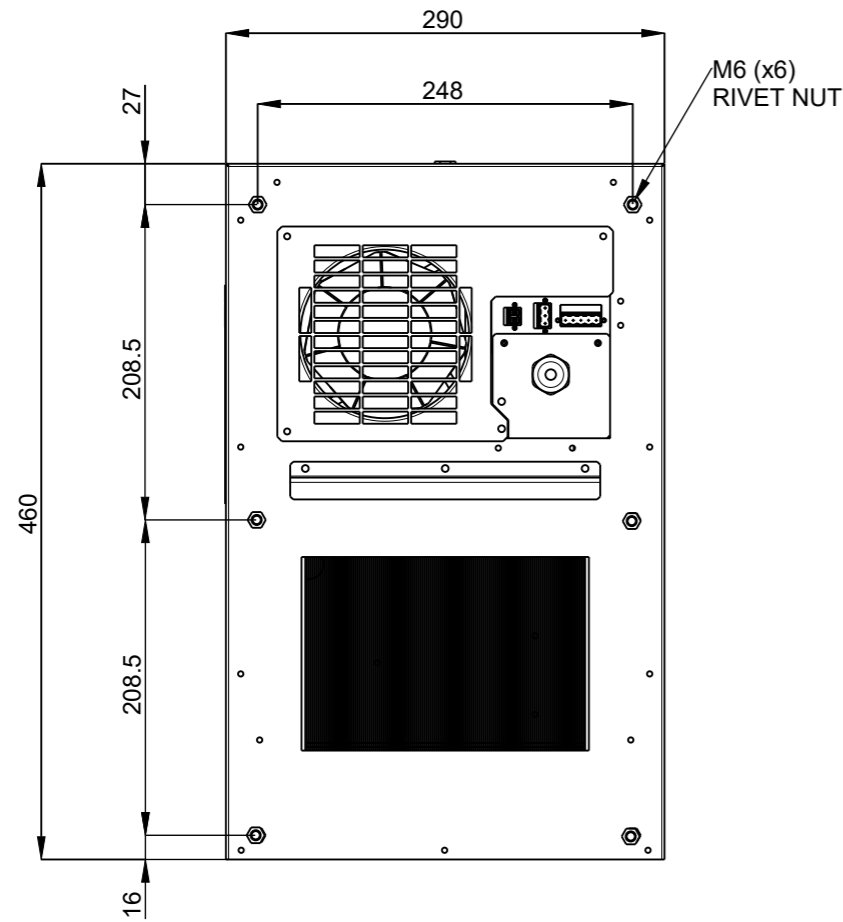
Commercial Reference	Weight
NSYCU350DG	11.7 kg
NSYCUX350DG	11.7 kg
NSYCU600DG	11.7 kg
NSYCUX600DG	11.7 kg

	Scale: 0.200 Technical Specification:	Units of measure : mm	
	Document Description: CONNECT COOLING UNIT SIDE 350W / 600W 230V		Doc. Ver. 00.13
Document Number: GEX8130602			

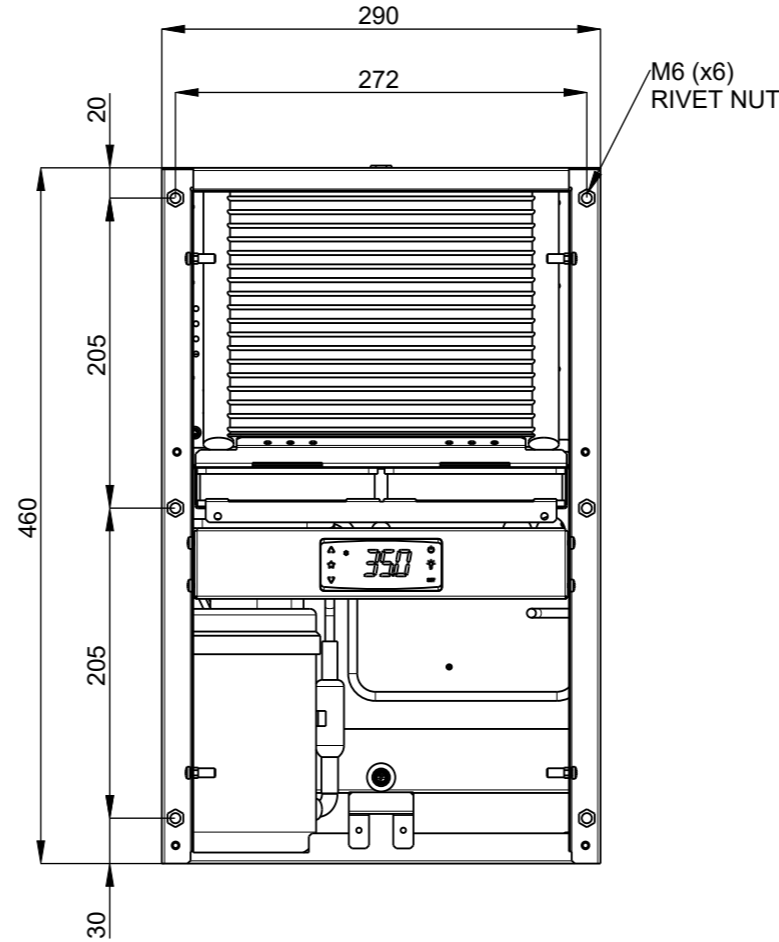
The information is highly confidential and is the exclusive property of Schneider Electric copyright reserved. This drawing must not be used for any purpose other than that expressly permitted in writing by the owners and must not be disclosed or reproduced in any way without permission from the owners in writing. This drawing must be returned to the owners when the purpose has ceased.

Released for Manufacturing
 Printed on 2024/06/12

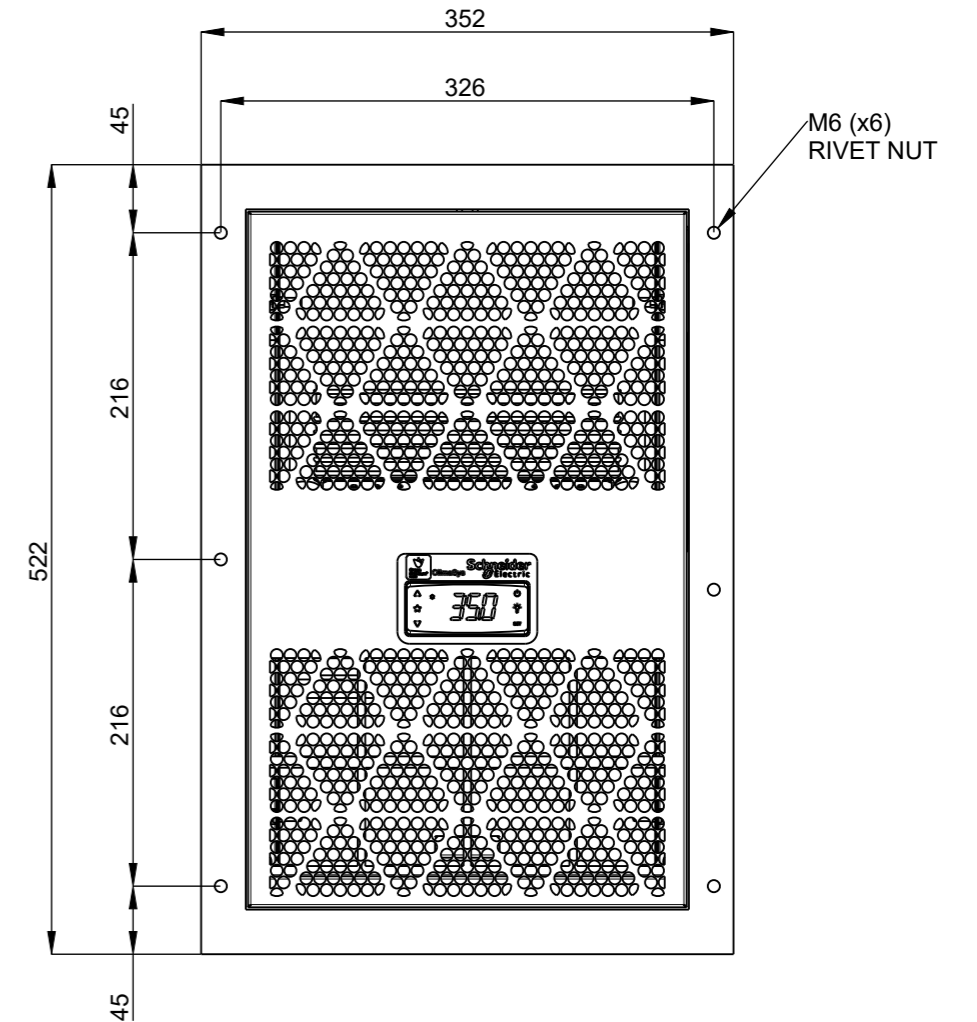
SURFACE MOUNTING FIXING POINTS



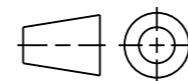
FLUSH MOUNTING FIXING POINTS



HALF-FLUSH MOUNTING FIXING POINTS*



*Requires accessory:
NSYCUACC034DG for steel versions
NSYCUACC038DG for stainless steel



Scale:
0.200

Technical Specification:

Units of measure :
mm



Document Description:

CONNECT COOLING UNIT SIDE 350W / 600W 230V

Document Number:

GEX8130602

Doc. Ver.

00.13

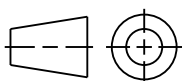
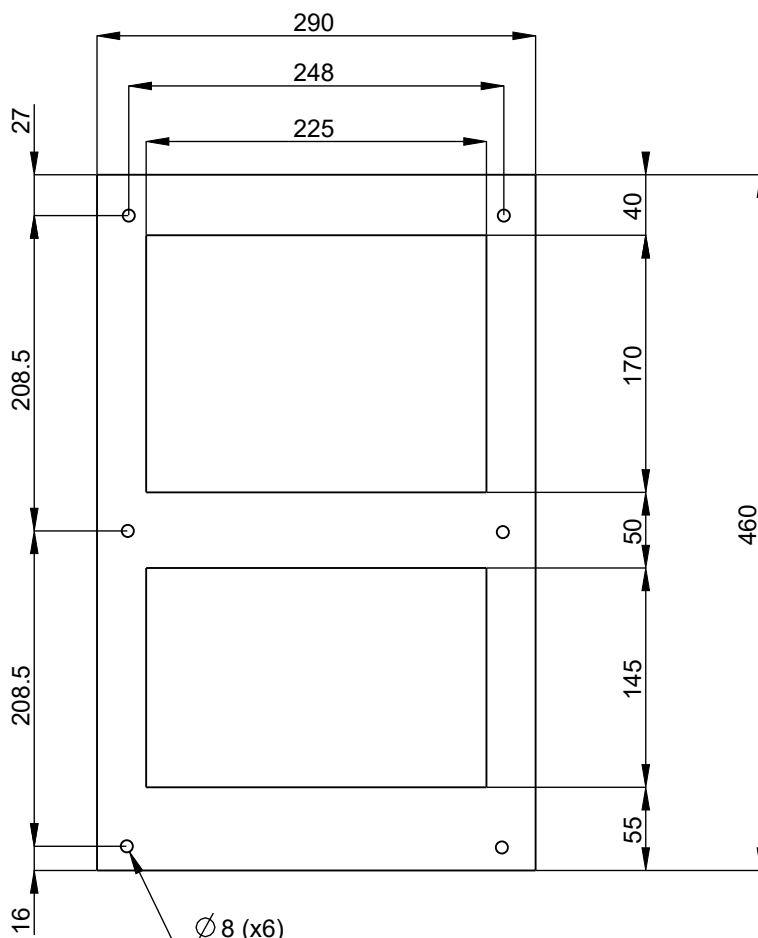
Sheet:

2/5

The information is highly confidential and is the exclusive property of Schneider Electric copyright reserved. This drawing must not be used for any purpose other than that expressly permitted in writing by the owners and must not be disclosed or reproduced in any way without permission from the owners in writing. This drawing must be returned to the owners when the purpose has ceased.

Released for Manufacturing
Printed on 2024/06/12

SURFACE MOUNTING CUT-OUT



Scale:
0.200

Technical Specification:

Units of measure:
mm



Document Description:

CONNECT COOLING UNIT SIDE 350W / 600W 230V

Document Number:

GEX8130602

Doc.Rev.:
00.13

Sheet:
3/5

1

2

3

4

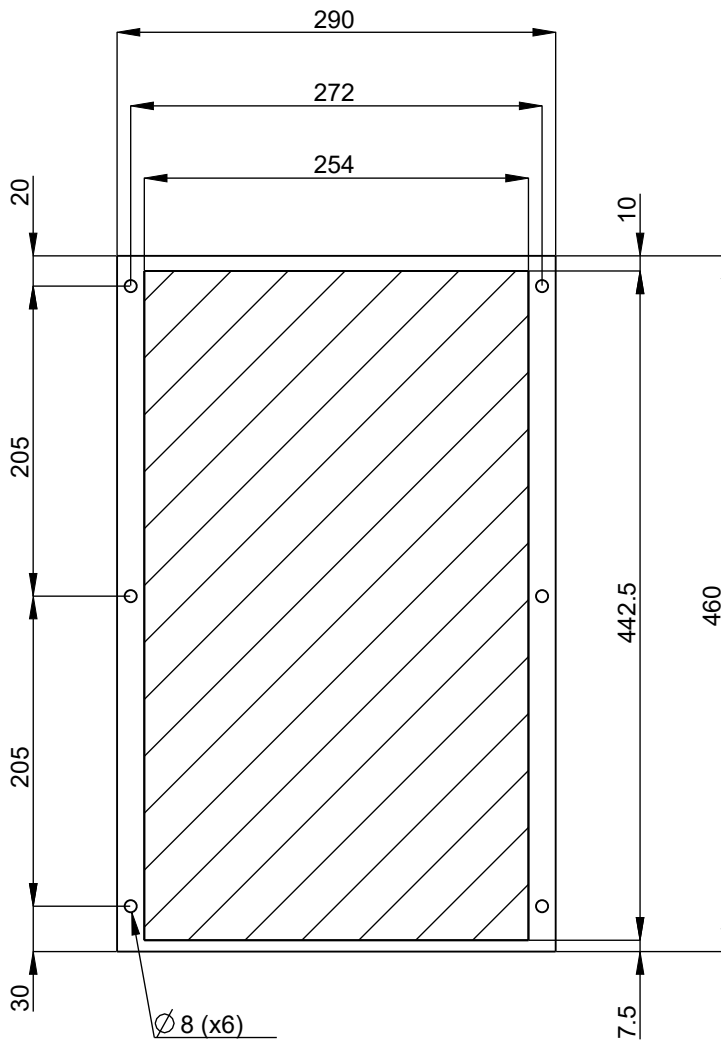
A

A

FLUSH MOUNTING CUT-OUT

B

B



C

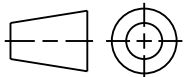
C

D

D

E

E



Scale:
0.200

Technical Specification:

Units of measure:
mm



Document Description:

CONNECT COOLING UNIT SIDE 350W / 600W 230V

Document Number:

GEX8130602

Doc.Rev.:
00.13

Sheet:
4/5

The information is highly confidential and is the exclusive property of Schneider Electric copyright reserved. This drawing must not be used for any purpose other than that expressly permitted in writing by the owners and must not be disclosed or reproduced in any way without permission from the owners in writing. This drawing must be returned to the owners when the purpose has ceased.

Released for Manufacturing
Printed on 2024/06/12

1

2

3

4

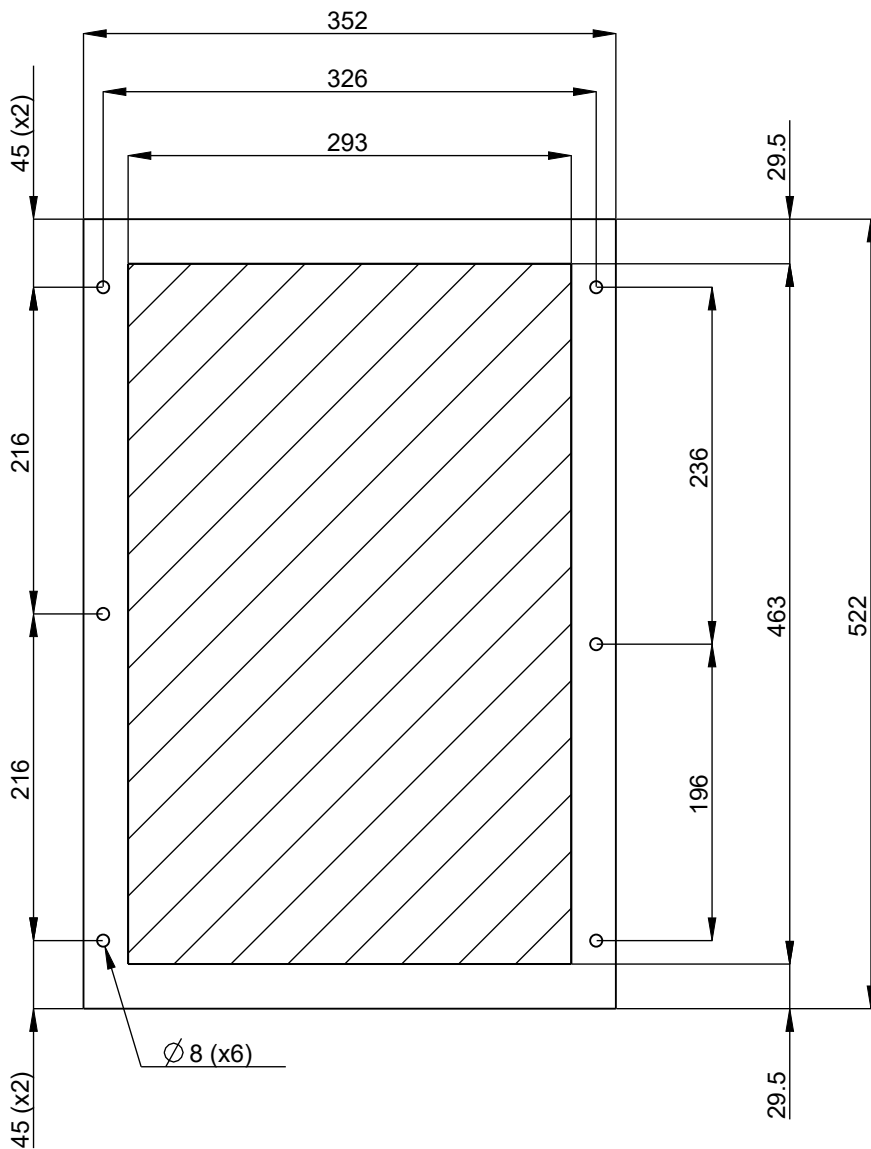
A

A

HALF-FLUSH MOUNTING CUT-OUT

B

B



C

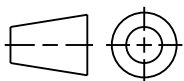
C

D

D

E

E



Scale:
0.200

Technical Specification:

Units of measure:
mm



Document Description:

CONNECT COOLING UNIT SIDE 350W / 600W 230V

Document Number:

GEX8130602

Doc.Rev.:
00.13

Sheet:
5/5

The information is highly confidential and is the exclusive property of Schneider Electric copyright reserved. This drawing must not be used for any purpose other than that expressly permitted in writing by the owners and must not be disclosed or reproduced in any way without permission from the owners in writing. This drawing must be returned to the owners when the purpose has ceased.

Released for Manufacturing
Printed on 2024/06/12