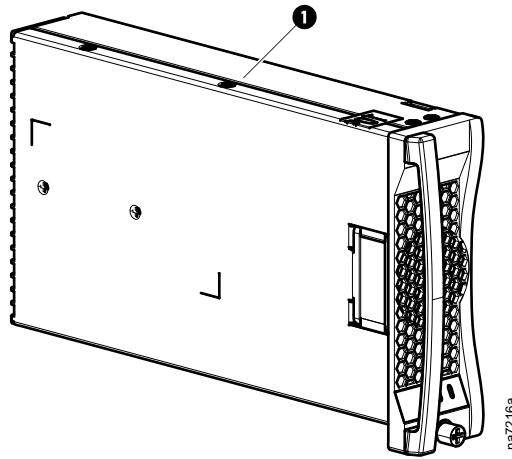




## Fan Power Supply Unit—ACAC10038

### Inventory



Item	Description	Quantity
1	Fan PSU	1

# Installation

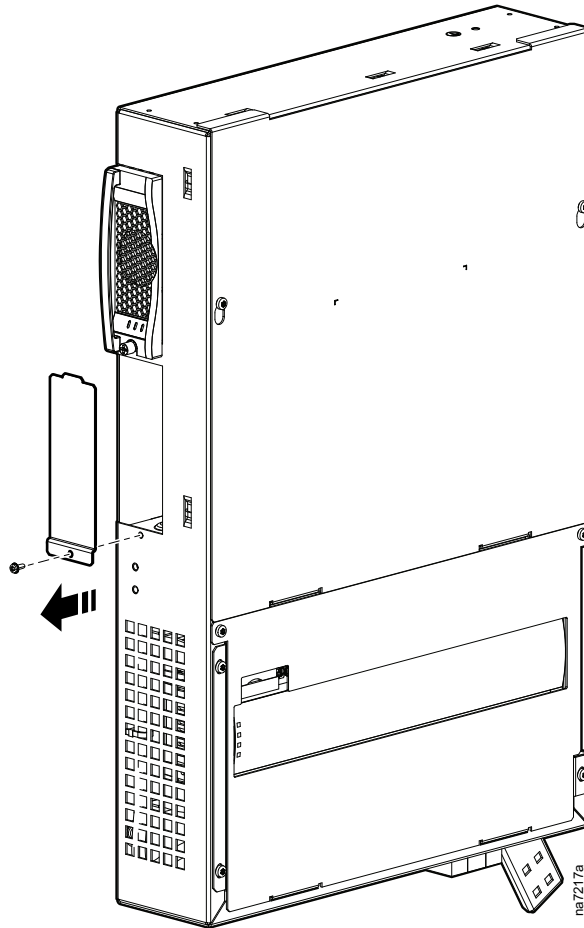
The InRow unit fan PSU is hot swappable: the unit can remain in operation during installation.

1. Remove the rear panel and top filter.

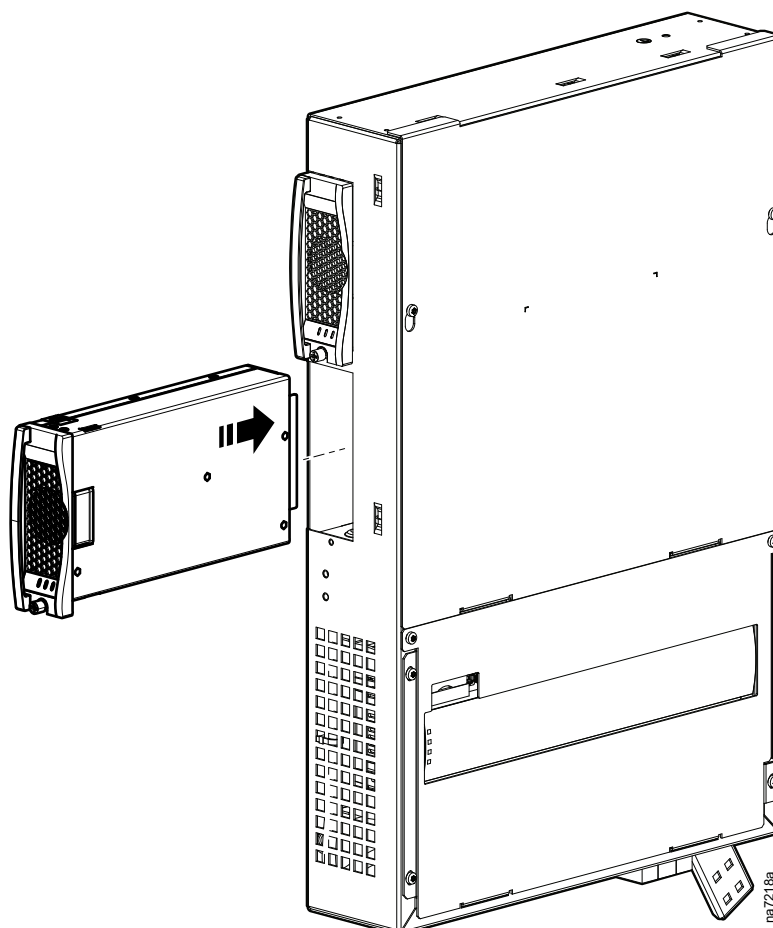


See the “Panel Removal” section of the *InRow DX ACRD300 and ACCU30000 Series Installation Manual*.

2. Remove the power supply cover.



3. Insert the fan PSU into the electrical box and tighten the fastener.



4. Replace the filter and rear door.
5. Update the unit configuration:
  - a. Go to **Main > Configuration > Unit > Components** on the display interface.
  - b. Change **Number of Evaporator Fan Power Supplies** to **2**.