

Product End of Life Instructions

Harmony XA2 Emergency Stop Pushbutton



 Potential disassembly risks

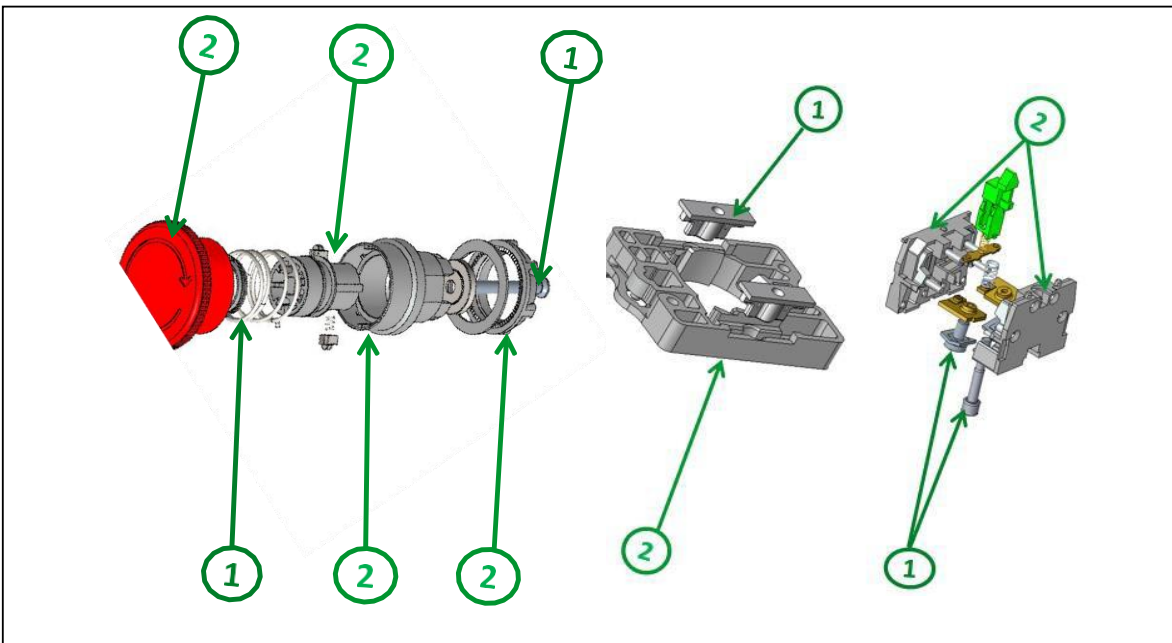
⚠ CAUTION

HAZARD OF PARTS WITH SHARP EDGES

Apply appropriate personal protective equipment (PPE) during disassembly.

Failure to follow these instructions can result in injury.

 End of Life Instructions



Recommendation	Number on drawing	Component / Material	Weight (in g)	Comment
To be dismantled	1	Spring, Screw, Plate,Support	21.53	Metal Parts
To be dismantled	2	Head, Base, Bezel, Contact Cover , Housing	35.1	Plastic Parts

Product description

Manufacturer identification	Schneider Electric Industries SAS
Brand name	Schneider Electric
Product function	An emergency stop button is a button that is only used when the functions of a machine must be immediately stopped. When anything about the machines functions or the operators surroundings poses a threat to production or safety then these buttons can be pressed.
Product reference	XA2ES542
Additional similar product references	XA2ES422 XA2ES442 XA2ES542 XA2ES642 ZA2BS14 ZA2BS44 ZA2BS834 ZA2BS844 ZA2BS934 ZA2BS944 ZA2BS021 ZA2BS12 ZA2BS1212 ZA2BS1220 ZA2BS1420 ZA2BS1429 ZA2BS1432 ZA2BS1435 ZA2BS22 ZA2BS24
Total representative product mass	58 g
Representative product dimensions	H 42 mm x L 74.2 mm x D30 mm
Accessories	No accessories needed
Date of information release	10/2023

Additional information

Legal information	This product family is in the scope of European Union directive 2012/19/EU on Waste Electrical and Electronic Equipment (WEEE). The product family must be disposed according to the legislation of the country. This document is intended for use by end of life recyclers or treatment facilities. It provides the basic information to assure an appropriate end of life treatment for the components and materials of the product.	
In case of special transportation: transportation method	No special transportation is needed	
Recyclability potential	37%	Recyclability rate has been calculated based on REEECY'LAB tool developed by Ecosystem, for components/materials not covered by the tool, data from the "ECO'DEEE recyclability and recoverability calculation method" was taken. If no data was found a conservative assumption was used (0% recyclability).

Schneider Electric Industries SAS
Country Customer Care Center
<http://www.schneider-electric.com/contact>
35, rue Joseph Monier
CS 30323
F- 92500 Rueil Malmaison Cedex
RCS Nanterre 954 503 439
Capital social 896 313 776 €

www.se.com

ENVEOLI2308018_V1

Published by Schneider Electric

© 2023 - Schneider Electric – All rights reserved

10/2023