

Product End-of-Life Instructions

Product Range: VEGA

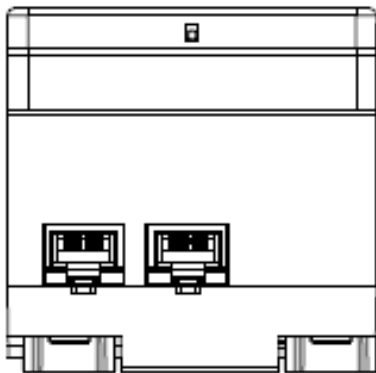
Marketing Model/Name: VEGA IFE MODULE PACKAGED ASSEMBLY, Ref: LV434011
and Ref: LV434010

Purpose:

The product family must be disposed according to the legislation of the country. This document is intended for use by end of life recyclers or treatment facilities. It provides the basic information to assure an appropriate end of life treatment for the components and materials of the product.

Note :

This product family is in the scope of EU directive 2002/96/EC, Waste Electrical and Electronic Equipment (WEEE).



Size in mm:

H x L x D in mm: 71.7 X 85.5 X 51 mm

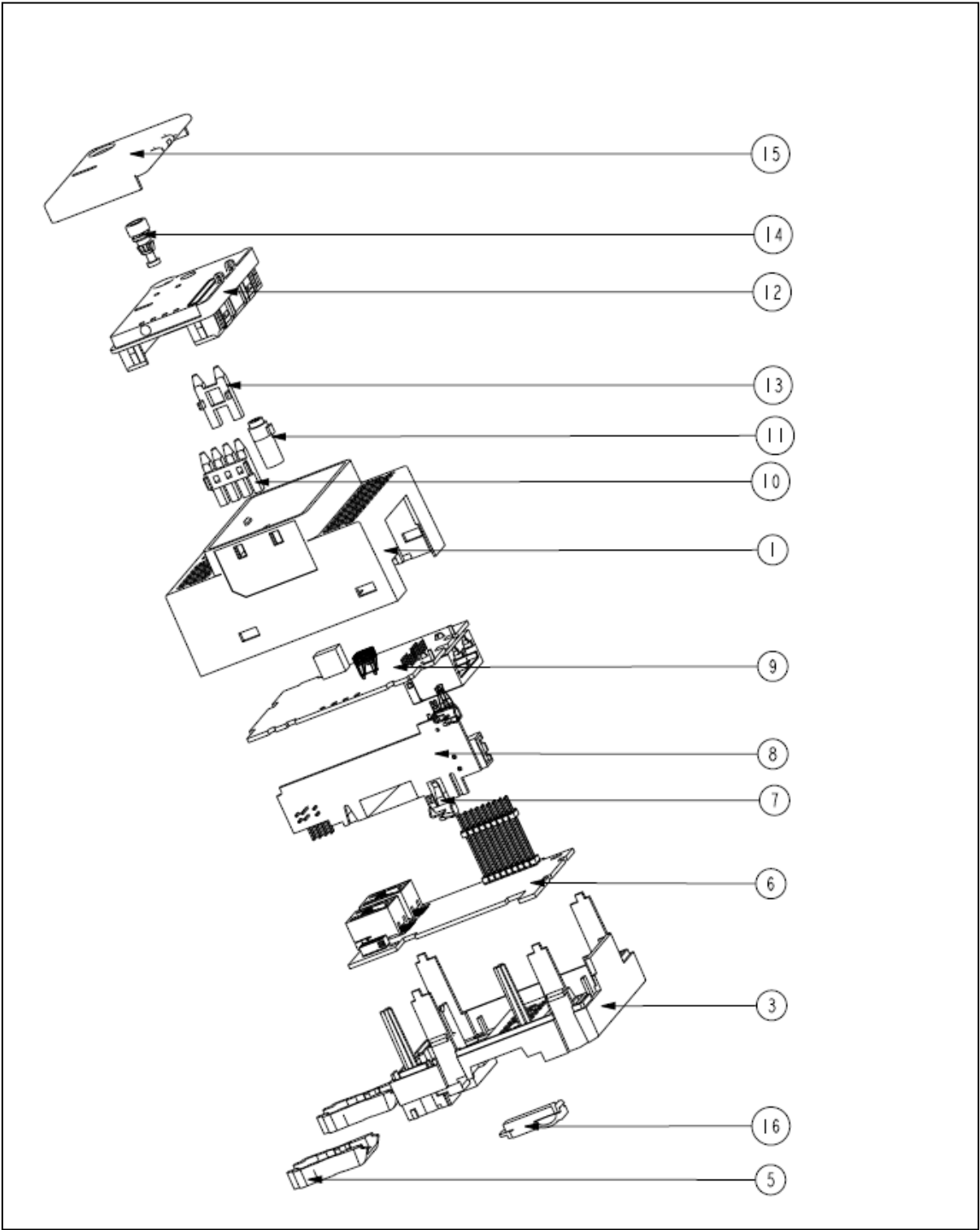
Weight in g: 221.8 g

Between 175 g and 222 g

Operations recommended for the end of life treatment

There are several steps to process the products at the end of life so as to recover components, materials or energy :
Reuse → Separation for special treatment → Other dismantling → Shredding.

The components of the products that optimize the recycling performances are listed, identified and located hereunder.



Number on drawing	Components	Comment	
Components listed for special treatment which improves the recycling performances			
9	Printed circuit boards	50.78	VEGA-COMMUNICATION MODULE - DIGITAL PCBA
6	Printed circuit boards	19.44	VEGA-COMMUNICATION MODULE - POWER PCBA
1	Printed circuit boards	8.3	VEGA-COMMUNICATION MODULE - DIN PCBA

Schneider Electric SA

43-45, boulevard Franklin Roosevelt
F-92500 Rueil-Malmaison Cedex (France)
Tel.: +33 (0) 1 41 29 70 00
www.schneider-electric.com

The version of the Guide used to create the document: End of Life
Instruction Drafting Guide of Schneider Electric version V2

ENVEOLI1311018_V1

Publication date : 21/11/2013