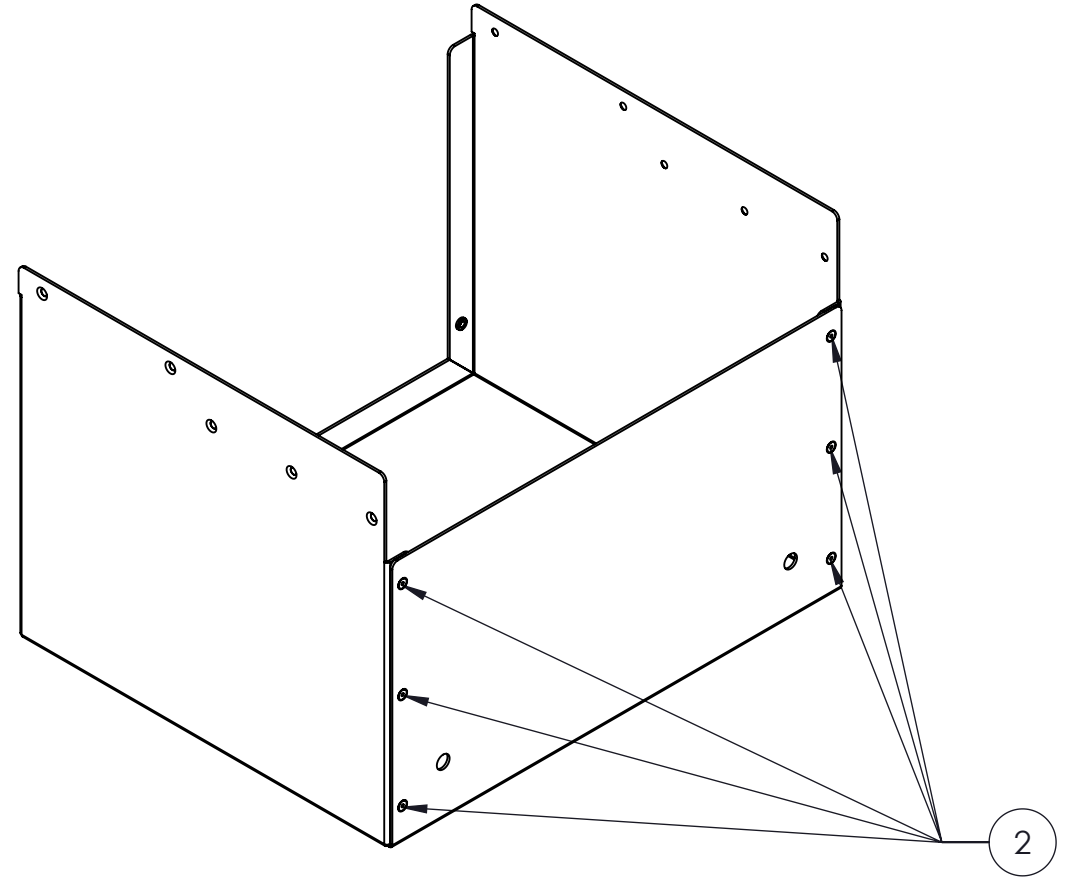
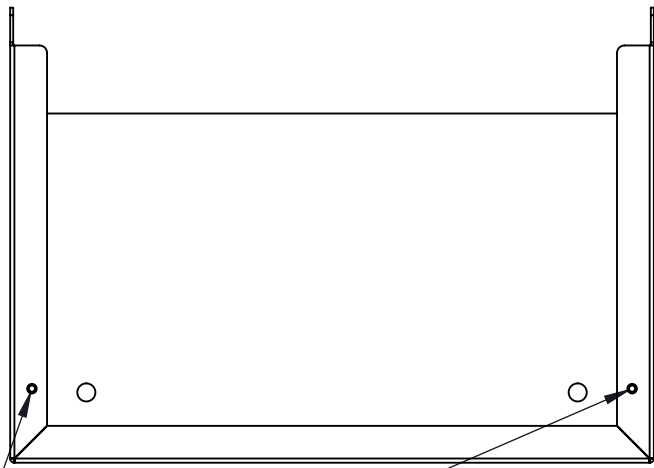


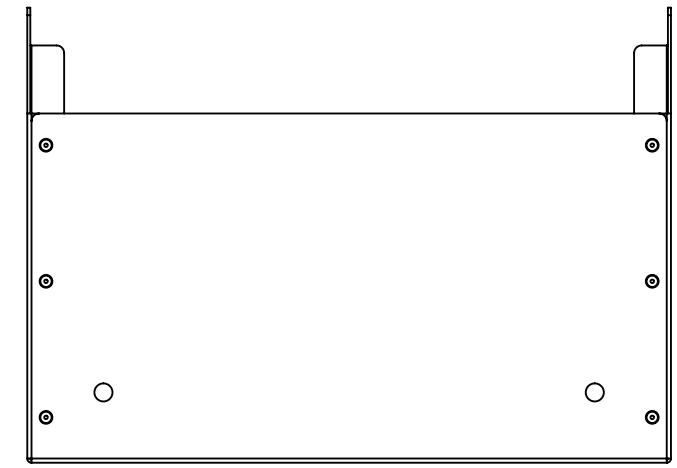
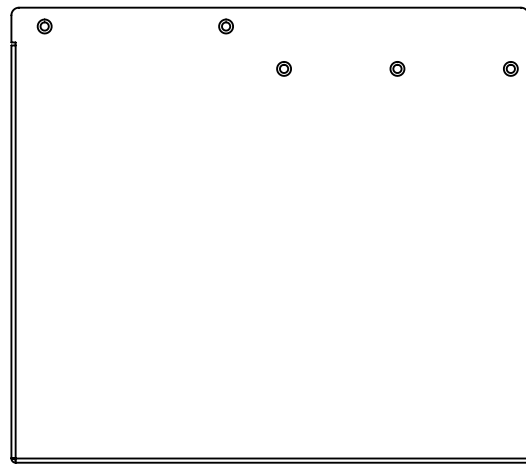
ITEM NO.	PART NUMBER	DESCRIPTION	Vendor	Default/ QTY.
1	60,120A TERMINAL BOX	120A TERMINAL KIT HOUSING	SEE SHEET 2	1
2	AK53H	#53 CLOSED END BLIND RIVET COUNTERSUNK HEAD STYLE	EMHART TEKNOLOGIES POP BRAND	6
3	PEM S-M5-2 ZI--N	SELF CLINCHING NUT M5x0.8 ZI	PENN ENGINEERING	2



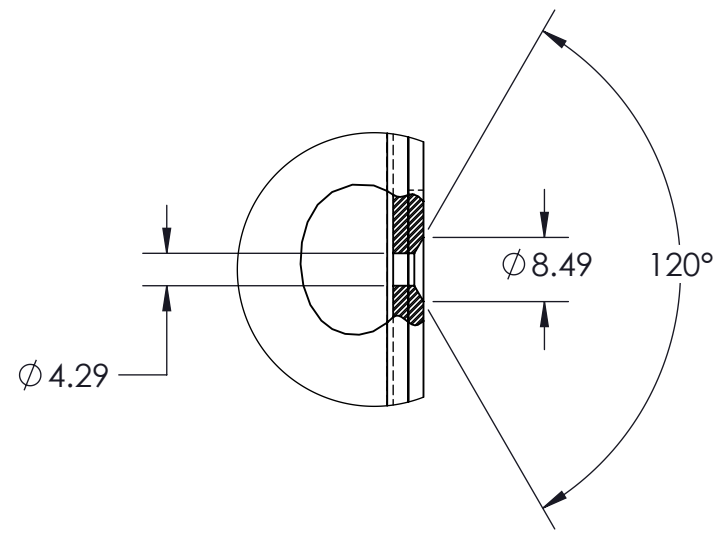
INSERT 6 #53 CLOSED  
END BLIND RIVETS



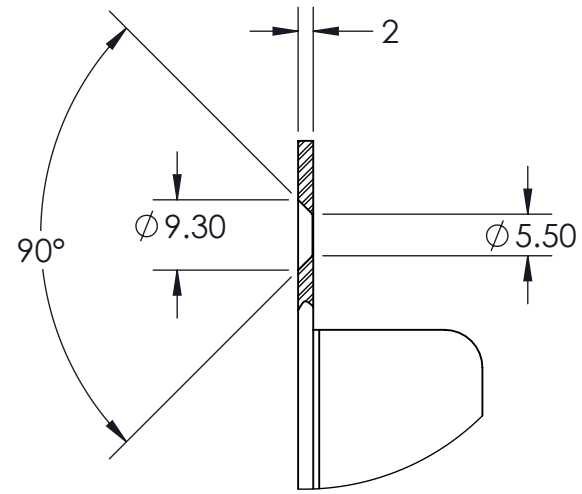
INSERT 2 PEM S-M5-2 FROM INSIDE



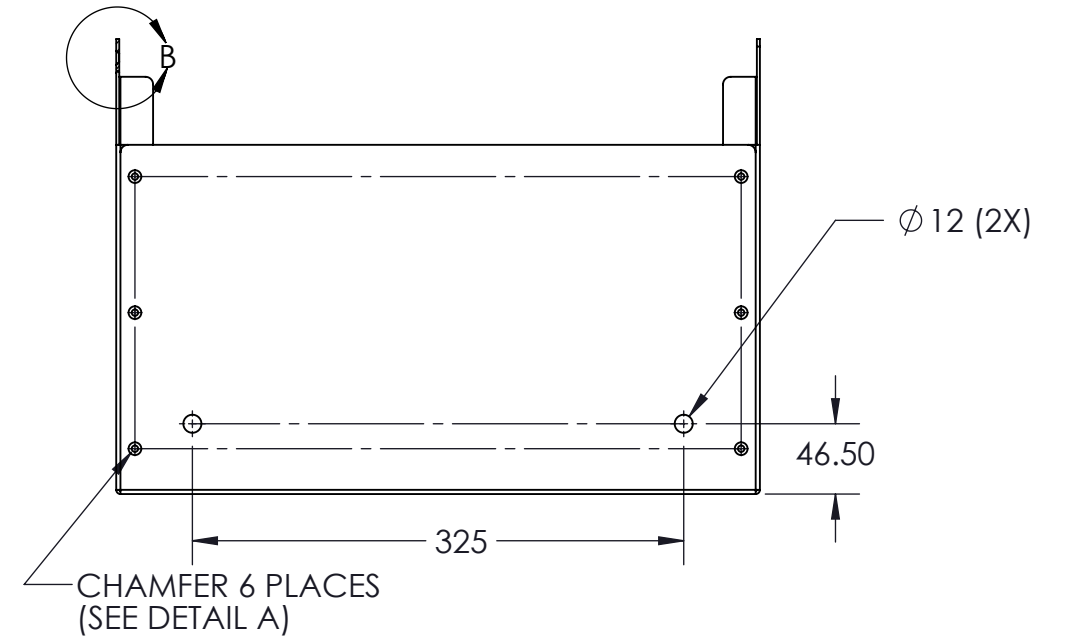
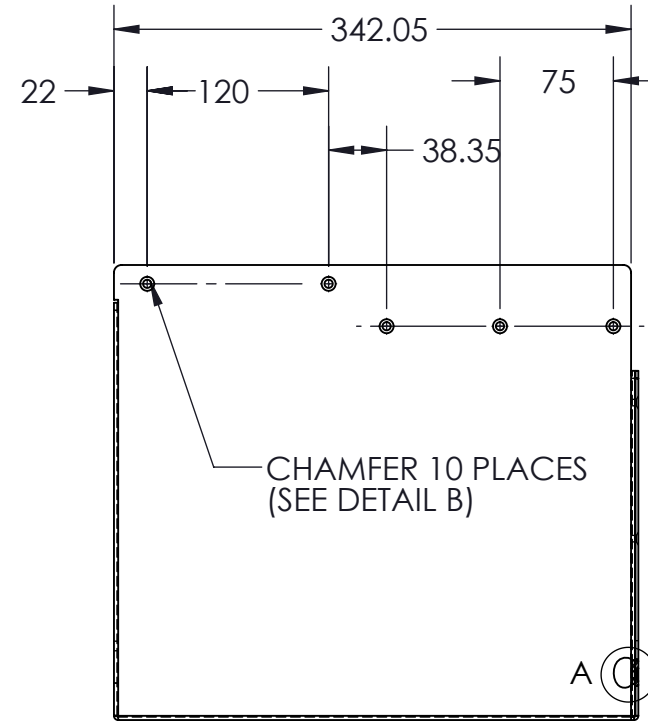
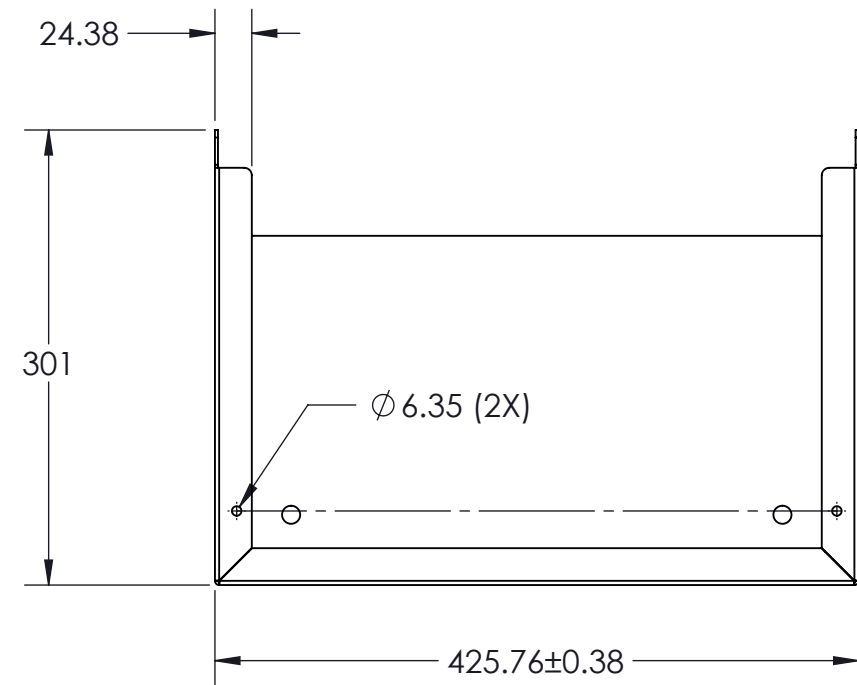
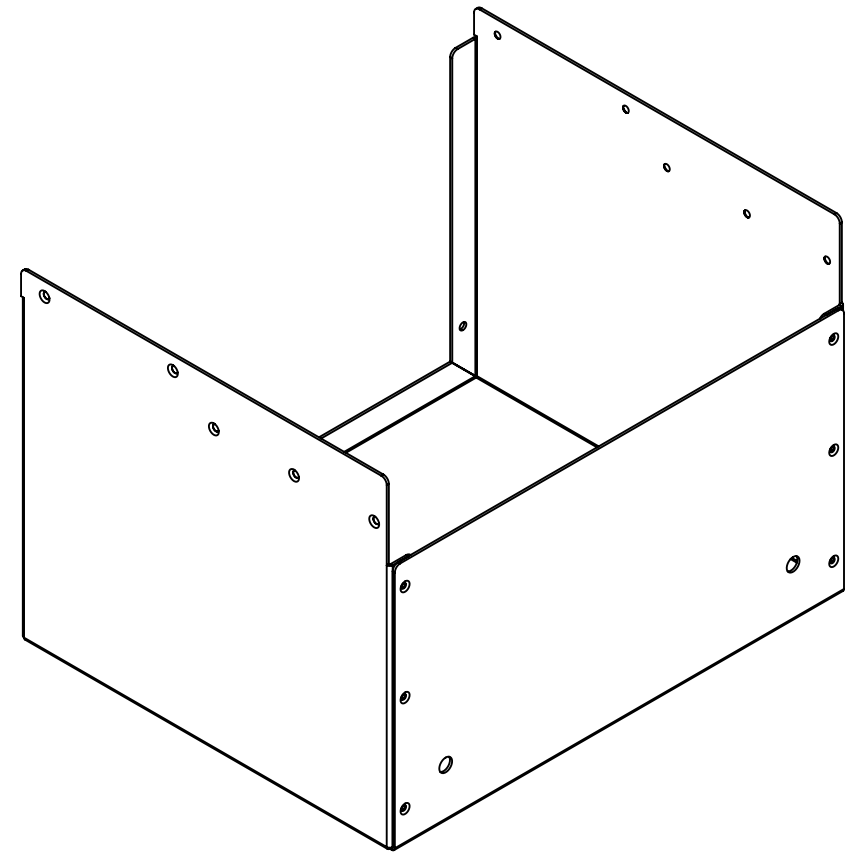
	Scale: N/A	Tolerancing Standard: NHA3078500 ISO8015	Units of Measure: mm
	<b>60A TERMINAL KIT HOUSING</b> 60A TERMINAL KIT HOUSING		
	Number: EAV13825	Revision: <b>06</b>	Sheet: 1 OF 2
All information and data contained in this document are the exclusive property of Schneider Electric Industries SAS and may neither be used nor disclosed without its prior written consent.		State:	Released for Manufacturing Printed on 2017/09/21



DETAIL A  
SCALE 1 : 1



DETAIL B  
SCALE 1 : 1



NOTES:

1. ALL MATERIALS TO BE ROHS COMPLIANT
2. BREAK AND DEBURR ALL SHARP EDGES
3. MATERIAL 14 GA GALVANIZED STEEL (2mm THICK)
4. .79 FOLD R

	Scale: N/A	Tolerancing Standard: NHA3078500 ISO8015	Units of Measure: mm
	<b>60A TERMINAL KIT HOUSING</b>		
	60A TERMINAL KIT HOUSING		
Number: EAV13825		Revision: <b>06</b>	Sheet: 2 OF 2

All information and data contained in this document are the exclusive property of Schneider Electric Industries SAS and may neither be used nor disclosed without its prior written consent.

State:

Released for Manufacturing  
Printed on 2017/09/21