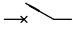
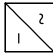
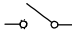
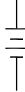

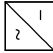
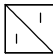


## UPS On-line

Sheet NO.	Component/Detail	Description
1	Drawing Guide	UPS-Online SRV10KI(-TW)
2	Isometric View	UPS-Online SRV10KI(-TW)
3	Main Mechanical	UPS-Online SRV10KI(-TW)
4	System One Line Diagram	UPS-Online SRV10KI(-TW)

LEGEND			
SYMBOL	DESCRIPTION	SYMBOL	DESCRIPTION
	INPUT BREAKER		CONVERTER
	RELAY		BATTERY
	TERMINAL		INVERTER
			PC TO DC CONVERTER

THIS DRAWING AND SPECIFICATIONS HEREIN ARE THE PROPERTY OF SCHNEIDER ELECTRIC AND SHALL NOT BE COPIED, REPRODUCED OR USED IN WHOLE OR IN PART, AS THE BASIS FOR THE MANUFACTURE OR SALE OF ITEMS WITHOUT WRITTEN PERMISSION FROM SCHNEIDER ELECTRIC. THIS DRAWING IS BASED UPON LATEST AVAILABLE INFORMATION AND IS SUBJECT TO CHANGE WITHOUT NOTICE.

**Schneider**  
**Electric**

TITLE:

SRV10KI(-TW)

DWG NO:

V20190131-001

REV.

DRAWN: **Younglee**

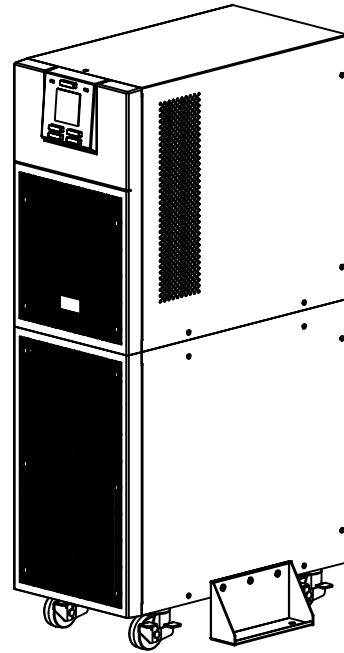
ENGINEER:

PROJECT:

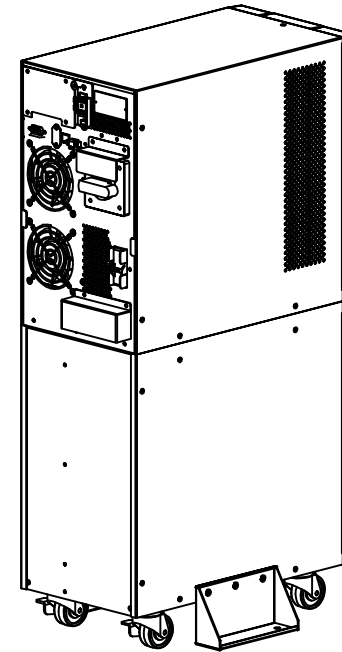
SHEET 1 OF 4

APPROVED:

FRONT  
ISOMETRIC VIEW



REAR  
ISOMETRIC VIEW

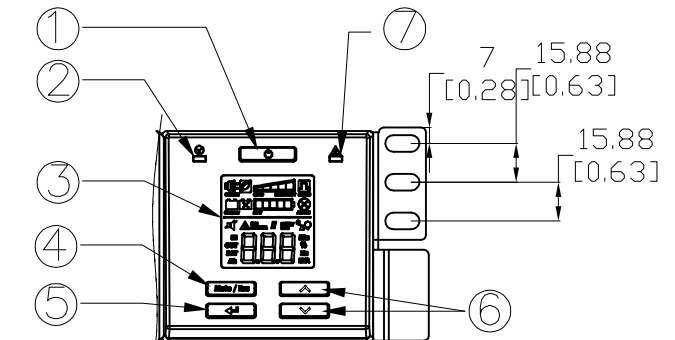
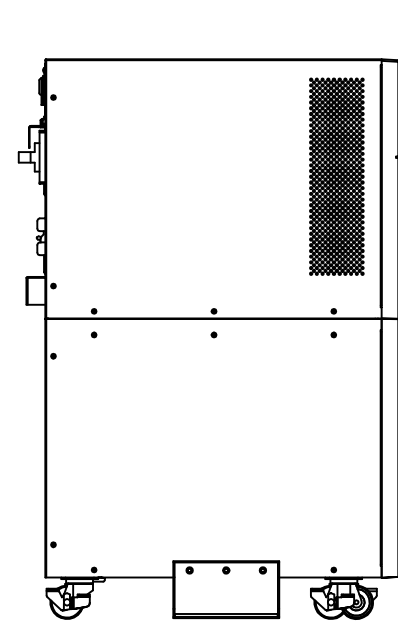
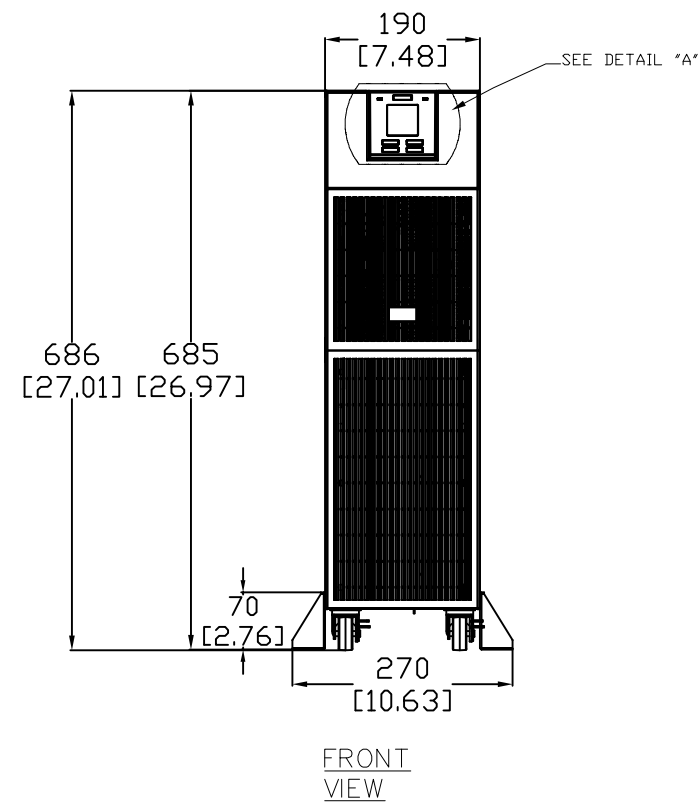


- NOTES:  
 1. INSTALLATION SHALL COMPLY WITH ALL APPLICABLE NATIONAL AND LOCAL ELECTRICAL REGULATIONS.  
 2. REFER TO PRODUCT DOCUMENTAION FOR ADDITIONAL DETAILS.

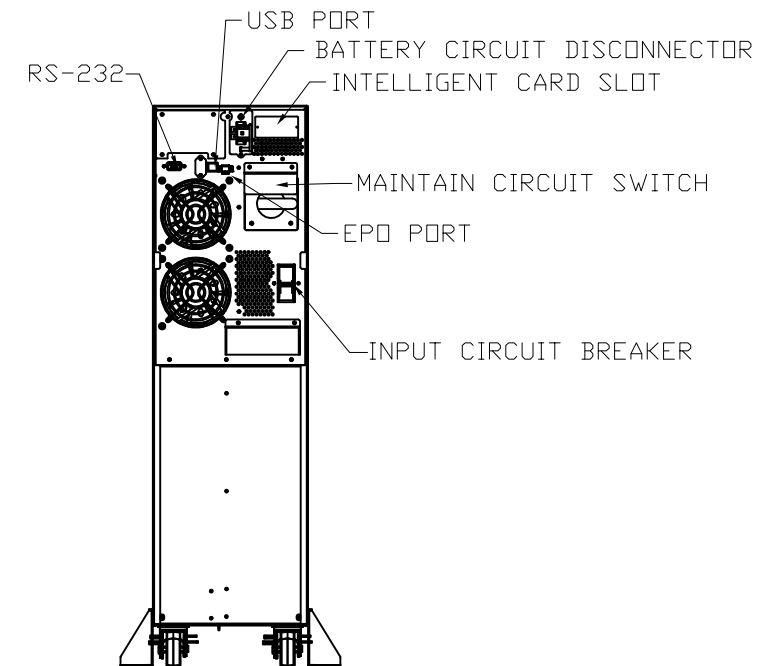
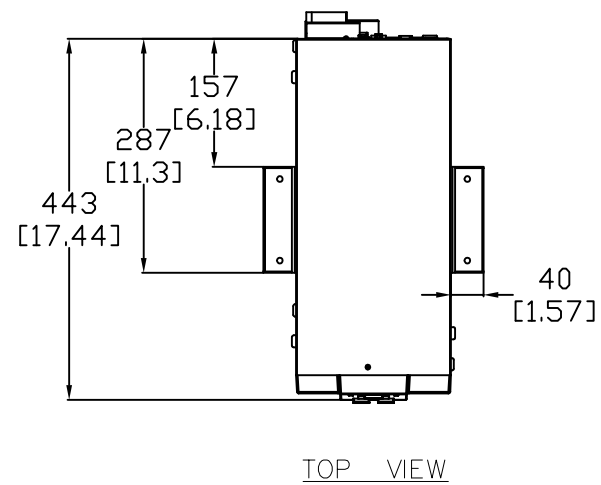
THIS DRAWING AND SPECIFICATIONS HEREIN ARE THE PROPERTY OF SCHNEIDER ELECTRIC AND SHALL NOT BE COPIED, REPRODUCED OR USED IN WHOLE OR IN PART, AS THE BASIS FOR THE MANUFACTURE OR SALE OF ITEMS WITHOUT WRITTEN PERMISSION FROM SCHNEIDER ELECTRIC. THIS DRAWING IS BASED UPON LATEST AVAILABLE INFORMATION AND IS SUBJECT TO CHANGE WITHOUT NOTICE.



TITLE:	SRV10KI(-TW)	DWG NO:	V20190131-001	REV.
PROJECT:	SHEET 2 OF 4	DRAWN:	Younglee	
		ENGINEER:		
		APPROVED:		



- DISPLAY INTERFACE:
- 1. UPS POWER ON/OFF BUTTON
  - 2. STATUS LED
  - 3. LCD DISPLAY
  - 4. MUTE/ESC BUTTON
  - 5. ENTER BUTTON
  - 6. UP/DOWN BUTTON
  - 7. ALARM LED

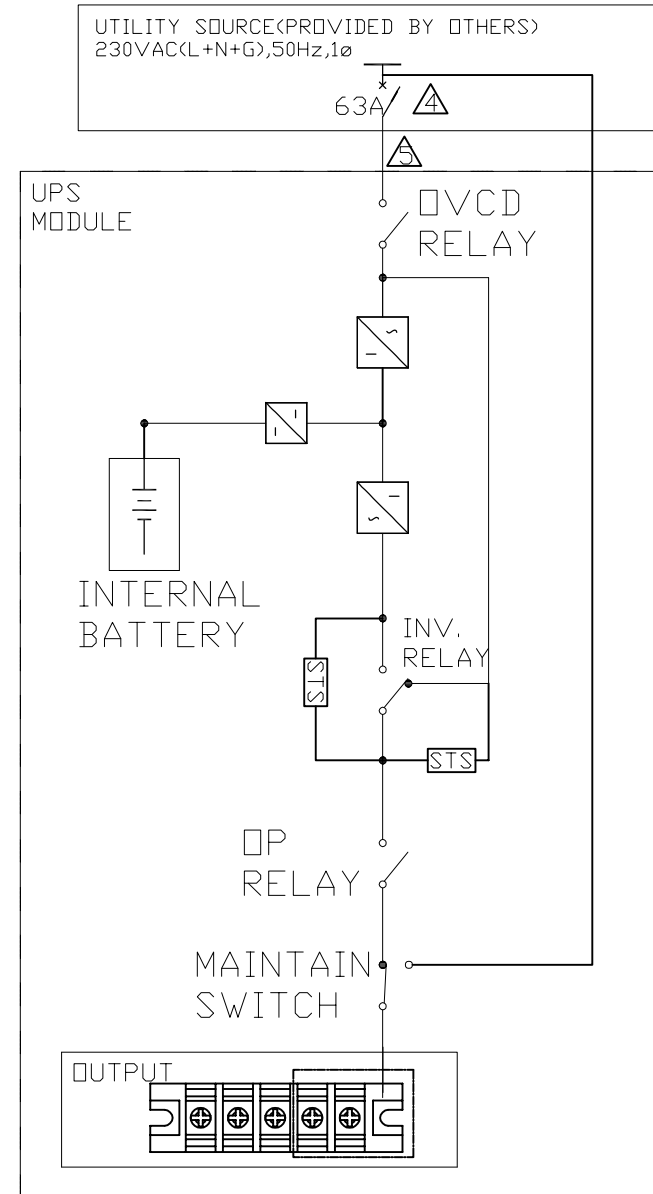


- NOTES:
1. INSTALLATION SHALL COMPLY WITH ALL APPLICABLE NATIONAL AND LOCAL ELECTRICAL REGULATIONS.
  2. REFER TO PRODUCT DOCUMENTAION FOR ADDITIONAL DETAILS.
  3. WEIGHT OF UNIT IS 65KG[143.3LBS].

THIS DRAWING AND SPECIFICATIONS HEREIN ARE THE PROPERTY OF SCHNEIDER ELECTRIC AND SHALL NOT BE COPIED, REPRODUCED OR USED IN WHOLE OR IN PART, AS THE BASIS FOR THE MANUFACTURE OR SALE OF ITEMS WITHOUT WRITTEN PERMISSION FROM SCHNEIDER ELECTRIC. THIS DRAWING IS BASED UPON LATEST AVAILABLE INFORMATION AND IS SUBJECT TO CHANGE WITHOUT NOTICE.



TITLE: SRV10KI(-TW)		DWG NO: V20190131-001	REV.
PROJECT:		DRAWN: Younglee	
SHEET 3 OF 4		ENGINEER:	
		APPROVED:	



**NOTES:**

1. INSTALLATION SHALL COMPLY WITH ALL APPLICABLE NATIONAL AND LOCAL ELECTRICAL REGULATIONS.
2. REFER TO PRODUCT DOCUMENTATION FOR ADDITIONAL DETAILS.
3. DRAWING DEPICTS POWER SYSTEM CONNECTIONS AND IS NOT REPRESENTATIVE OF PHYSICAL LAYOUT, PLEASE REFER TO MECHANICAL DRAWINGS FOR MORE SPECIFIC PHYSICAL DATA
- Δ4. UTILITY SOURCE MUST BE NOMINAL 230VAC (L+N+G), 50Hz, 1Φ, PROVIDED BY OTHERS.
- Δ5. INPUT LINE BETWEEN UTILITY SOURCE AND THE UNIT REPRESENTS C19/C20 IEC INPUT POWERCORD SET PROVIDE WITH THE UNIT.

THIS DRAWING AND SPECIFICATIONS HEREIN ARE THE PROPERTY OF SCHNEIDER ELECTRIC AND SHALL NOT BE COPIED, REPRODUCED OR USED IN WHOLE OR IN PART, AS THE BASIS FOR THE MANUFACTURE OR SALE OF ITEMS WITHOUT WRITTEN PERMISSION FROM SCHNEIDER ELECTRIC. THIS DRAWING IS BASED UPON LATEST AVAILABLE INFORMATION AND IS SUBJECT TO CHANGE WITHOUT NOTICE.



TITLE:	SRV10KI(-TW)	DWG NO:	V20190131-001	REV.
PROJECT:	SHEET 4 OF 4	ENGINEER:	Younglee	
		APPROVED:		