

Product data sheet

Characteristics

BCH2MM0313CA6C

servo motor BCH, Lexium 28, 130mm, 300W, 6.63kg.cm², with oil seal, with key, straight connection



Product availability: Non-Stock - Not normally stocked in distribution facility

Price*: 1440.57 USD



Main

Range Compatibility	Lexium 28
Device short name	BCH2
Product or Component Type	Servo motor

Complementary

Maximum mechanical speed	3000 Rpm
[Us] rated supply voltage	220 V 110 V
Phase	Single phase Three phase
Continuous stall current	1.88 A
Continuous stall torque	25.31 Lbf.In (2.86 N.m) LXM26D 2.6 A, 220 V, single phase 25.31 Lbf.In (2.86 N.m) LXM26D 2.6 A, 220 V, three phase 25.31 Lbf.In (2.86 N.m) LXM28... 2.6 A, 220 V, single phase 25.31 Lbf.In (2.86 N.m) LXM28... 2.6 A, 220 V, three phase 25.31 Lbf.In (2.86 N.m) LXM28... 5.7 A, 110 V, single phase
Continuous power	300 W
Peak stall torque	76.03 Lbf.In (8.59 N.m) LXM26D 2.6 A, 220 V, single phase 76.03 Lbf.In (8.59 N.m) LXM26D 2.6 A, 220 V, three phase 76.03 Lbf.In (8.59 N.m) LXM28... 2.6 A, 220 V, single phase 76.03 Lbf.In (8.59 N.m) LXM28... 2.6 A, 220 V, three phase 76.03 Lbf.In (8.59 N.m) LXM28... 5.7 A, 110 V, single phase
Nominal output power	300 W LXM26D 2.6 A, 220 V, single phase 300 W LXM26D 2.6 A, 220 V, three phase 300 W LXM28... 2.6 A, 220 V, single phase 300 W LXM28... 2.6 A, 220 V, three phase 300 W LXM28... 5.7 A, 110 V, single phase
Nominal torque	25.31 Lbf.In (2.86 N.m) LXM26D 2.6 A, 220 V, single phase 25.31 Lbf.In (2.86 N.m) LXM26D 2.6 A, 220 V, three phase 25.31 Lbf.In (2.86 N.m) LXM28... 2.6 A, 220 V, single phase 25.31 Lbf.In (2.86 N.m) LXM28... 2.6 A, 220 V, three phase 25.31 Lbf.In (2.86 N.m) LXM28... 5.7 A, 110 V, single phase

Nominal speed	1000 rpm LXM26D 2.6 A, 220 V, single phase 1000 rpm LXM26D 2.6 A, 220 V, three phase 1000 rpm LXM28... 2.6 A, 220 V, single phase 1000 rpm LXM28... 2.6 A, 220 V, three phase 1000 rpm LXM28... 5.7 A, 110 V, single phase
Maximum current Irms	5.98 A LXM28... 0.3 kW, 220 V 5.98 A LXM28... 0.3 kW, 110 V
Maximum permanent current	2.09 A
Product compatibility	LXM26D servo drive 0.3 kW, 220 V, single phase LXM26D servo drive 0.3 kW, 220 V, three phase LXM28... servo drive 0.3 kW, 220 V, single phase LXM28... servo drive 0.3 kW, 220 V, three phase LXM28... servo drive 0.3 kW, 110 V, single phase
Shaft end	Keyed
Shaft diameter	0.87 In (22 mm)
Shaft length	1.77 In (45 mm)
Key width	0.31 In (8 mm)
Feedback type	20 bits single turn absolute encoder
Holding brake	Without
Mounting Support	Asian standard flange
Motor flange size	5.12 In (130 mm)
Electrical connection	Connector MIL
Torque constant	1.52 N.M/A 68 °F (20 °C)
Back emf constant	92 V/Krpm 68 °F (20 °C)
Rotor inertia	6.63 Kg.Cm ²
Stator resistance	1.93 Ohm 68 °F (20 °C)
Stator inductance	24.9 MH 68 °F (20 °C)
Stator electrical time constant	12.9 Ms 68 °F (20 °C)
Maximum radial force Fr	670 N 1000 rpm
Maximum axial force Fa	200 N
Brake pull-in power	19.7 W
Type of cooling	Natural convection
Length	5.79 In (147 mm)
Number of motor stacks	1
Centring collar diameter	4.33 In (110 mm)
Centring collar depth	0.31 In (8 mm)
Number of mounting holes	4
Mounting holes diameter	0.36 In (9.2 mm)
Circle diameter of the mounting holes	5.71 In (145 mm)
Distance shaft shoulder-flange	0.31 In (8 mm)
Net Weight	15.43 Lb(US) (7 kg)

Environment

IP Degree of Protection	IP50 IM V3 IP65 IM B5, IM V1
Ambient Air Temperature for Operation	-4...104 °F (-20...40 °C)

Ordering and shipping details

Category	US1000I22000
Discount Schedule	000I
GTIN	3606480734502
Returnability	No
Country of origin	CN

Packing Units

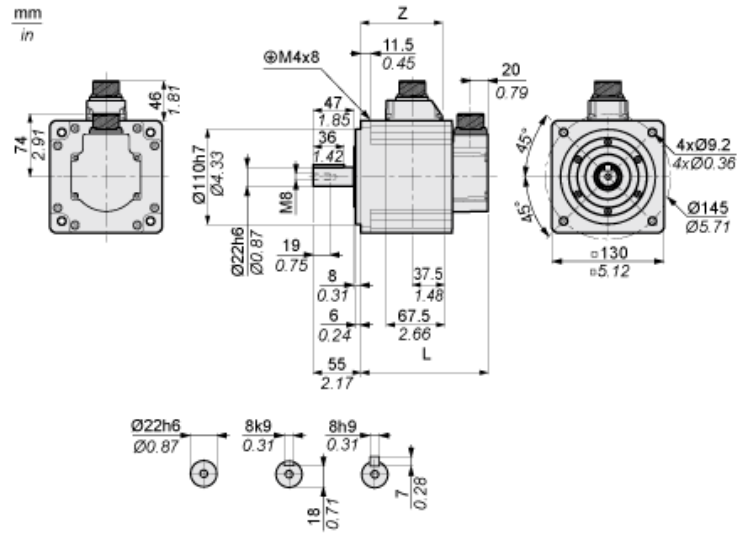
Unit Type of Package 1	PCE
Number of Units in Package 1	1
Package 1 Height	7.13 In (18.1 cm)
Package 1 Width	9.06 In (23 cm)
Package 1 Length	14.17 In (36 cm)
Package 1 Weight	279.01 Oz (7910 g)

Offer Sustainability

Sustainable offer status	Green Premium product
California proposition 65	WARNING: This product can expose you to chemicals including: Lead and lead compounds, which is known to the State of California to cause cancer and birth defects or other reproductive harm. For more information go to www.P65Warnings.ca.gov
REACH Regulation	REACH Declaration
REACH free of SVHC	Yes
EU RoHS Directive	Pro-active compliance (Product out of EU RoHS legal scope)
Mercury free	Yes
China RoHS Regulation	China RoHS Declaration
RoHS exemption information	Yes
Environmental Disclosure	Product Environmental Profile
Circularity Profile	End Of Life Information
WEEE	The product must be disposed on European Union markets following specific waste collection and never end up in rubbish bins.
PVC free	Yes

Dimensions

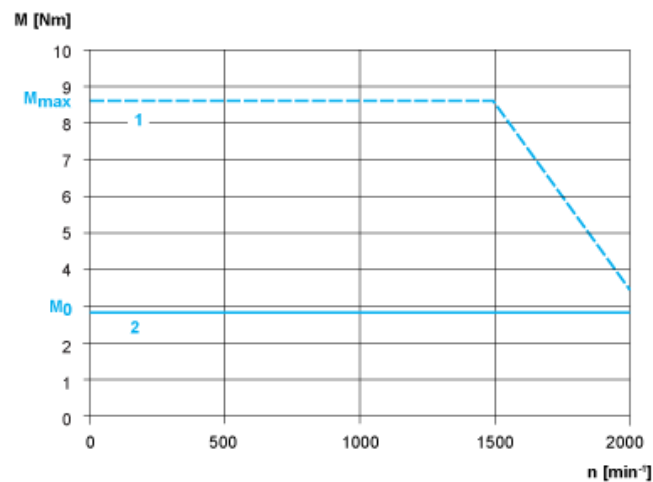
Dimensions of Motor



	mm	in.
L (without holding brake)	147	5.79
L (with holding brake)	183	7.2
Z	94.5	3.72

Torque/Speed Curves with 230 V Single/Three Phase Supply Voltage

Servo Motor with LXM28AU04 Servo Drive



- 1 : Peak torque
- 2 : Continuous torque

Product Life Status : Commercialised