

Product data sheet

Characteristics

ATS48C17Y

soft starter for asynchronous motor, Altistart 48,
156A, 208..690V, 37..160kW

Product availability: Non-Stock - Not normally stocked in distribution facility



Commercial status

This Product is Obsolete : MAY 02, 2023

 This Product is Obsolete

Main

| | |
|------------------------------|--|
| Range of Product | Altistart 48 |
| Product or Component Type | Soft starter |
| Product destination | Asynchronous motors |
| Product Specific Application | Heavy duty industry and pumps |
| Device short name | ATS48 |
| Utilisation category | AC-53A |
| [Us] rated supply voltage | 208...690 V - 15...10 % |
| Supply frequency | 50...60 Hz - 5...5 % |
| Motor power kW | 110 KW 500 V for standard applications 110 KW 525 V for standard applications 110 KW 660 V for severe applications 110 KW 690 V for severe applications 132 KW 660 V for standard applications 160 KW 690 V for standard applications 37 KW 230 V for severe applications 45 KW 230 V for standard applications 75 KW 400 V for severe applications 75 KW 440 V for severe applications 90 KW 400 V for standard applications 90 KW 440 V for standard applications 90 KW 500 V for severe applications 90 KW 525 V for severe applications |
| Maximum Horse Power Rating | 100 Hp 460 V for severe applications 125 Hp 460 V for standard applications 125 Hp 575 V for severe applications 150 Hp 575 V for standard applications 40 Hp 208 V for severe applications 50 Hp 208 V for standard applications 50 Hp 230 V for severe applications 60 Hp 230 V for standard applications |

The information provided in this documentation contains general descriptions and/or technical characteristics of the performance of the products contained herein. This documentation is not intended as a substitute for and is not to be used for determining suitability or reliability of these products for specific user applications. It is the duty of any such user or integrator to perform the appropriate and complete risk analysis, evaluation and testing of the products with respect to the relevant specific application or use thereof. Neither Schneider Electric Industries SAS nor any of its affiliates or subsidiaries shall be responsible or liable for misuse of the information contained herein.

Complementary

| | |
|-----------------------------|--|
| Device connection | In the motor supply line |
| Protection type | Phase failure line Thermal protection motor Thermal protection starter |
| Standards | EN/IEC 60947-4-2 |
| Product Certifications | GOST[RETURN]CCC[RETURN]C-tick[RETURN]TCF[RETURN]SEPRO[RE- TURN]NOM 117[RETURN]UL[RETURN]CSA[RETURN]DNV |
| Marking | CE |
| Discrete input number | 5 |
| Discrete input type | PTC, 750 Ohm 77 °F (25 °C) Stop, Run, LI3, LI4) logic, <= 8 mA 4300 Ohm |
| Discrete input logic | Positive logic Stop, Run, LI3, LI4 < 5 V <= 2 mA > 11 V, >= 5 mA |
| Minimum switching current | 10 MA 6 V DC relay outputs |
| Discrete output number | 2 |
| Discrete output type | LO1) logic output 0 V common configurable LO2) logic output 0 V common configurable R1) relay outputs fault relay NO R2) relay outputs end of starting relay NO R3) relay outputs motor powered NO |
| Analogue output type | Current output AO 0-20 mA or 4-20 mA 500 Ohm |
| Communication Port Protocol | Modbus |
| Connector Type | 1 RJ45 |
| Communication data link | Serial |
| Physical interface | RS485 multidrop |
| Transmission Rate | 4800, 9600 or 19200 bps |
| Function Available | External bypass (optional) |
| Operating position | Vertical +/- 10 degree |
| Height | 13.39 In (340 mm) |
| Width | 7.87 In (200 mm) |
| Depth | 10.43 In (265 mm) |
| Net Weight | 27.34 Lb(US) (12.4 kg) |

Environment

| | |
|---------------------------------------|--|
| Electromagnetic compatibility | Conducted and radiated emissions level A IEC 60947-4-2 Conducted and radiated emissions level B IEC 60947-4-2 Damped oscillating waves level 3 IEC 61000-4-12 Electrostatic discharge level 3 IEC 61000-4-2 Immunity to electrical transients level 4 IEC 61000-4-4 Immunity to radiated radio-electrical interference level 3 IEC 61000-4-3 Voltage/Current impulse level 3 IEC 61000-4-5 |
| Relative humidity | 0...95 % without condensation or dripping water EN/IEC 60068-2-3 |
| Ambient air temperature for operation | 104...140 °F (40...60 °C) with current derating of 2 % per °C) 14...104 °F (-10...40 °C) without derating) |
| Ambient Air Temperature for Storage | -13...158 °F (-25...70 °C) |
| Operating altitude | <= 3280.84 ft (1000 m) without derating > 3280.84...6561.68 ft (> 1000...2000 m) with current derating of 2.2 % per additional 100 m |

Ordering and shipping details

| | |
|-------------------|---------------|
| Category | US1CP1G22579 |
| Discount Schedule | CP1G |
| GTIN | 3389110982381 |
| Returnability | No |
| Country of origin | US |

Packing Units

| | |
|------------------------------|--------------------------|
| Unit Type of Package 1 | PCE |
| Number of Units in Package 1 | 1 |
| Package 1 Height | 13.39 In (34.0 cm) |
| Package 1 Width | 16.93 In (43.0 cm) |
| Package 1 Length | 18.11 In (46.0 cm) |
| Package 1 Weight | 32.90 Lb(US) (14.922 kg) |
| Unit Type of Package 2 | P06 |
| Number of Units in Package 2 | 2 |
| Package 2 Height | 28.94 In (73.5 cm) |
| Package 2 Width | 31.50 In (80.0 cm) |
| Package 2 Length | 23.62 In (60.0 cm) |
| Package 2 Weight | 90.39 Lb(US) (41.0 kg) |

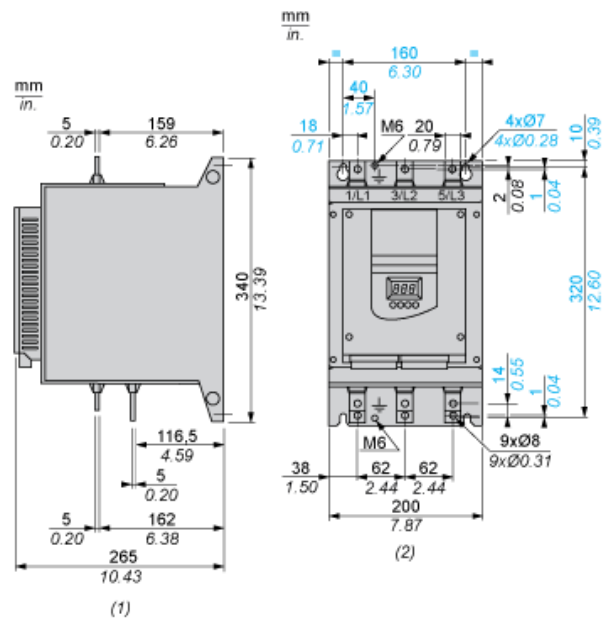
Offer Sustainability

| | |
|----------------------------|---|
| California proposition 65 | WARNING: This product can expose you to chemicals including: Lead and lead compounds, which is known to the State of California to cause cancer and birth defects or other reproductive harm. For more information go to www.P65Warnings.ca.gov |
| REACH Regulation | REACH Declaration |
| EU RoHS Directive | Pro-active compliance (Product out of EU RoHS legal scope) |
| Mercury free | Yes |
| China RoHS Regulation | China RoHS Declaration |
| RoHS exemption information | Yes |
| WEEE | The product must be disposed on European Union markets following specific waste collection and never end up in rubbish bins. |

Contractual warranty

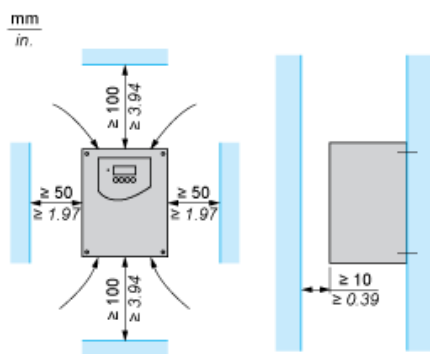
| | |
|----------|-----------|
| Warranty | 18 months |
|----------|-----------|

Dimensions



- (1) Right View
- (2) Front View

Clearance



Product Life Status : **Post commercialisation**

ATS48C17Y may be replaced by any of the following products:



ATS480C17Y

Soft starter, Altistart 480, 170A, 208 to 690V AC, control supply 110 to 230V AC

Qty 1

Substitution date: |