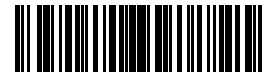


# Quick start guide - Altistart 22 ANNEX for UL 508 market



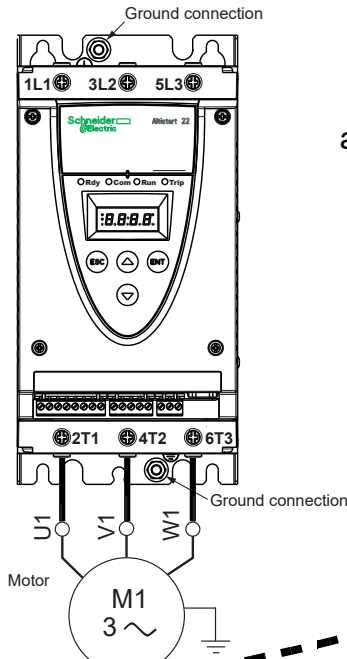
S1A1473807

For UL508 compliance for products ATS22C11● to ATS22C59●, order a lug kit option. Refer to the catalog for references and instruction sheet **S1A88413** for the mounting, on [www.se.com](http://www.se.com).

Please find the dedicated schematics for North American Market.

## 5 Connect the soft starter

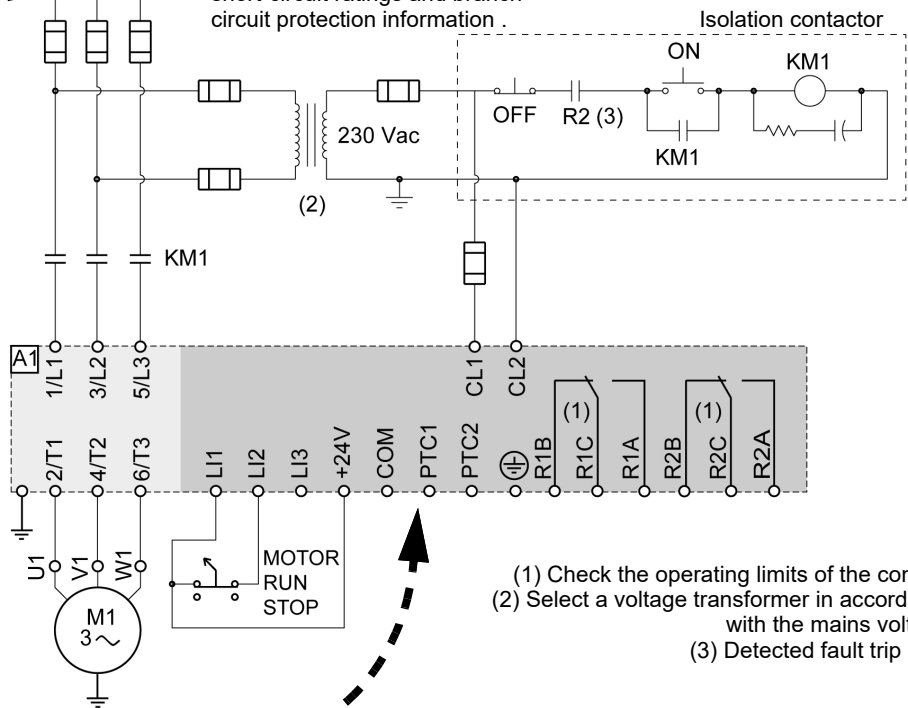
### For ATS22●●●Q or ATS22●●●S6 2-wire control, freewheel stop



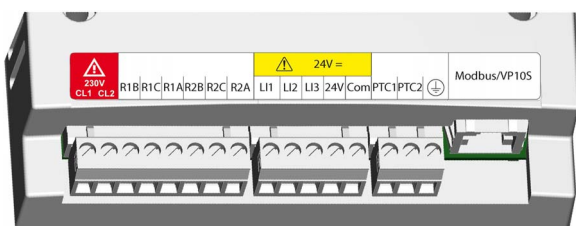
#### a) Connect Power:

- Wire the soft starter to the ground.
- Wire the soft starter to the line supply: 1/L1 – 3/L2 – 5/L3.
- Check that the motor voltage is compatible with the soft starter voltage.
- Wire the soft starter to the motor.

See page 4 of this document for short-circuit ratings and branch circuit protection information .



#### b) Connect Control:



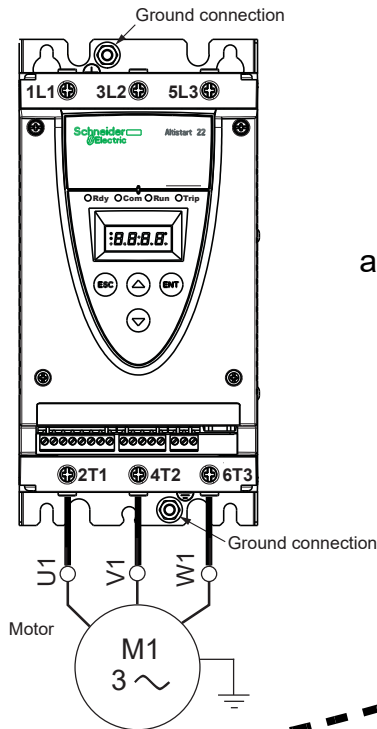
- Check that the control supply is **230V** for CL1 and CL2.
- Remove the red sticker which covers the CL1-CL2 terminals.
- Wire control supply: CL1 and CL2.
- Wire logical inputs: L1 and L2.
- Wire the relay: R2A and R2C.

**Note:** For additional information in order to size the protective and control devices, refer to the catalog or the user manual (BBV51330) available on [www.se.com](http://www.se.com)

## 6 Connect the soft starter

# For ATS22...S6U

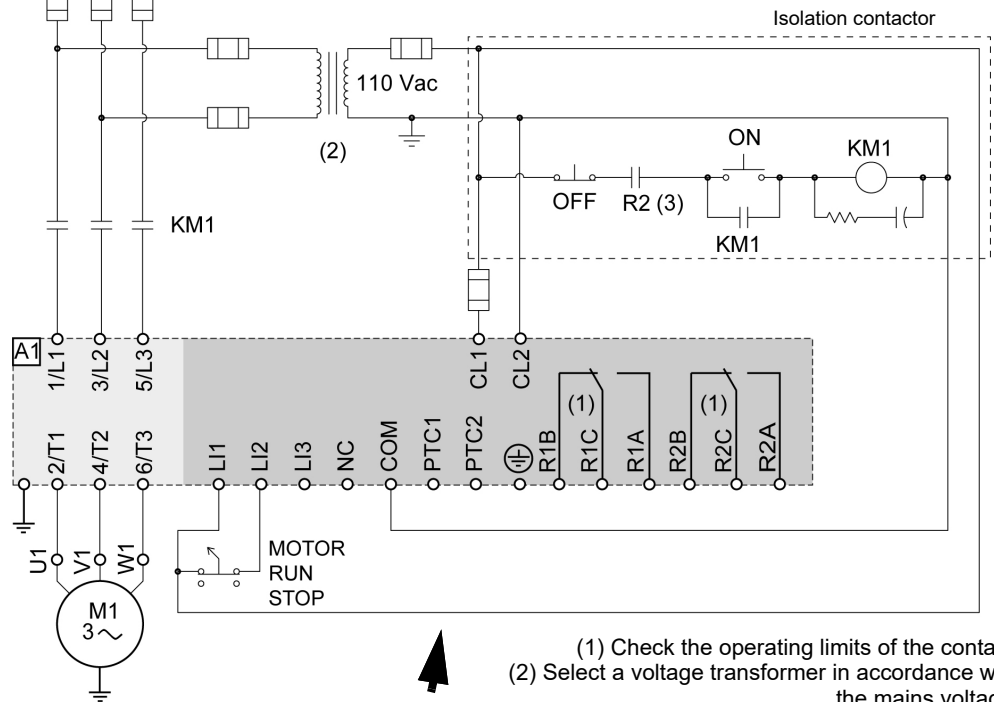
## 2-wire control, freewheel stop



### a) Connect Power:

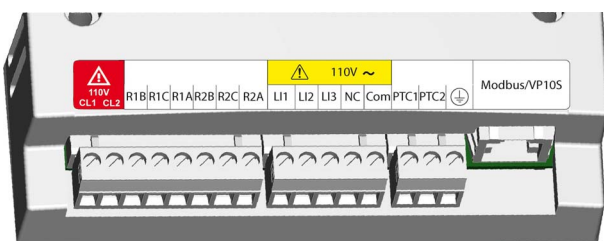
- Wire the soft starter to the ground.
- Wire the soft starter to the line supply: 1/L1 – 3/L2 – 5/L3.
- Check that the motor voltage is compatible with the soft starter voltage.
- Wire the soft starter to the motor.

See page 3 and 4 of this document for short-circuit ratings and branch circuit protection information.



- (1) Check the operating limits of the contact.
- (2) Select a voltage transformer in accordance with the mains voltage.
- (3) Detected fault trip relay

### b) Connect Control:



- Check that the control supply is 110V for CL1 and CL2.
- Remove the red sticker which covers the CL1-CL2 terminals.
- Wire control supply: CL1 and CL2.
- Wire logical inputs: LI1 and LI2.
- Wire the relay: R2A and R2C.

**Note:** For additional information in order to size the protective and control devices, refer to the catalog or the user manual (BBV51330) available on [www.se.com](http://www.se.com)

# ATS22●●●S6U Combination Short Circuit Current Ratings (SCCR)

The table shows recommended combination ratings with fuse or circuit breaker protective device for ATS22●●●S6U.

| Altistart 22                                  |             |                                    | SCCR Ratings <sup>5</sup>   |   |                                      |                             |  |                                      | TeSys<br>Contactor <sup>8</sup> | Minimum Enclosure<br>Volume                              |  |             |    |
|---|-------------|------------------------------------|---|---|--------------------------------------|-----------------------------|--|--------------------------------------|---------------------------------|--|--|-------------|----|
| Power<br>indicated on<br>rating plate<br>(HP) | Reference   | NEC Full<br>Load<br>Current<br>(A) | With Circuit Breaker  |   |                                      | With Fuses <sup>6</sup>     |  |                                      |                                 | No TeSys<br>Contactor <sup>4</sup><br>(in <sup>3</sup> ) | With TeSys<br>Contactor <sup>4</sup><br>(in <sup>3</sup> ) |             |    |
|   |             |                                    | Power Pact <sup>1, 2</sup><br>(Inverse Time)<br><b>C1, C2<sup>4</sup></b> | Power Pact <sup>1, 2</sup><br>(Instantaneous-Trip)<br><b>C1, C2<sup>4</sup></b> | SCCR<br>(kA)<br><b>B<sup>4</sup></b> | Molded Case<br>Switches     | Fuse<br>(A)<br><b>C1, C2<sup>4</sup></b> | SCCR<br>(kA)<br><b>B<sup>4</sup></b> |                                 |  |  |             |    |
| <b>208V<sup>A</sup></b>                       |             |                                    |   |   |                                      |                             |  |                                      |                                 |  |  |             |    |
| 3   | ATS22D17S6U | 10.6                               | HLL36040  | HLL36030M71   | 100                                  | HLL36000S15                 | 15                                       | 100                                  | LC●D18                          | 2310   | 4158   |             |    |
| 7.5   | ATS22D32S6U | 24.2                               | HLL36070  | HLL36050M72   | 100                                  | HLL36000S15                 | 40                                       | 100                                  | LC●D32                          | 2310   | 4158   |             |    |
| 10  | ATS22D47S6U | 30.8                               | HLL36100  | HLL36100M73   | 100                                  | HLL36000S15                 | 50                                       | 100                                  | LC●D40A                         | 2310   | 4158   |             |    |
| 15  | ATS22D62S6U | 46.2                               | HLL36125  | HLL36100M73   | 100                                  | HLL36000S15                 | 80                                       | 100                                  | LC●D50A                         | 2772   | 4620   |             |    |
| 20  | ATS22D75S6U | 59.4                               | HLL36150  | HLL36150M74   | 100                                  | HLL36000S15                 | 100                                      | 100                                  | LC●D80                          | 2772   | 4620   |             |    |
| 25  | ATS22D88S6U | 74.8                               | HLL36150  | HLL36150M74   | 100                                  | HLL36000S15                 | 125                                      | 100                                  | LC●D80                          | 2772   | 4620   |             |    |
| 30  | ATS22C11S6U | 88                                 | JLL36250  | HLL36150M74   | 100                                  | HLL36000S15                 | 150                                      | 100                                  | LC●D115                         | 3696   | 6468   |             |    |
| 40  | ATS22C14S6U | 114                                | JLL36250  | JLL36250M75   | 100                                  | HLL36000S15                 | 200                                      | 100                                  | LC●D150                         | 3696   | 6468   |             |    |
| 50  | ATS22C17S6U | 143                                | JLL36250  | JLL36250M75   | 100                                  | JLL36000S25                 | 250                                      | 100                                  | LC●F185                         | 3696   | 6468   |             |    |
| 60  | ATS22C21S6U | 169                                | LLL36400  | JLL36250M75   | 100                                  | JLL36000S25<br>LLL36600S60X | 250                                      | 100                                  | LC●F265                         | 11267  | 45000  |             |    |
|   |             |                                    |   | LLL36400M37X  |                                      |                             |  |                                      |                                 |  |  |             |    |
|   |             |                                    |   | LHL36350  |                                      |                             |  |                                      |                                 |  |  | LHL3640031M | 42 |
| 75  | ATS22C25S6U | 211                                | LHL36400  | LHL3640032M   | 42                                   | LLL36600S60X                | 350                                      | 100                                  | LC●F330                         | 11267  | 45000  |             |    |
|   |             |                                    |   | LLL36400  | LLL36400M37X                         |                             |  |                                      |                                 |  |  | 100         |    |
| 100   | ATS22C32S6U | 273                                | LLL36600  | LLL36600M37X  | 100                                  | LLL36600S60X                | 450                                      | 100                                  | LC●F400                         | 11267  | 45000  |             |    |
| 125   | ATS22C41S6U | 343                                | LLL36600  | LLL36600M37X  | 100                                  | LLL36600S60X                | 600                                      | 100                                  | LC●F500                         | 11267  | 45000  |             |    |
| 150   | ATS22C48S6U | 396                                | MJJ36800  | PLL34080M68   | 100                                  | PLL34000S60                 | 700                                      | 100                                  | LC●F500                         | 10584  | 34272  |             |    |
|   |             |                                    |   |   |                                      |                             |  |                                      |                                 |  |  | PLL34080    |    |
| <b>230V<sup>A</sup></b>                       |             |                                    |   |   |                                      |                             |  |                                      |                                 |  |  |             |    |
| 5   | ATS22D17S6U | 15.2                               | HLL36040  | HLL36030M71   | 100                                  | HLL36000S15                 | 30                                       | 100                                  | LC●D25                          | 2310   | 4158   |             |    |
| 10  | ATS22D32S6U | 28                                 | HLL36070  | HLL36050M72   | 100                                  | HLL36000S15                 | 45                                       | 100                                  | LC●D32                          | 2310   | 4158   |             |    |
| 15  | ATS22D47S6U | 42                                 | HLL36100  | HLL36100M73   | 100                                  | HLL36000S15                 | 70                                       | 100                                  | LC●D50A                         | 2310   | 4158   |             |    |
| 20  | ATS22D62S6U | 54                                 | HLL36125  | HLL36100M73   | 100                                  | HLL36000S15                 | 90                                       | 100                                  | LC●D65A                         | 2772   | 4620   |             |    |
| 25  | ATS22D75S6U | 68                                 | HLL36150  | HLL36150M74   | 100                                  | HLL36000S15                 | 110                                      | 100                                  | LC●D80                          | 2772   | 4620   |             |    |
| 30  | ATS22D88S6U | 80                                 | HLL36150  | HLL36150M74   | 100                                  | HLL36000S15                 | 125                                      | 100                                  | LC●D115                         | 2772   | 4620   |             |    |
| 40  | ATS22C11S6U | 104                                | JLL36250  | HLL36150M74   | 100                                  | HLL36000S15                 | 175                                      | 100                                  | LC●D150                         | 3696   | 6468   |             |    |
| 50  | ATS22C14S6U | 130                                | JLL36250  | JLL36250M75   | 100                                  | JLL36000S17 <sup>7</sup>    | 225                                      | 100                                  | LC●D150                         | 3696   | 6468   |             |    |
| 60  | ATS22C17S6U | 154                                | JLL36250  | JLL36250M75   | 100                                  | JLL36000S25                 | 250                                      | 100                                  | LC●F185                         | 3696   | 6468   |             |    |
| 75  | ATS22C21S6U | 192                                | LLL36400  | JLL36250M75   | 100                                  | JLL36000S25<br>LLL36600S60X | 300                                      | 100                                  | LC●F330                         | 11267  | 45000  |             |    |
|   |             |                                    |   | LLL36400M37X  |                                      |                             |  |                                      |                                 |  |  |             |    |
|   |             |                                    |   | LHL36350  |                                      |                             |  |                                      |                                 |  |  | LHL3640031M | 42 |
| 100   | ATS22C25S6U | 248                                | LHL36400  | LHL3640032M   | 42                                   | LLL36600S60X                | 400                                      | 100                                  | LC●F330                         | 11267  | 45000  |             |    |
|   |             |                                    |   | LLL36400  | LLL36400M37X                         |                             |  |                                      |                                 |  |  | 100         |    |
| 125   | ATS22C32S6U | 312                                | LLL36600  | LLL36600M37X  | 100                                  | LLL36600S60X                | 500                                      | 100                                  | LC●F400                         | 11267  | 45000  |             |    |
| 150   | ATS22C41S6U | 360                                | LLL36600  | LLL36600M37X  | 100                                  | LLL36600S60X                | 600                                      | 100                                  | LC●F500                         | 11267  | 45000  |             |    |
| 200   | ATS22C59S6U | 480                                | MJJ36800  | PLL34080M68   | 100                                  | PLL34000S80                 | 800                                      | 100                                  | LC●F630                         | 10584  | 34272  |             |    |
|   |             |                                    |   |   |                                      |                             |  |                                      |                                 |  |  | PLL34080    |    |
| <b>460V<sup>A</sup></b>                       |             |                                    |   |   |                                      |                             |  |                                      |                                 |  |  |             |    |
| 10  | ATS22D17S6U | 14                                 | HLL36040  | HLL36030M71   | 100                                  | HLL36000S15                 | 20                                       | 100                                  | LC●D18                          | 2310   | 4158   |             |    |
| 20  | ATS22D32S6U | 27                                 | HLL36070  | HLL36050M72   | 100                                  | HLL36000S15                 | 35                                       | 100                                  | LC●D32                          | 2310   | 4158   |             |    |
| 30  | ATS22D47S6U | 40                                 | HLL36100  | HLL36100M73   | 100                                  | HLL36000S15                 | 70                                       | 100                                  | LC●D50A                         | 2310   | 4158   |             |    |
| 40  | ATS22D62S6U | 52                                 | HLL36125  | HLL36100M73   | 100                                  | HLL36000S15                 | 90                                       | 100                                  | LC●D65A                         | 2772   | 4620   |             |    |
| 50  | ATS22D75S6U | 65                                 | HLL36150  | HLL36150M74   | 100                                  | HLL36000S15                 | 110                                      | 100                                  | LC●D80                          | 2772   | 4620   |             |    |
| 60  | ATS22D88S6U | 77                                 | HLL36150  | HLL36150M74   | 100                                  | HLL36000S15                 | 125                                      | 100                                  | LC●D115                         | 2772   | 4620   |             |    |
| 75  | ATS22C11S6U | 96                                 | JLL36250  | HLL36150M74   | 100                                  | HLL36000S15                 | 150                                      | 100                                  | LC●D115                         | 3696   | 6468   |             |    |
| 100   | ATS22C14S6U | 124                                | JLL36250  | JLL36250M75   | 100                                  | JLL36000S17 <sup>7</sup>    | 200                                      | 100                                  | LC●D150                         | 3696   | 6468   |             |    |
| 125   | ATS22C17S6U | 156                                | JLL36250  | JLL36250M75   | 100                                  | JLL36000S25                 | 250                                      | 100                                  | LC●F185                         | 3696   | 6468   |             |    |
|   |             |                                    |   | LLL36400  |                                      |                             |  |                                      |                                 |  |  | JLL36250M75 |    |
| 150   | ATS22C21S6U | 180                                | LIL36350  | LLL36400M37X  | 100                                  | JLL36000S25<br>LLL36600S60X | 300                                      | 100                                  | LC●F265                         | 11267  | 45000  |             |    |
|   |             |                                    |   | LHL36350  |                                      |                             |  |                                      |                                 |  |  | LHL3640031M | 42 |
|   |             |                                    |   | LHL36400  |                                      |                             |  |                                      |                                 |  |  | LHL3640032M | 42 |
| 200   | ATS22C25S6U | 240                                | LLL36400  | LLL36400M37X  | 100                                  | LLL36600S60X                | 400                                      | 100                                  | LC●F330                         | 11267  | 45000  |             |    |
|   |             |                                    |   | LIL36400  |                                      |                             |  |                                      |                                 |  |  |             |    |
| 250   | ATS22C32S6U | 302                                | LLL36600  | LLL36600M37X  | 100                                  | LLL36600S60X                | 500                                      | 100                                  | LC●F400                         | 11267  | 45000  |             |    |
| 300   | ATS22C41S6U | 361                                | LLL36600  | LLL36600M37X  | 100                                  | LLL36600S60X                | 600                                      | 100                                  | LC●F500                         | 11267  | 45000  |             |    |
|   |             |                                    |   | LIL36600  |                                      |                             |  |                                      |                                 |  |  |             |    |
| 350   | ATS22C48S6U | 414                                | MJJ36800  | -   | 65                                   | PLL34000S60                 | 700                                      | 100                                  | LC●F500                         | 10584  | 34272  |             |    |
|   |             |                                    |   | PLL34080  | PLL34080M68                          |                             |  |                                      |                                 |  |  | 100         |    |
| 400   | ATS22C59S6U | 477                                | MJJ36800  | -   | 65                                   | PLL34000S80                 | 800                                      | 100                                  | LC●F630                         | 10584  | 34272  |             |    |
|   |             |                                    |   | PLL34080  | PLL34080M68                          |                             |  |                                      |                                 |  |  | 100         |    |

Footnotes are on page 4.

| Altistart 22                         |             |                           | SCCR Ratings <sup>5</sup>  |  |                                 |                             |                                     |                                 |  | TeSys Contactor <sup>8</sup> | Minimum Enclosure Volume                             |    |
|--------------------------------------|-------------|---------------------------|--|--|---------------------------------|-----------------------------|-------------------------------------|---------------------------------|--|------------------------------|--|----|
| Power indicated on rating plate (HP) | Reference   | NEC Full Load Current (A) | With Circuit Breaker   |  |                                 | With Fuses <sup>6</sup>     |                                     |                                 | No TeSys Contactor <sup>4</sup> (in <sup>3</sup> ) |                              | With TeSys Contactor <sup>4</sup> (in <sup>3</sup> ) |    |
|                                      |             |                           | Power Pact <sup>1, 2</sup> (Inverse Time) <b>C1, C2 <sup>4</sup></b> | Power Pact <sup>1, 2</sup> (Instantaneous-Trip) <b>C1, C2 <sup>4</sup></b> | SCCR (kA) <b>B <sup>4</sup></b> | Molded Case Switches        | Fuse (A) <b>C1, C2 <sup>4</sup></b> | SCCR (kA) <b>B <sup>4</sup></b> |  |                              |  |    |
| <b>575V <sup>A</sup></b>             |             |                           |  |  |                                 |                             |                                     |                                 |  |                              |  |    |
| 15                                   | ATS22D17S6U | 17                        | HLL36040   | HLL36030M71  | 50                              | HLL36000S15                 | 25                                  | 100                             | LC <sup>●</sup> D40A                               | 2310                         | 4158   |    |
| 25                                   | ATS22D32S6U | 27                        | HLL36070   | HLL36050M72  | 50                              | HLL36000S15                 | 45                                  | 100                             | LC <sup>●</sup> D40A                               | 2310                         | 4158   |    |
| 40                                   | ATS22D47S6U | 41                        | HLL36100   | HLL36100M73  | 50                              | HLL36000S15                 | 70                                  | 100                             | LC <sup>●</sup> D50A                               | 2310                         | 4158   |    |
| 50                                   | ATS22D62S6U | 52                        | HLL36125   | HLL36100M73  | 50                              | HLL36000S15                 | 90                                  | 100                             | LC <sup>●</sup> D80                                | 2772                         | 4620   |    |
| 60                                   | ATS22D75S6U | 62                        | HLL36150   | HLL36150M74  | 50                              | HLL36000S15                 | 100                                 | 100                             | LC <sup>●</sup> D80                                | 2772                         | 4620   |    |
| 75                                   | ATS22D88S6U | 77                        | HLL36150   | HLL36150M74  | 50                              | HLL36000S15                 | 125                                 | 100                             | LC <sup>●</sup> D115                               | 2772                         | 4620   |    |
| 100                                  | ATS22C11S6U | 99                        | JLL36250   | HLL36150M74  | 50                              | HLL36000S15                 | 150                                 | 100                             | LC <sup>●</sup> D115                               | 3696                         | 6468   |    |
| 125                                  | ATS22C14S6U | 125                       | JLL36250   | JLL36250M75  | 50                              | JLL36000S17 <sup>7</sup>    | 200                                 | 100                             | LC <sup>●</sup> D150                               | 3696                         | 6468   |    |
| 150                                  | ATS22C17S6U | 144                       | JLL36250   | JLL36250M75  | 50                              | JLL36000S25                 | 250                                 | 100                             | LC <sup>●</sup> F185                               | 3696                         | 6468   |    |
| 200                                  | ATS22C21S6U | 192                       | LLL36400 <sup>3</sup>  | JLL36250M75  | 50                              | JLL36000S25<br>LLL36600S60X | 300                                 | 100                             | LC <sup>●</sup> F330                               | 11267                        | 45000  |    |
|                                      |             |                           | LIL36350   | LLL36400M37X <sup>3</sup>  |                                 |                             |                                     |                                 |  |                              |  |    |
|                                      |             |                           | LHL36350   | LHL3640031M  |                                 |                             |                                     |                                 |  |                              |  | 18 |
| 250                                  | ATS22C25S6U | 242                       | LLL36400 <sup>3</sup>  | LLL36400M37X <sup>3</sup>  | 50                              | LLL36600S60X                | 400                                 | 100                             | LC <sup>●</sup> F330                               | 11267                        | 45000  |    |
|                                      |             |                           | LIL36400   | LHL3640032M  |                                 |                             |                                     |                                 |  |                              |  | 18 |
|                                      |             |                           | LHL36400   |  |                                 |                             |                                     |                                 |  |                              |  |    |
| 300                                  | ATS22C32S6U | 289                       | LLL36600 <sup>3</sup>  | LLL36600M37X <sup>3</sup>  | 50                              | LLL36600S60X                | 500                                 | 100                             | LC <sup>●</sup> F400                               | 11267                        | 45000  |    |
|                                      |             |                           | LIL36500   |  |                                 |                             |                                     |                                 |  |                              |  |    |
| 350                                  | ATS22C41S6U | 336                       | LLL36600 <sup>3</sup>  | LLL36600M37X <sup>3</sup>  | 50                              | LLL36600S60X                | 500                                 | 100                             | LC <sup>●</sup> F500                               | 11267                        | 45000  |    |
|                                      |             |                           | LIL36600   |  |                                 |                             |                                     |                                 |  |                              |  |    |
| 400                                  | ATS22C48S6U | 382                       | MJL36800   | -  | 25                              | PKL36000S60                 | 600                                 | 100                             | LC <sup>●</sup> F500                               | 10584                        | 34272  |    |
|                                      |             |                           | PKL36080   | PKL36080M68  | 50                              |                             |                                     |                                 |  |                              |  |    |
| 500                                  | ATS22C59S6U | 472                       | MJL36800   | -  | 25                              | PKL36000S80                 | 800                                 | 100                             | LC <sup>●</sup> F630                               | 10584                        | 34272  |    |
|                                      |             |                           | PKL36080   | PKL36080M68  | 50                              |                             |                                     |                                 |  |                              |  |    |

- Square D PowerPact circuit breakers. Maximum breaker size for SCCR is shown. The third character of the breaker catalog number may be an "L", an "F", an "M" or a "P". The following types of Square D breakers with lower interrupting ratings may be substituted for the breakers shown: HD, HG, HJ, JD, JG, JJ, LG, LJ, MG, PG, PJ, PK.
- A smaller ampacity breaker within the same product family may be substituted for the one described.
- Short circuit rating of the combination exceeds the rating of the circuit breaker. Combinations including F500 contactor are rated 35 kA at 600V.
- Suitable for use on a circuit capable of delivering not more than **B** rms symmetrical kiloAmperes, **A** Volts maximum, when protected by **C1** with a maximum rating of **C2**.
- For all models, rating indicates standard use conditions. For heavy duty condition, the user manual must be referred to.
- Molded case switches provide the disconnecting means, and fuses provide the short circuit protection. The molded case switch part numbers are only suggestions. Customer may choose to use similar approved disconnecting means.
- JLL36000S17 may be replaced by JLL36000S25.
- Contactor may be LC1 or LC2 type. The next larger contactor may be substituted for the one shown. Contactors may be used in conjunction with circuit breaker protection and ATS22 soft starter for line and load isolation applications.

## ATS22●●●Q & ●●●S6 Combination Short Circuit Current Ratings (SCCR)

The table shows recommended combination ratings with fuse or circuit breaker protective device for ATS22●●●Q & ATS22●●●S6.

| ATS22 Stand-alone product | Max. short circuit current rating (SCCR) <b>X</b> | Branch circuit protection |           |
|---------------------------|---|---------------------------|-----------|
|                           |   | <b>Z1</b> <sup>1</sup>    | <b>Z2</b> |
| ATS22D17●●                | 5 kA  | AJT40                     | 40 A      |
| ATS22D32●●                |   | AJT70                     | 70 A      |
| ATS22D47●●                |   | AJT100                    | 100 A     |
| ATS22D62●●                | 10 kA   | AJT125                    | 125 A     |
| ATS22D75●●                |   | AJT175                    | 175 A     |
| ATS22D88●●                |   | AJT200                    | 200 A     |
| ATS22C11●●                |   | AJT250                    | 250 A     |
| ATS22C14●●                |   | AJT300                    | 300 A     |
| ATS22C17●●                |   | AJT400                    | 400 A     |
| ATS22C21●●                |   | AJT500                    | 500 A     |
| ATS22C25●●                | 18 kA   | AJT600                    | 600 A     |
| ATS22C32●●                |   | 2 x AJT350                | 2 x 350 A |
| ATS22C41●●                |   | 2 x AJT400                | 2 x 400 A |
| ATS22C48●●                |   | 2 x AJT500                | 2 x 500 A |
| ATS22C59●●                |   | 2 x AJT600                | 2 x 600 A |

Soft starter 208/600 V- 60 Hz (+10% -15%) - Standard rating.

Suitable for use on a circuit capable of delivering not more than **X** rms symmetrical Amperes, 575 Volts maximum, when protected by **Z1** with a maximum rating of **Z2**.

<sup>1</sup> Ferraz Shawmut manufacturer.

Устройство плавного пуска серии Altistart

Основные параметры и характеристики указаны на маркировке изделия.

Наименование страны, где изготовлено изделия, указано на упаковке.

Устройство плавного пуска предназначено для управления асинхронными двигателями.

Безопасность применения оборудования обеспечивается его эксплуатацией в установленных изготовителем условиях квалифицированным персоналом.

Правила и условия монтажа, хранения, перевозки (транспортирования), реализации и утилизации согласно инструкции по эксплуатации, размещенной на сайте изготовителя.

Отключите питание цепей управления пускового устройства в случае не сбрасываемой неисправности и дождитесь погасания экрана терминала. Найдите причину неисправности и устраните ее.

Подключите питание: это приведет к стиранию неисправности, если причина устранена.

В некоторых случаях может произойти автоматический повторный пуск после исчезновения неисправности, если эта функция была запрограммирована.

Уполномоченный поставщик в Республике Казахстан:

ТОО «Шнейдер Электрик»

Адрес: 050010, РК, г. Алматы, пр. Достык, 38,

Бизнес Центр «Кен Дала», 5 этаж, левое крыло.

Тел. +7 (727) 339 23 57

Номер службы поддержки клиентов:

Тел.: +7 (727) 339 24 52

Дата изготовления указана на упаковке (под текстом "Made in"): PPYYWW, где PP – код завода, YY – год изготовления, WW – номер недели изготовления.

Altistart сериялы жұмсақ стартер

Негізгі параметрлер мен сипаттамалар өнімнің жапсырмасында көрсетілген.

Өнім шығарылған мемлекеттің атауы қаптамада көрсетілген.

Жұмсақ стартер асинхронды қозғалтқыштарды басқаруға арналған.

Жабдықты пайдалану қауіпсіздігі оның өндіруші белгілеген жағдайларда білікті маманның жұмыс жасауымен қамтамасыз етіледі.

Өндірушінің веб-сайтында пайдалану жөніндегі нұсқаулыққа сәйкес орнату, сақтау, тасымалдау, сату және жою ережелері мен шарттары көрсетілген.

Қалпына келтіруге болмайтын ақаулық туындаған жағдайда, стартердің басқару тізбектеріндегі қуатты ажыратып, терминал экраны сөнгенше күтіңіз.

Мәселенің себебін тауып, оны түзетіңіз.

Қуат көзін қосыңыз: егер бұл себеп жойылса, ақаулық жойылады.

Кейбір жағдайларда, егер бұл функция бағдарламаланған болса, ақаулық жойылғаннан кейін автоматты түрде қайта іске қосылуы мүмкін.

Қазақстан Республикасында ресми жеткізуші:

ЖШС «Шнейдер Электрик»

Мекен-жайы: Қазақстан Республикасы, Алматы Қ., Достық даң. ү. 38, «Кен Дала» Бизнес Орталығы, 5-ші қабат.

Тел.: +7 (727) 339 23 57

Клиенттерге қолдау көрсету нөмірі:

Тел.: +7 (727) 339 24 52

Дайындалу күні қаптамада көрсетілген (мәтіннің астында көрсетілген "Made in"): PPYYWW, мұндағы PP - зауыт коды, YY - дайындалу жылы, WW – дайындалу аптасы.

**MANUFACTURER**  
**Schneider Electric Industries SAS**  
 35 rue Joseph Monier  
 Rueil Malmaison 92500  
 France

**UK REPRESENTATIVE**  
**Schneider Electric Limited**  
 Stafford Park 5  
 Telford, TF3 3BL  
 United Kingdom

## China RoHS Hazardous Substances Table



The data shown in this spreadsheet are related to the following version of the China RoHS 2.0:  
 "Administrative Measures for the Restriction of Hazardous Substances in Electric Appliances and Electronic Products"  
 released January 21st 2016.

| 部件名称<br>Part Name                         | 有害物质 - Hazardous Substances |        |        |               |            |              |
|---|-----------------------------|--------|--------|---------------|------------|--------------|
|   | 铅 (Pb)                      | 汞 (Hg) | 镉 (Cd) | 六价铬 (Cr (VI)) | 多溴联苯 (PBB) | 多溴二苯醚 (PBDE) |
| 金属部件<br>Metal Parts                       | X                           | O      | O      | O             | O          | O            |
| 塑料部件<br>Plastic Parts                     | O                           | O      | O      | O             | O          | O            |
| 电子件<br>Electronic                         | X                           | O      | O      | O             | O          | O            |
| 触点<br>Contacts                            | O                           | O      | O      | O             | O          | O            |
| 线缆和线缆附件<br>Cables and cabling accessories | O                           | O      | O      | O             | O          | O            |

本表格依据SJ/T11364的规定编制。  
 O: 表示该有害物质在该部件所有均质材料中的含量均在GB/T 26572规定的限量要求以下。  
 X: 表示该有害物质至少在该部件的某一均质材料中的含量超出GB/T 26572规定的限量要求。

This table is made according to SJ/T 11364.

O: indicates that the concentration of hazardous substance in all of the homogeneous materials for this part is **below** the limit as stipulated in GB/T 26572.

X: indicates that concentration of hazardous substance in at least one of the homogeneous materials used for this part is **above** the limit as stipulated in GB/T 26572