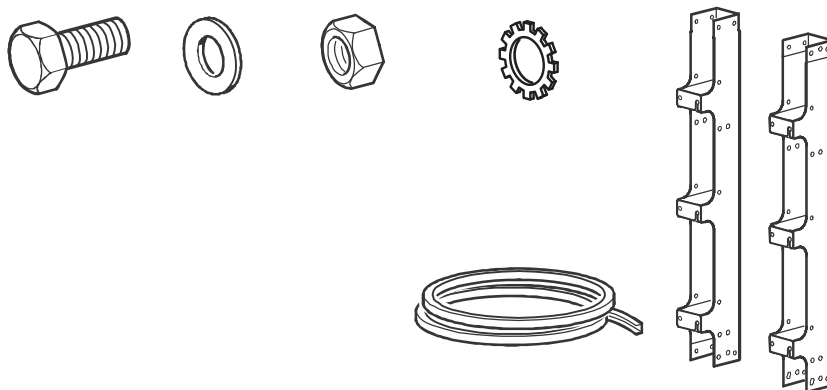
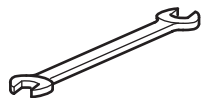


## NetShelter™ Vertical Cable Organizer

AR8440A, AR8441A



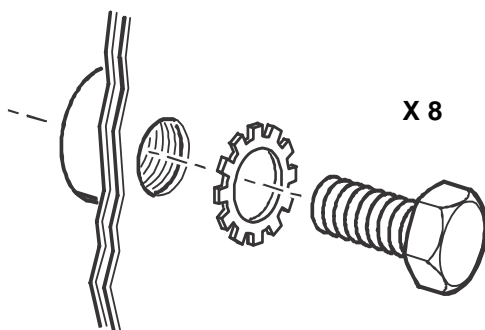
### Tools Required (not provided)



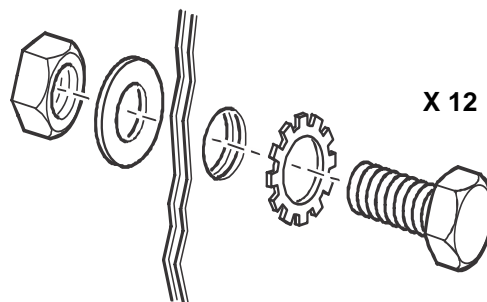
### NOTICE

The vertical cable organizer can be installed on all Schneider Electric 2 and 4 post racks. On these racks, the installation procedures are the same with the exception of the number and type of fasteners used.

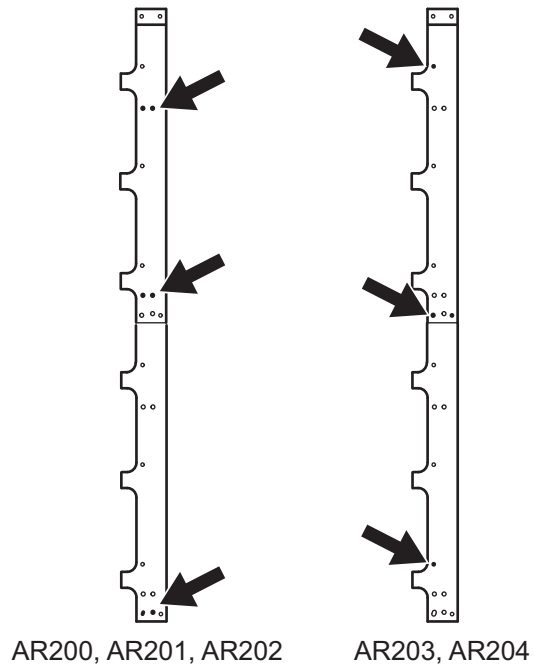
AR203 and AR204, 4 post racks:



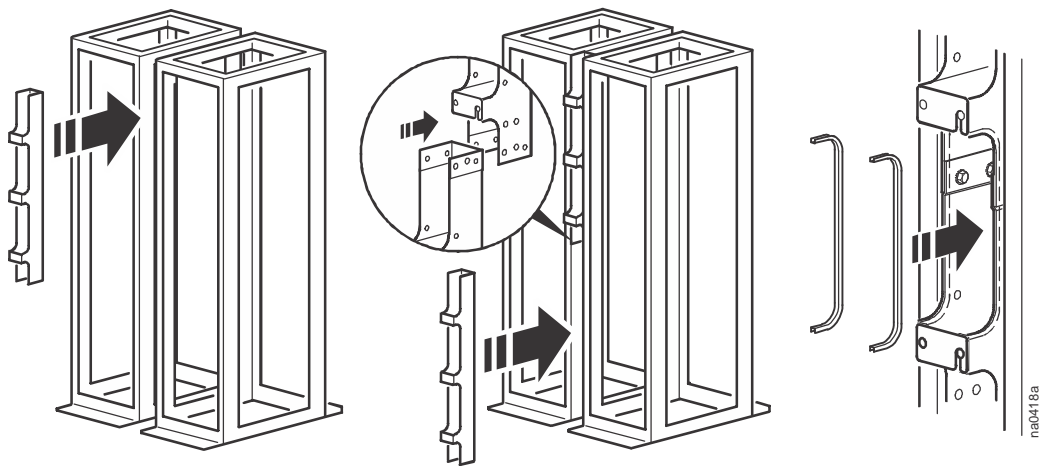
AR202, 4 post racks and AR200 and AR201, 2 post racks:



## Choose the correct hole configuration.



## Installation



Customer support and warranty information is available at [www.schneider-electric.com](http://www.schneider-electric.com).

© 2015 Schneider Electric. All Rights Reserved. Schneider Electric and NetShelter are trademarks owned by Schneider Electric Industries, S.A.S. or its affiliated companies.

990-1448A  
12/2015