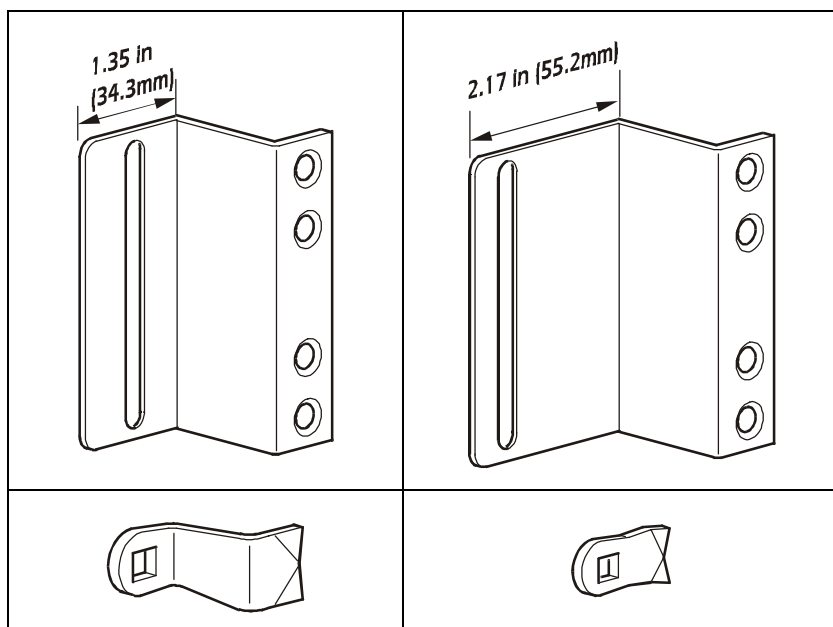


AR8132—Combination Lock

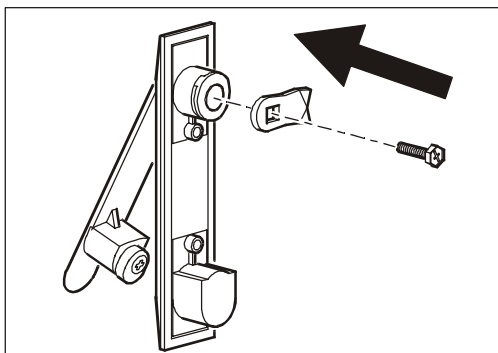
To remove the NetShelter lock:

1. Remove the screws from the lock.
2. Remove the handle and screw plate from the NetShelter enclosure.

To replace the cam:

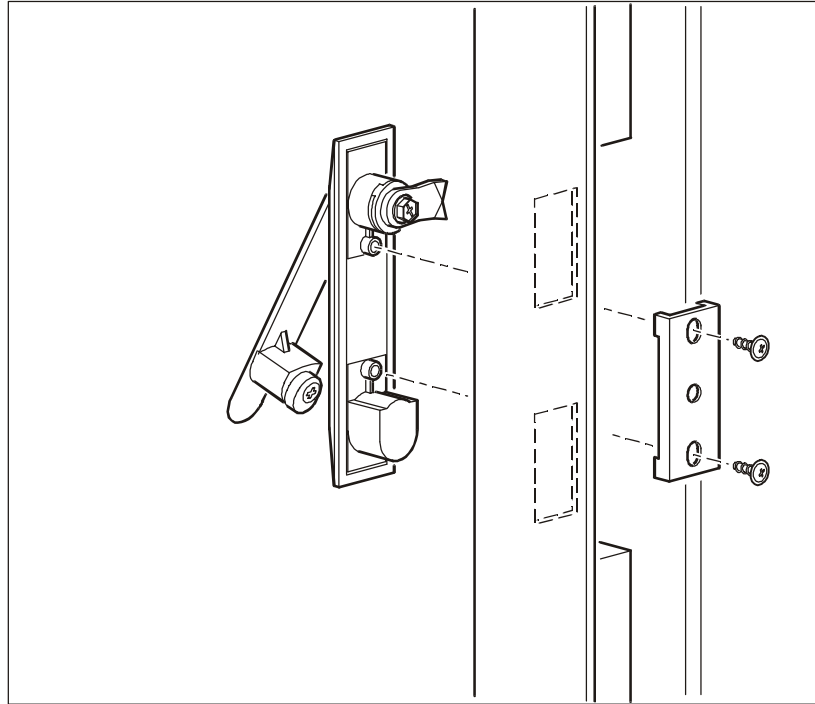


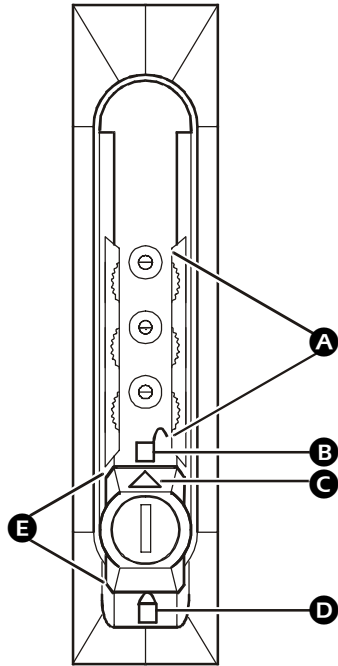
- **If your rack has a latch bracket that is 1.35 inches (34.3 mm) deep**, use the cam that is pre-installed on the combination lock.
- **If your rack has a latch bracket that is 2.17 inches (55.2 mm) deep**, replace the pre-installed cam with the smaller cam (provided).
 - a. Remove the screw holding the pre-installed cam in place. Slide the cam off the lock.
 - b. Replace the old cam with the smaller cam and secure it in place, using the screw removed in step a.



To install the combination lock (smaller cam shown):

1. Slide the handle through the two openings in the enclosure where the original lock was located.
2. Insert the screws that you removed from the NetShelter lock and secure the handle in place.

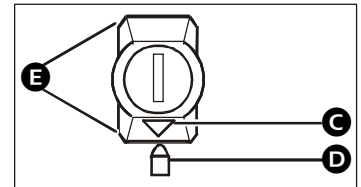




A	Combination dials
B	Unlocked position
C	Indicator arrow
D	Locked position
E	Wing knob

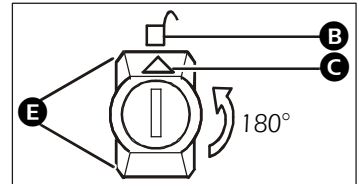
To set the lock:

1. Turn the wing knob (**E**) until the arrow (**C**) points down (locked position **D**).
2. Jumble the combination (**A** in the above illustration) or remove the key.



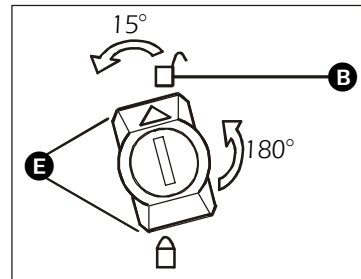
To disable the lock:

1. Dial in the factory-set combination (“000”) or use the key (provided).
2. Turn the wing knob (**E**) counterclockwise 180° until the arrow (**C**) points up (unlocked position **B**).



To change the combination:

1. Turn the wing knob until the arrow points up (unlocked position **B**). Turn it counterclockwise an additional 15°, and enter your new combination.
2. Turn the wing knob (**E**) clockwise 15° back to the unlocked position (**B**). The new combination is set.



Note

To change the combination you must know the existing one.



APC Worldwide Customer Support

Customer support for this or any other APC product is available at no charge in any of the following ways:

- Visit the APC Web site to find answers to frequently asked questions (FAQs), to access documents in the APC Knowledge Base, and to submit customer support requests.
 - **www.apc.com** (Corporate Headquarters)
Connect to localized APC Web sites for specific countries, each of which provides customer support information.
 - **www.apc.com/support/**
Global support with FAQs, knowledge base, and e-support.
- Contact an APC Customer Support center by telephone or e-mail.
 - Regional centers:

APC headquarters U.S., Canada	(1)(800)800-4272 (toll free)
Latin America	(1)(401)789-5735 (USA)
Europe, Middle East, Africa	(353)(91)702020 (Ireland)
Japan	(0) 3 5434-2021

- Local, country-specific centers: go to **www.apc.com/support/contact** for contact information.

Contact the APC representative or other distributor from whom you purchased your APC product for information on how to obtain local customer support.

Entire contents copyright © 2003 American Power Conversion. All rights reserved.

Reproduction in whole or in part without permission is prohibited. APC, the APC logo, and NetShelter are trademarks of American Power Conversion Corporation and may be registered in some jurisdictions. All other trademarks, product names, and corporate names are the property of their respective owners and are used for informational purposes only.