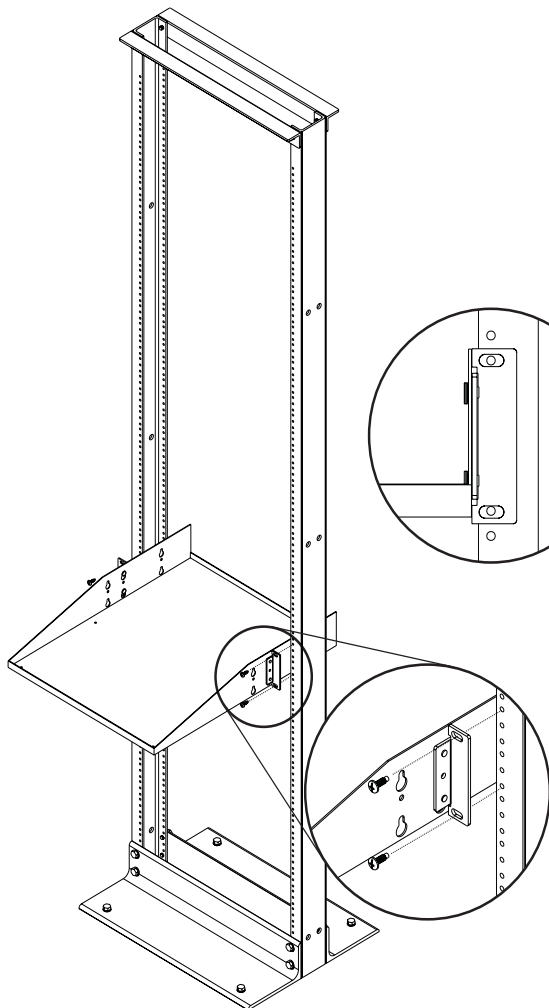
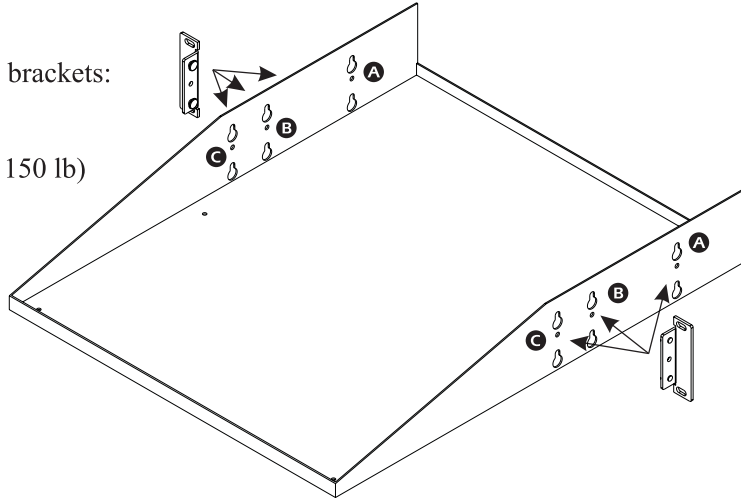


# APC® NetShelter®

## Heavy-Duty Fixed Shelf—AR8421

- 1** Choose a location for the mounting brackets:
- A** light loads,
  - B** intermediate loads,
  - C** heavy loads (up to maximum of 150 lb)



- 2** Align the holes on the mounting bracket with holes on the rail.

(Front)

- 3** Using four slotted/Phillips head screws (provided), firmly attach the shelf-bracket assembly to both rails.