



---

**APC Power  
Distribution Unit**

**AP9556  
AP9557**

**Installation Manual**

**APC<sup>®</sup>**



# Contents

---

<b>Before you begin</b> .....	<b>3</b>
<b>Installation</b> .....	<b>4</b>
Mounting options	4
Attach the mounting brackets	4
Attach the unit to the enclosure	5
<b>Operation</b> .....	<b>6</b>
<b>Specifications</b> .....	<b>7</b>
<b>Warranty Information</b> .....	<b>8</b>
Limited warranty	8
Warranty limitations	8
<b>Life-Support Policy</b> .....	<b>9</b>
General policy	9
Examples of life-support devices	9
<b>Obtaining Service</b> .....	<b>10</b>
<b>APC Worldwide Customer Support</b>	



# Before you begin

---

## Safety & grounding information



Please read the following information before installing or operating your APC Power Distribution Unit (PDU):

- This PDU is intended for indoor use only.
- Do not install this PDU where excessive moisture or heat is present.
- Never install any wiring, equipment, or PDUs during a lightning storm.
- Plug this PDU into a three-wire, grounded power outlet only. The power outlet must be connected to appropriate branch circuit/mains protection (fuse or circuit breaker). Connection to any other type of power outlet may result in a shock hazard.
- Use only the supplied brackets for mounting.
- Do not use extension cords and adapters with this PDU.
- Do not work alone under hazardous conditions.
- Check that the power cord, plug, and socket are in good condition.
- To reduce the risk of electric shock when grounding cannot be verified, disconnect the PDU from the power outlet before installing or connecting equipment. Reconnect to the power outlet only after all connections are made.
- Pluggable equipment includes a protective earth connector which carries the leakage current from the load devices (computer equipment). Do not exceed a total leakage current of 3.5 mA.

# Installation

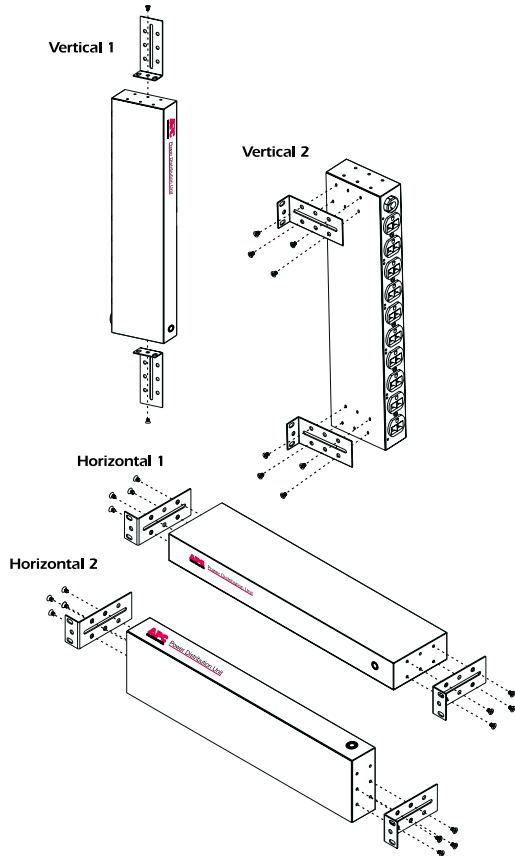
---

## Mounting options

This PDU was designed to be mounted in a variety of orientations within an enclosure. The mounting brackets (included) are equipped with multiple hole patterns that easily accommodate installation in a horizontal or vertical orientation. Study the figures on this page and those on page 5 for mounting options.

## Attach the mounting brackets

1. Decide which direction you would like the outlets to be facing and orient the brackets appropriately.
2. Attach the rack-mount brackets to the unit, using four flat-head Phillips screws (provided) for each bracket.



*Continued on next page*

# Installation *continued*

---

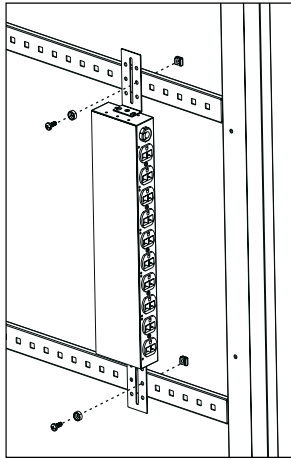
## Attach the unit to the enclosure

1. Choose a location for the unit and install four caged nuts (provided with your enclosure) in your chosen location. Make sure that the caged nuts will line up with the mounting brackets that you have attached to the unit.

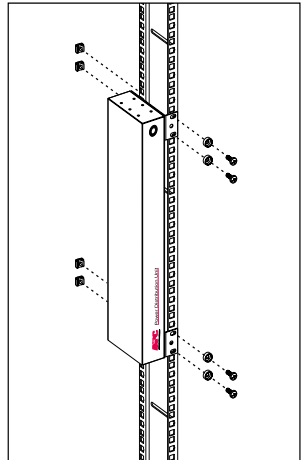
**Note:** If you are installing your PDU on a NetShelter enclosure's vertical mounting rail, install the caged nuts immediately above and below a notched hole on each vertical rail.

2. Align the mounting holes of the brackets with the installed caged nuts. Insert screws and tighten.

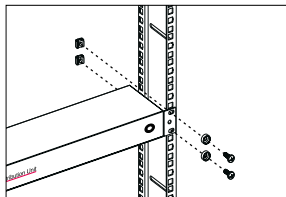
Vertical 1



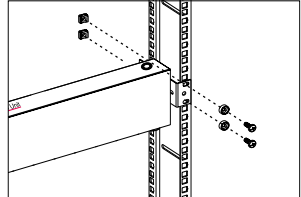
Vertical 2



Horizontal 1

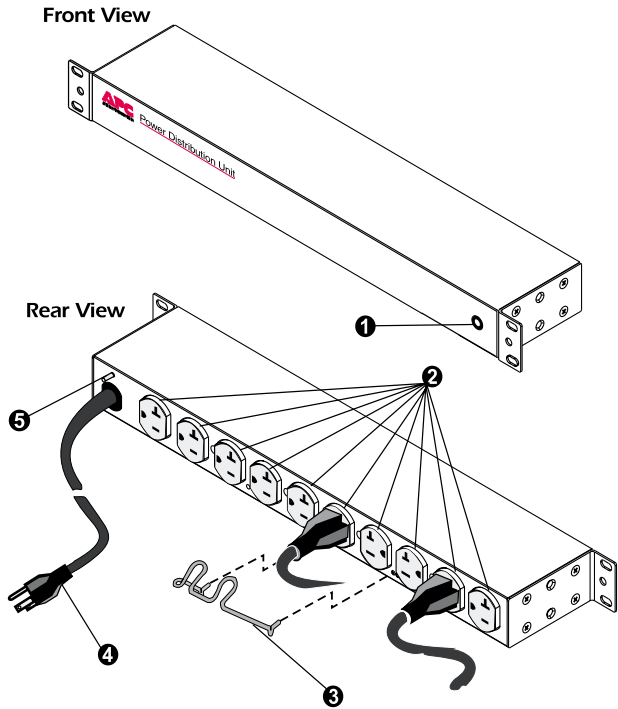


Horizontal 2



# Operation

## Overview



- |                                       |   |
|---------------------------------------|---|
| <b>1</b> Circuit Breaker              | When the circuit breaker is tripped (the button is extended), the PDU is overloaded and at least one piece of equipment needs to be unplugged. The circuit breaker is rated to trip at the same overload as most home and office utility service branch protectors (20A). |
| <b>2</b> Outlets                      | Ten NEMA 5-20 unswitched outlets  |
| <b>3</b> Plug Pull-Out Guard          | Use the guards to prevent cords from being accidentally disconnected from the outlets. (Five are provided.)   |
| <b>4</b> Power Cord<br>(AP9556 shown) | 20A power cord: 12' with a 5-20 plug (AP9556)<br>20A power cord: 12' with a L5-20 plug (AP9557)   |
| <b>5</b> Ground stud                  | 6-32 ground stud that can be used to ground the unit to the enclosure   |



# Specifications

## Product specifications

Item	Specification
<b>Power</b>	
Input voltage range:	100–125 V
Maximum current draw:	20 A
<b>Physical</b>	
Size (H × W × D):	1.69 × 17.0 × 4.00 in
Weight:	4.9 lb
Shipping weight:	6.1 lb
<b>Environmental</b>	
Elevation (above MSL): Operating Storage	0 to 10,000 ft (0 to 3000 m) 0 to 50,000 ft (0 to 15 000 m)
Temperature: Operating Storage	32 to 113° F (0 to 45° C) -13 to 149° F (-25 to 65° C)
Relative humidity: Operating Storage	0 to 95%, non-condensing 0 to 95%, non-condensing
<b>Approvals/Standards</b>	
UL, CUL	

# Warranty Information

---

## **Limited warranty**

American Power Conversion (APC) warrants the Power Distribution Unit to be free from defects in materials and workmanship for a period of two years from the date of purchase. Its obligation under this warranty is limited to repairing or replacing, at its own sole option, any such defective products. This warranty does not apply to equipment that has been damaged by accident, negligence, or misapplication or has been altered or modified in any way. This warranty applies only to the original purchaser.

## **Warranty limitations**

Except as provided herein, American Power Conversion makes no warranties, express or implied, including warranties of merchantability and fitness for a particular purpose.

Some jurisdictions do not permit limitation or exclusion of implied warranties; therefore, the aforesaid limitation(s) or exclusion(s) may not apply to the purchaser.

Except as provided above, in no event will APC be liable for direct, indirect, special, incidental, or consequential damages arising out of the use of this product, even if advised of the possibility of such damage.

Specifically, APC is not liable for any costs, such as lost profits or revenue, loss of equipment, loss of use of equipment, loss of software, loss of data, costs of substitutes, claims by third parties, or otherwise. This warranty gives you specific legal rights and you may also have other rights, which vary from state to state.

# Life-Support Policy

---

## **General policy**

As a general policy, American Power Conversion (APC) does not recommend the use of any of its products in life-support applications where failure or malfunction of the APC product can be reasonably expected to cause failure of the life-support device or to significantly affect its safety or effectiveness. APC does not recommend the use of any of its products in direct patient care. APC will not knowingly sell its products for use in such applications unless it receives in writing assurances satisfactory to APC that (a) the risks of injury or damage have been minimized, (b) the customer assumes all such risks, and (c) the liability of American Power Conversion is adequately protected under the circumstances.

## **Examples of life-support devices**

The term *life-support device* includes but is not limited to: neonatal oxygen analyzers, nerve stimulators (whether used for anesthesia, pain relief, or other purposes), autotransfusion devices, blood pumps, defibrillators, arrhythmia detectors and alarms, pacemakers, hemodialysis systems, peritoneal dialysis systems, neonatal ventilator incubators, ventilators for both adults and infants, anesthesia ventilators, infusion pumps and any other devices designated as “critical” by the U.S. FDA.

Hospital-grade wiring and leakage current protection may be ordered as options on many APC UPS systems. APC does not claim that units with these modifications are certified or listed as Hospital Grade by APC or any other organization. Therefore these units do not meet the requirements for use in direct patient care.

# Obtaining Service

---

## **If problems persist**

If you are experiencing problems with your PDU that are not covered in this manual, or if your problems with your PDU persist, follow this procedure:

1. Note the serial number and date of purchase of the Power Distribution Unit. Contact Customer Support at a phone number or address on the back cover of this manual.
2. Be prepared to provide a description of the problem. A technician will help solve the problem over the phone, if possible, or will give you a return material authorization (RMA) number.
3. If the Power Distribution Unit is under warranty, repairs or replacement is free of charge. If the warranty has expired, there will be a charge for repair or replacement.
4. Pack the Power Distribution Unit carefully to avoid damage in transit. Damage sustained in transit is not covered under the warranty. Enclose a letter in the package with your name, address, RMA number, a copy of the sales receipt, daytime phone number, and check (if applicable).
5. Mark the RMA number clearly on the outside of the shipping carton. The factory will not accept any materials without this marking.
6. Return the Power Distribution Unit by insured, prepaid carrier to the address provided by the Customer Support technician.









## APC Worldwide Customer Support

Customer support for this or any other APC product is available at no charge in any of the following ways:

- Visit the APC Web site to find answers to frequently asked questions (FAQs), to access documents in the APC Knowledge Base, and to submit customer support requests.
  - <http://www.apcc.com> (Corporate Headquarters)  
Connect by links to APC Web pages for specific countries and regions, each of which provides customer support information.
  - <http://www.apcc.com/support/>  
Submit customer support requests.

- Contact an APC Customer Support center by telephone or e-mail.
  - Regional centers:

APC Headquarters (U.S. and Canada)	(1) (800) 800-4272 (toll free)
Latin America	(1) (401) 789-5735 (United States) apctchla@apcc.com
Europe, Middle East, Africa	(353) (91) 702020 (Ireland) apceurtech@apcc.com
Japan	(03) 5434-2021 jsupport@apcc.com

- Local, country-specific centers: go to <http://www.apcc.com/support/contact> for contact information.
- Contact the APC representative or other distributor from whom you purchased your APC product for information on how to obtain local customer support.

Entire contents copyright © 2000 American Power Conversion. All rights reserved. Reproduction in whole or in part without permission is prohibited. APC and NetShelter are registered trademarks of American Power Conversion Corporation. All other trademarks, product names, and corporate names are the property of their respective owners and are used for informational purposes only.