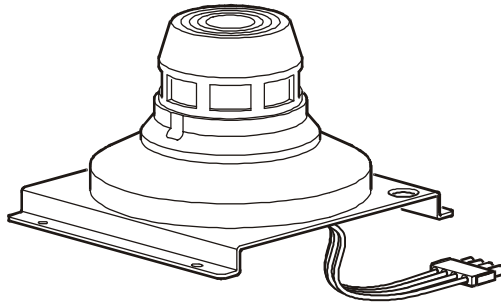


Smoke Detector for the Rack Air Removal Unit —ACF121

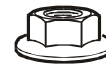
Overview

The Rack Air Removal Unit Smoke Detector tests a sample of the Rack Air Removal Unit exhaust for the presence of smoke in the rack. If smoke is detected, the fans will be shut off to decrease the amount of air being drawn into the rack.

Inventory

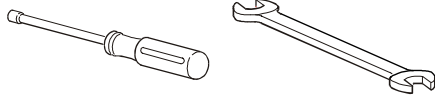


Smoke detector and bracket (1)

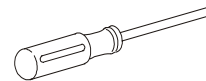


M4 Flanged nut (4)

Tools required

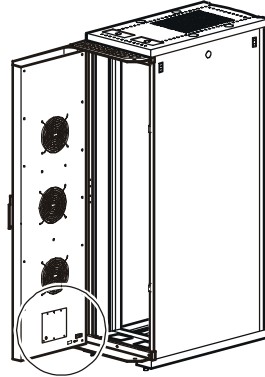
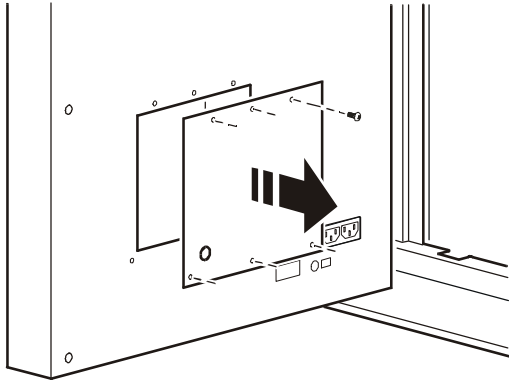


M4 nut driver or wrench

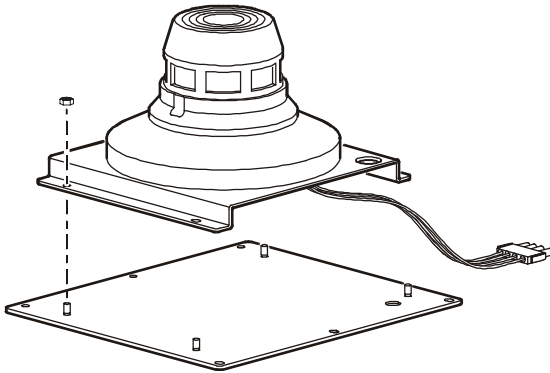


Phillips screwdriver

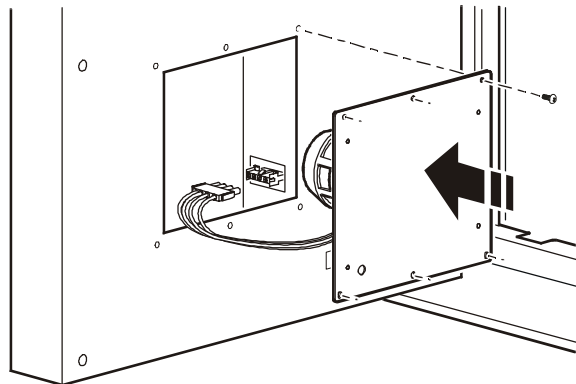
Installation



1. Remove the smoke detector cover plate, and save the six screws.



2. Fasten the smoke detector mounting bracket (with smoke detector already attached) to the cover plate using four M4 nuts (provided). Ensure that the wiring harness is extending out between the mounting bracket and the cover plate, as shown.



3. Plug the wiring harness into the wiring assembly plug. Ensure that the wiring harness is completely inside the smoke detector housing and is not pinched between the inner back door and the cover plate. Fasten the smoke detector cover plate to the inner back door using the six screws removed in step 1.

