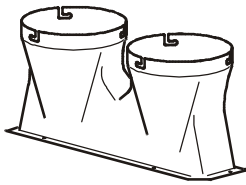


Duct Kit for the Rack Air Removal Unit—ACF120

Overview

The Rack Air Removal Unit Duct Kit takes hot air exhaust from the Rack Air Removal Unit and releases it into the space above the drop ceiling. Through a ducted exhaust system, hot air is directed out of the room, and proper air distribution minimizes temperature gradients in the rack.

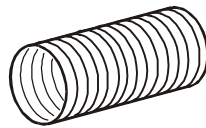
Inventory



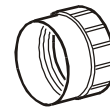
Air manifold (1)



Screw (4)



Hose (2)



Holder
flange (4)

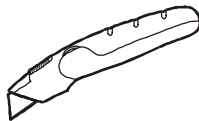


Ceiling adapter (1)

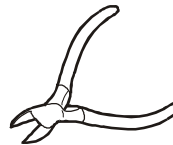
Tools required



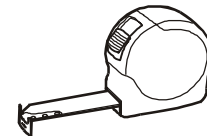
Standard screwdriver



Utility knife



Wire cutters



Tape measure

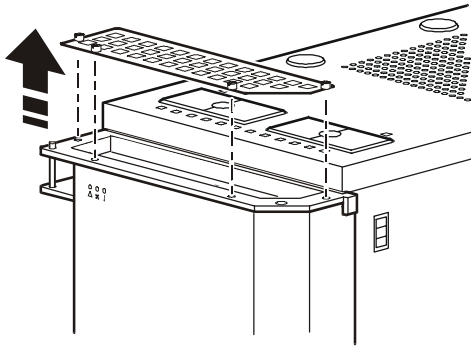


10-gauge steel wire
(minimum)

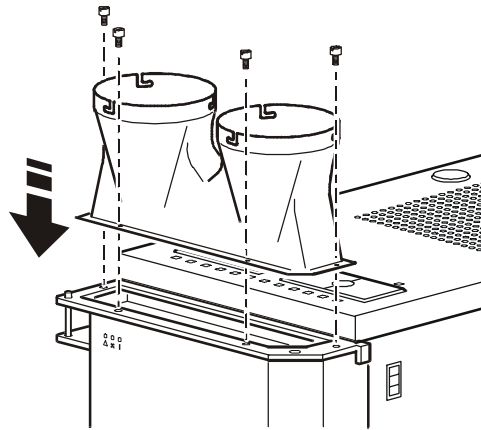


Drop ceiling cross tie
(optional)

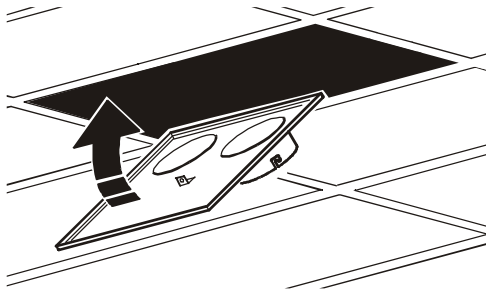
Installation



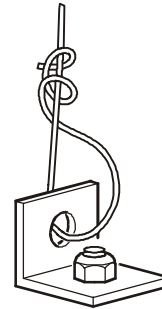
- 1** Remove the guard located on the top of the Air Removal Unit.



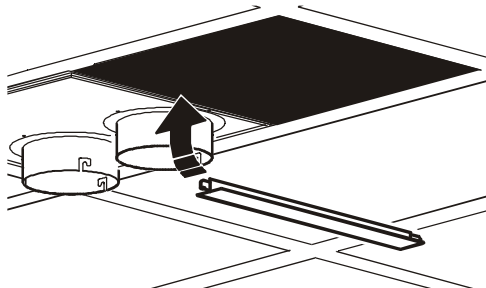
- 2** Install the air manifold using four screws (provided).



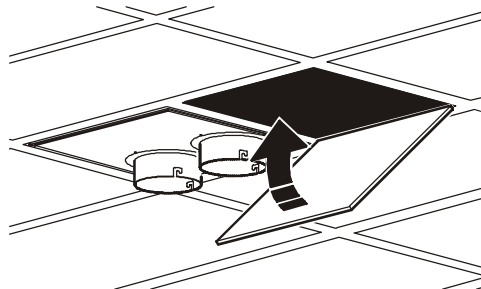
- 3** Remove the ceiling tile directly above the unit and save it for step 6. Install the ceiling adapter in the opening.



- 4** Secure the ceiling adapter to the building's structural support (not the drop ceiling), using 10-gauge (minimum) steel wire.



- 5** When using 2 × 4 ft ceiling tiles, insert a cross member (not provided) for added support.

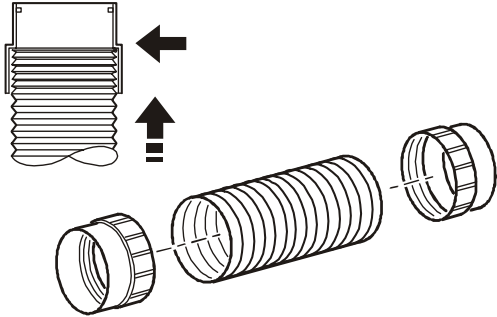


- 6** When using the 2 × 4 ft ceiling tiles, cut the tile removed from step 3 to size, and install it to cover the opening.

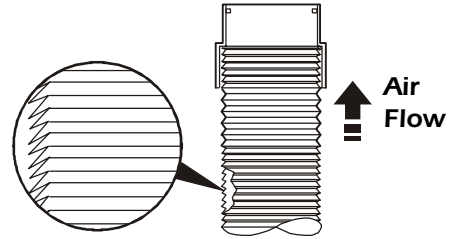


The hoses used are directional and will reduce airflow if not properly installed. Expand the hose in length to fit the required space.

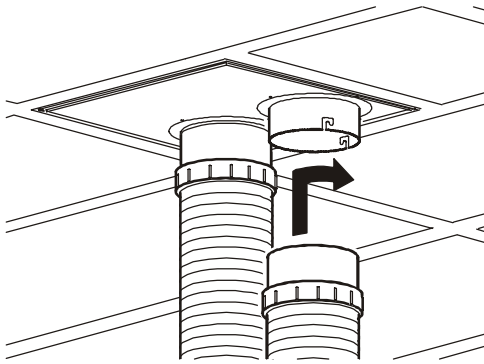
Note



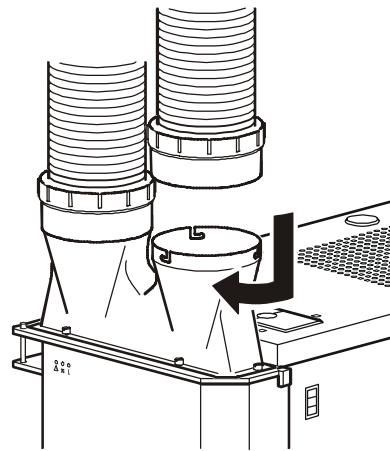
- 7** Thread a holder flange counterclockwise onto each end of each hoses until you can no longer turn the flange.



- 8** Install each hose so that the holder flange on the non-expanded end of the hose attaches to the ceiling (as shown in step 9).



- 9** Slide the holder flange from each hose over one of the ceiling adapter sleeves and turn it clockwise to lock it into place.



- 10** Slide the holder flanges onto the opposite end of the hoses over the air manifold sleeves and turn them clockwise to lock them into place.

APC Worldwide Customer Support

Customer support for this or any other APC product is available at no charge in any of the following ways:

- Visit the APC Web site to access documents in the APC Knowledge Base and to submit customer support requests.
 - **www.apc.com** (Corporate Headquarters)
Connect to localized APC Web sites for specific countries, each of which provides customer support information.
 - **www.apc.com/support/**
Global support searching APC Knowledge Base and using e-support.
- Contact an APC Customer Support center by telephone or e-mail.
 - Regional centers:

Direct InfraStruXure Customer Support Line	(1)(877)537-0607 (toll free)
APC headquarters U.S., Canada	(1)(800)800-4272 (toll free)
Latin America	(1)(401)789-5735 (USA)
Europe, Middle East, Africa	(353)(91)702000 (Ireland)
Japan	(0) 3 5434-2021
Australia, New Zealand, South Pacific area	(61) (2) 9955 9366 (Australia)

- Local, country-specific centers: go to **www.apc.com/support/contact** for contact information.

Contact the APC representative or other distributor from whom you purchased your APC product for information on how to obtain local customer support.

Entire contents © 2004 American Power Conversion. All rights reserved. Reproduction in whole or in part without permission is prohibited. APC, the APC logo, and InfraStruXure are trademarks of American Power Conversion Corporation and may be registered in some jurisdictions. All other trademarks, product names, and corporate names are the property of their respective owners and are used for informational purposes only.

