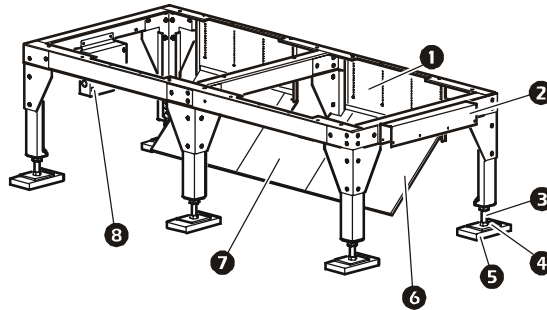


NetworkAIR[®] Precision Air Conditioning Floorstand—Installation

Identifying components



- | | |
|-------------------|--|
| ❶ Air blocks | ❺ Pad |
| ❷ Joining bracket | ❻ Turning vane |
| ❸ Adjustable legs | ❼ Turning vane extension |
| ❹ Pedestal | ❽ Electrical distribution box (optional) |



Heavy

Floorstands are heavy and therefore require at least two persons to install safely.



Note

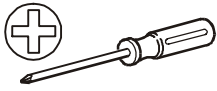
The APC NetworkAIR floorstands are rated for seismic zone 4.



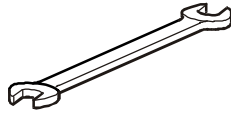
Note

The floorstand must be installed in compliance with local building codes.

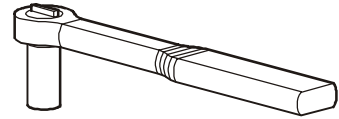
Tools required—not provided



P2 Phillips screwdriver



10mm wrench

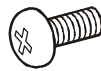


3/8 in ratchet wrench

Hardware—provided



#8-32 x 1/2 in Phillips
flat-head screw (8)



#8-32 x 1/2 in Phillips
pan-head screw (8)



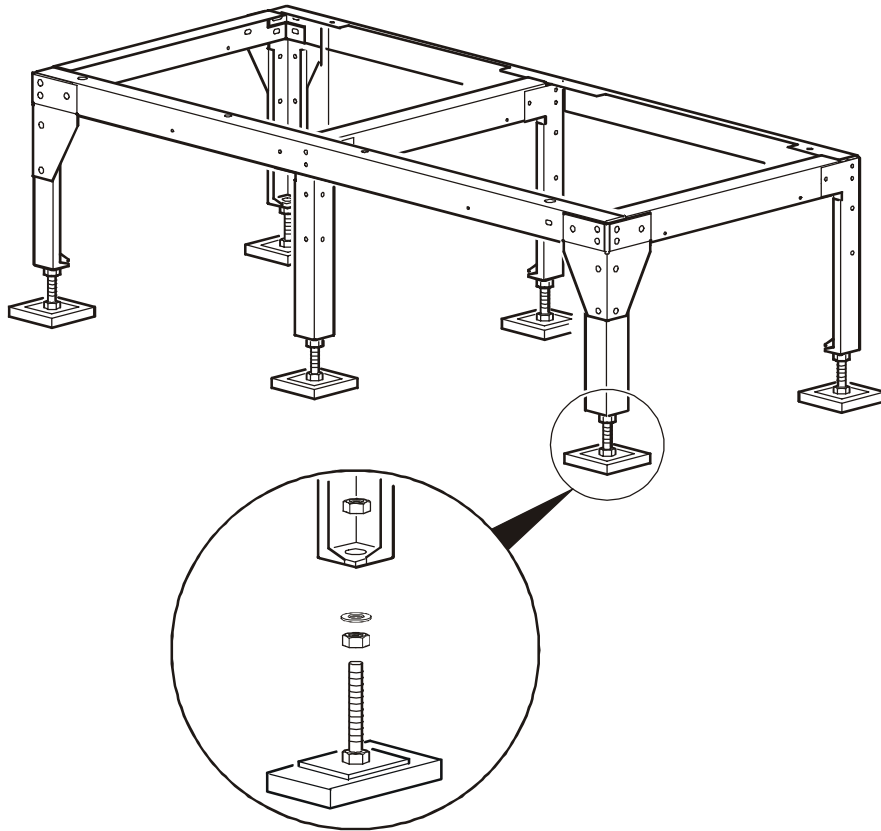
#8-32 flat
washer (16)



#8-32 nylon lock
hex nut (16)

Installing the floorstand pedestal supports

Insert a pedestal support assembly into the bottom of each leg assembly, using one washer and two nuts (provided with each pedestal support assembly).

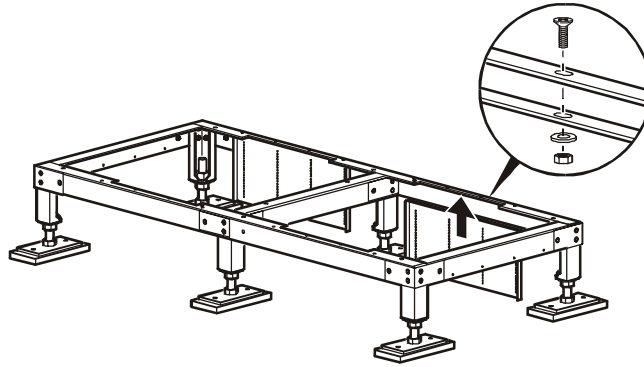


Installing the turning vane

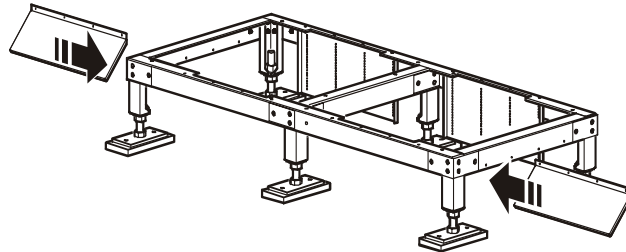
All downflow units require two turning vanes.

For floorstands with a maximum height of 12 inches (305 mm):

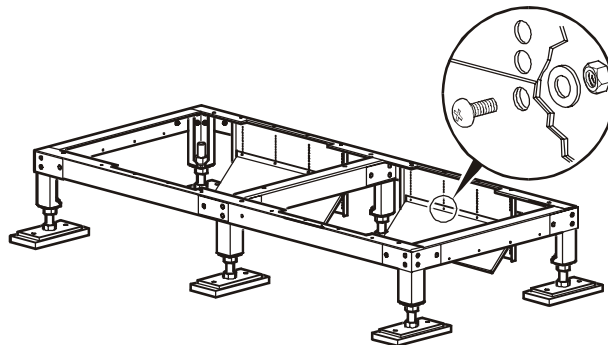
1. Attach two air block panels to the rear of the floorstand, using eight #8-32 × 1/2 inch Phillips flat-head screws and flat washers, and #8-32 nylon lock hex nuts.



2. Slide each turning vane under the floorstand, and position it against an air block.

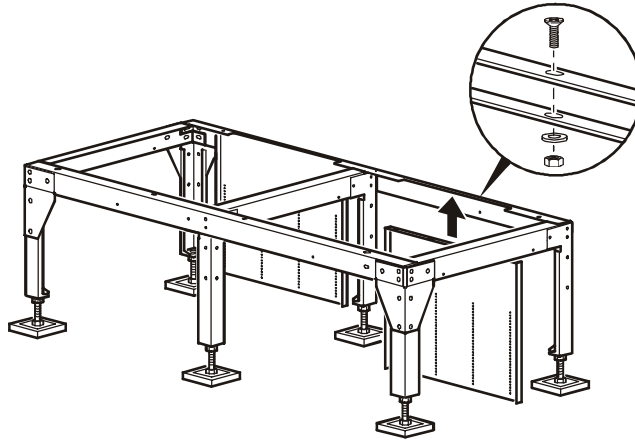


3. With the turning vane resting on the floor, align the four holes of each turning vane with the four holes of each air block, and attach them with four #8-32 × 1/2 inch Phillips pan-head screws and flat washers, and #8-32 nylon lock hex nuts per turning vane.

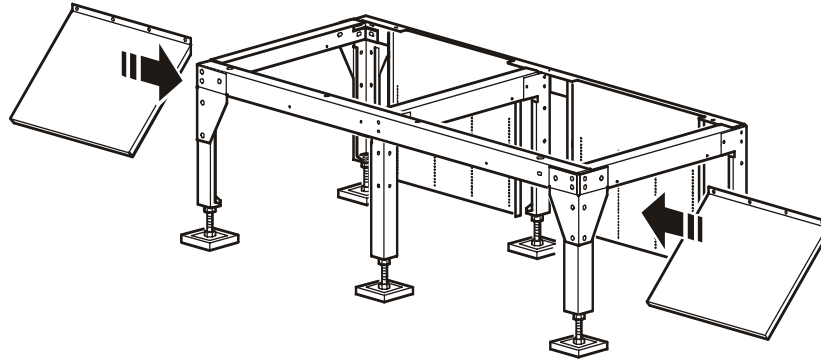


For floorstands with a height of 13 inches (330 mm) or greater:

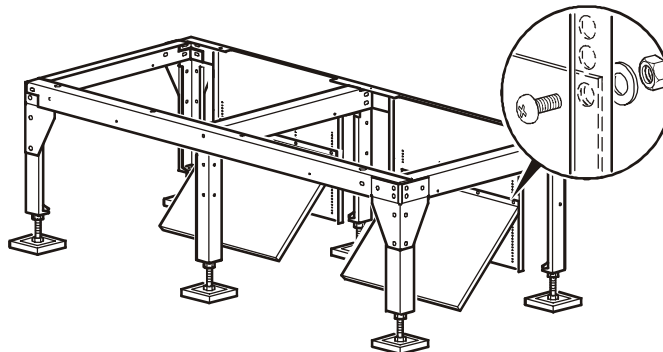
1. Attach two air block panels to the rear of the floorstand, using eight #8-32 × 1/2 inch Phillips flat-head screws and flat washers, and #8-32 nylon lock hex nuts.



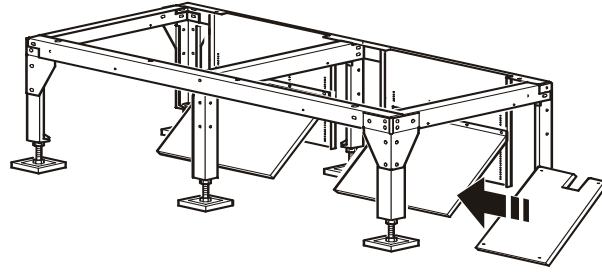
2. Slide each turning vane under the floorstand, and position it against an air block.



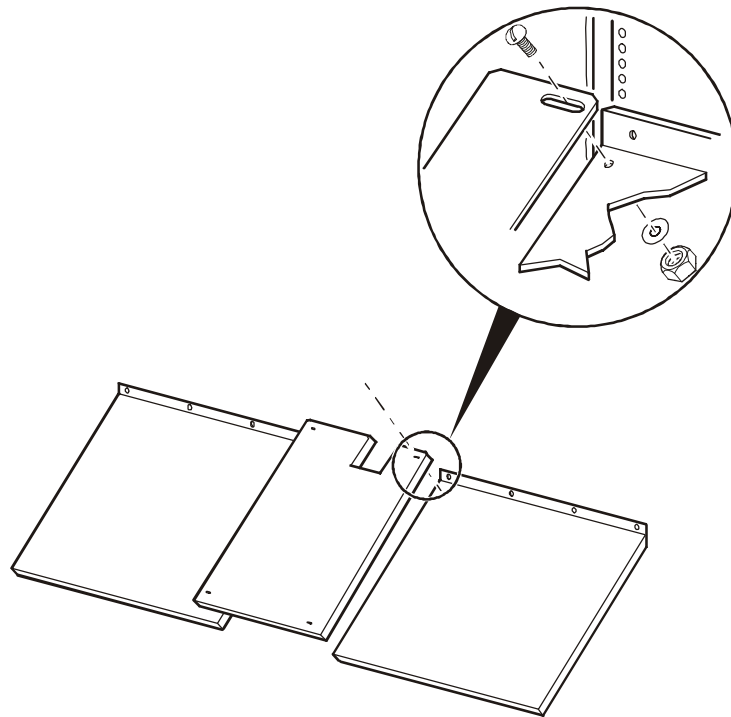
3. With the turning vane resting on the floor, align the four holes of each turning vane with the four holes of each air block, and attach them with four #8-32 × 1/2 inch Phillips pan-head screws and flat washers, and #8-32 nylon lock hex nuts per turning vane.



- Slide the turning vane extension under the floorstand, and center it between the turning vanes.

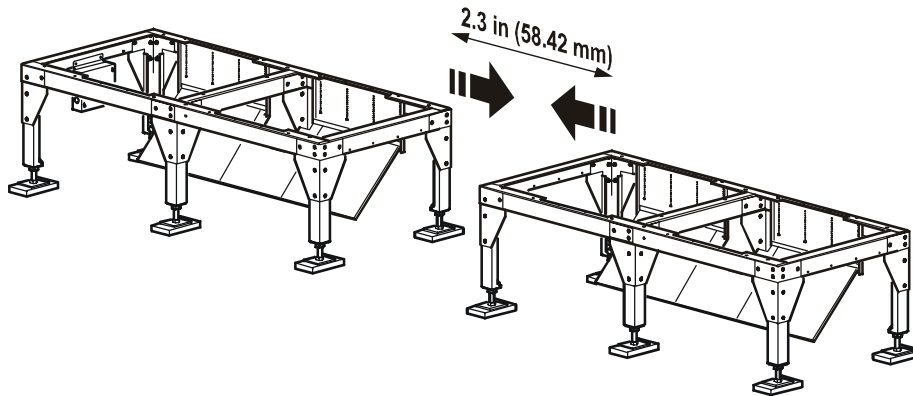


- Align the four holes of the turning vane extension with the four holes of the turning vanes, and attach it with four #8-32 \times 1/2 inch Phillips pan-head screws and flat washers, and #8-32 nylon lock hex nuts.



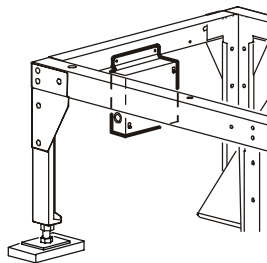
Positioning floorstands

If you will be positioning two stands next to each other, place them 2.3 inches (58.42 mm) apart.



Electrical distribution box (optional)

Install the electrical box to the inner, left angle frame of the main floorstand. Only one electrical box is required per System.



Installation

Installing the floorstand when a raised floor does not yet exist.

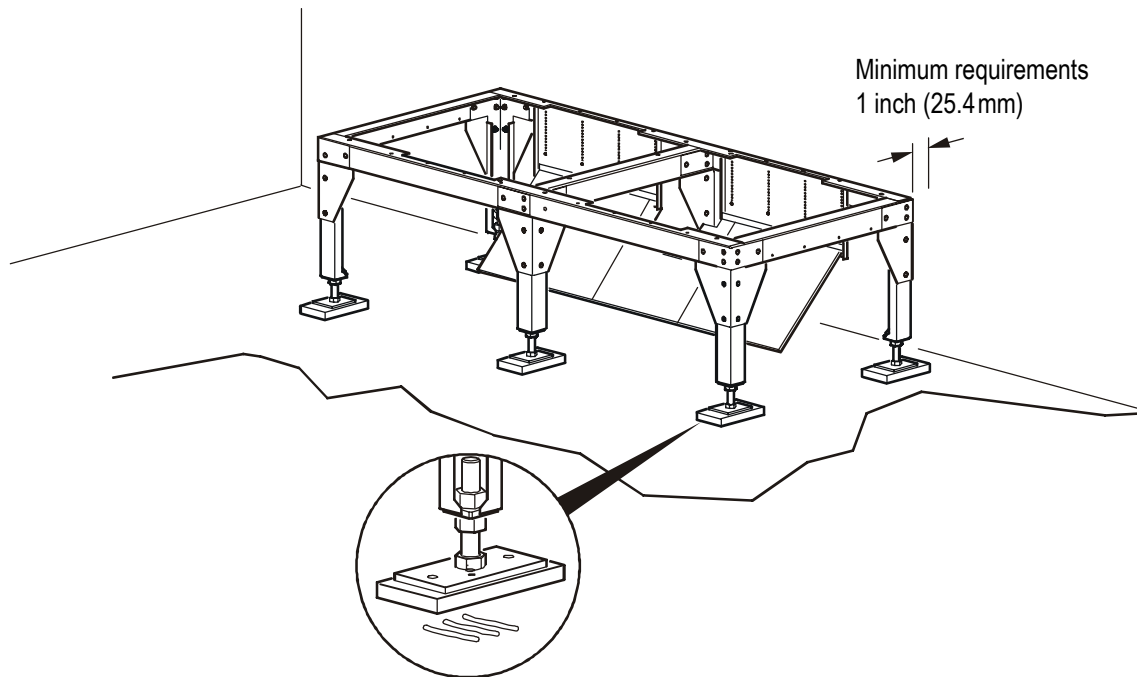
1. Place the floorstand frame in position on its pedestals at least one inch (25.4 mm) from a wall for clearance.
2. Place the floorstand in its final position and apply an adhesive between the pad and the subfloor.
3. When the raised floor has been installed, use the adjustment nuts on the threaded pedestal legs to adjust the height and level the floorstand.



Make sure the top surface of the floorstand is 1/8 inch (3.2 mm) above the surface of the raised floor.

Note

4. Seal the entire upper perimeter of the floorstand with a flexible airtight gasket or sealant to prevent air leaks.
5. If the floorstand is near a wall, ensure that the gap between the floorstand and the wall is sealed with flooring or another type of partition.

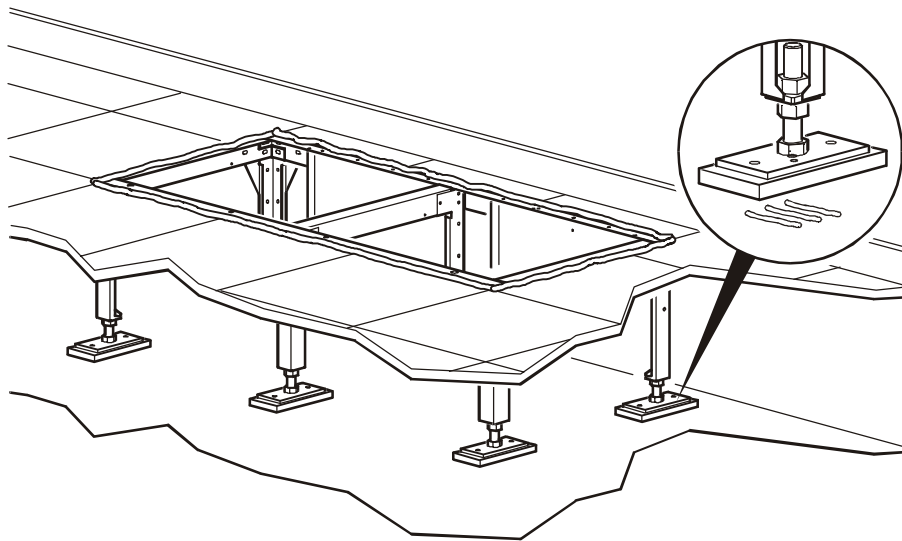


Installing the floorstand with an existing raised floor.



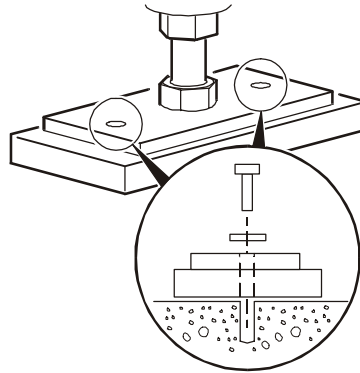
Provide adequate support to any modified raised-floor structures.

1. When using a floorstand with raised floors, remove or cut flooring to accommodate the floorstand.
2. Place the floorstand in the opening and position it on the pedestals.
3. Place the floorstand in its final position, and apply an adhesive between the pad and the subfloor.
4. Using the adjustment nuts on the threaded pedestal legs, level the floorstand and make sure the top of the floorstand is 1/8 inch (3.2 mm) above the surface of the raised floor.
5. To prevent air leakage, seal the entire upper perimeter of the floorstand with a flexible airtight gasket or sealant.
6. If the floorstand is near a wall, ensure that the gap between the floorstand and the wall is sealed with flooring or another type of partition.



Seismic installation (optional)

In some areas, local codes may require a seismic floorstand. To complete a seismic zone 4 installation, drill through the pads, using the two holes provided on the top of each pad. Use hardware required by local codes to secure each pad to the floor.



APC Worldwide Customer Support

Customer support for this or any other APC product is available at no charge in any of the following ways:

- Visit the APC Web site to access documents in the APC Knowledge Base and to submit customer support requests.
 - **www.apc.com** (Corporate Headquarters)
Connect to localized APC Web sites for specific countries, each of which provides customer support information.
 - **www.apc.com/support/**
Global support searching APC Knowledge Base and using e-support.
- Contact an APC Customer Support center by telephone or e-mail.
 - Regional centers:

Direct InfraStruXure Customer Support Line	(1)(877)537-0607 (toll free)
APC headquarters U.S., Canada	(1)(800)800-4272 (toll free)
Latin America	(1)(401)789-5735 (USA)
Europe, Middle East, Africa	(353)(91)702000 (Ireland)
Japan	(0) 3 5434-2021
Australia, New Zealand, South Pacific area	(61) (2) 9955 9366 (Australia)

- Local, country-specific centers: go to **www.apc.com/support/contact** for contact information.

Contact the APC representative or other distributor from whom you purchased your APC product for information on how to obtain local customer support.

To obtain a repair authorization number for a NetworkAIR product, call APC NetworkAIR technical services between 8:00 A.M. and 5:00 P.M. Eastern time, Monday through Friday:

- Phone: (1)(888)695-6500 (USA and Canada only, toll free)
- Fax: (1)(401)788-2691

Entire contents © 2004 American Power Conversion. All rights reserved. Reproduction in whole or in part without permission is prohibited. APC, the APC logo, InfraStruXure, and NetworkAIR are trademarks of American Power Conversion Corporation and may be registered in some jurisdictions. All other trademarks, product names, and corporate names are the property of their respective owners and are used for informational purposes only.

