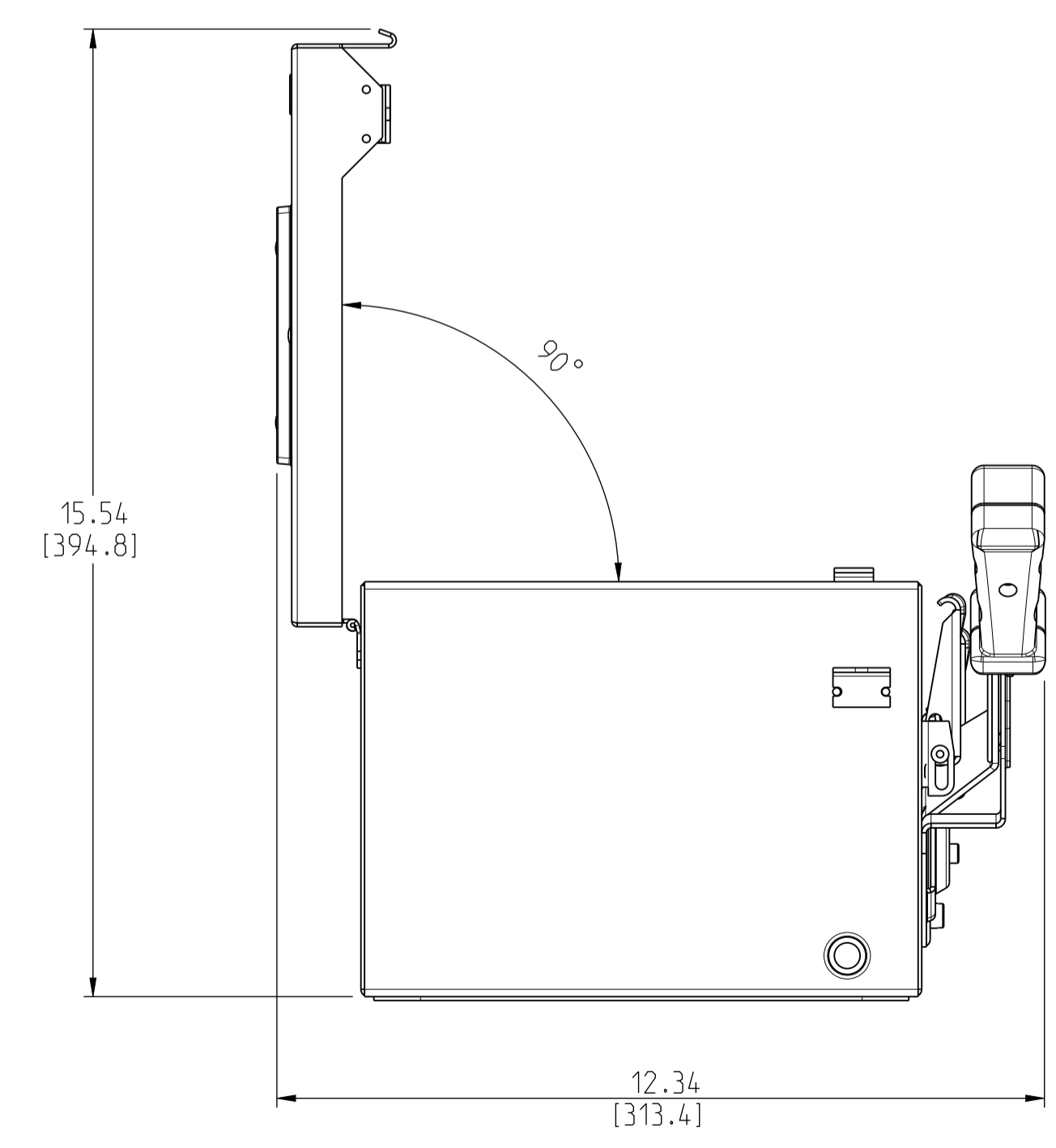
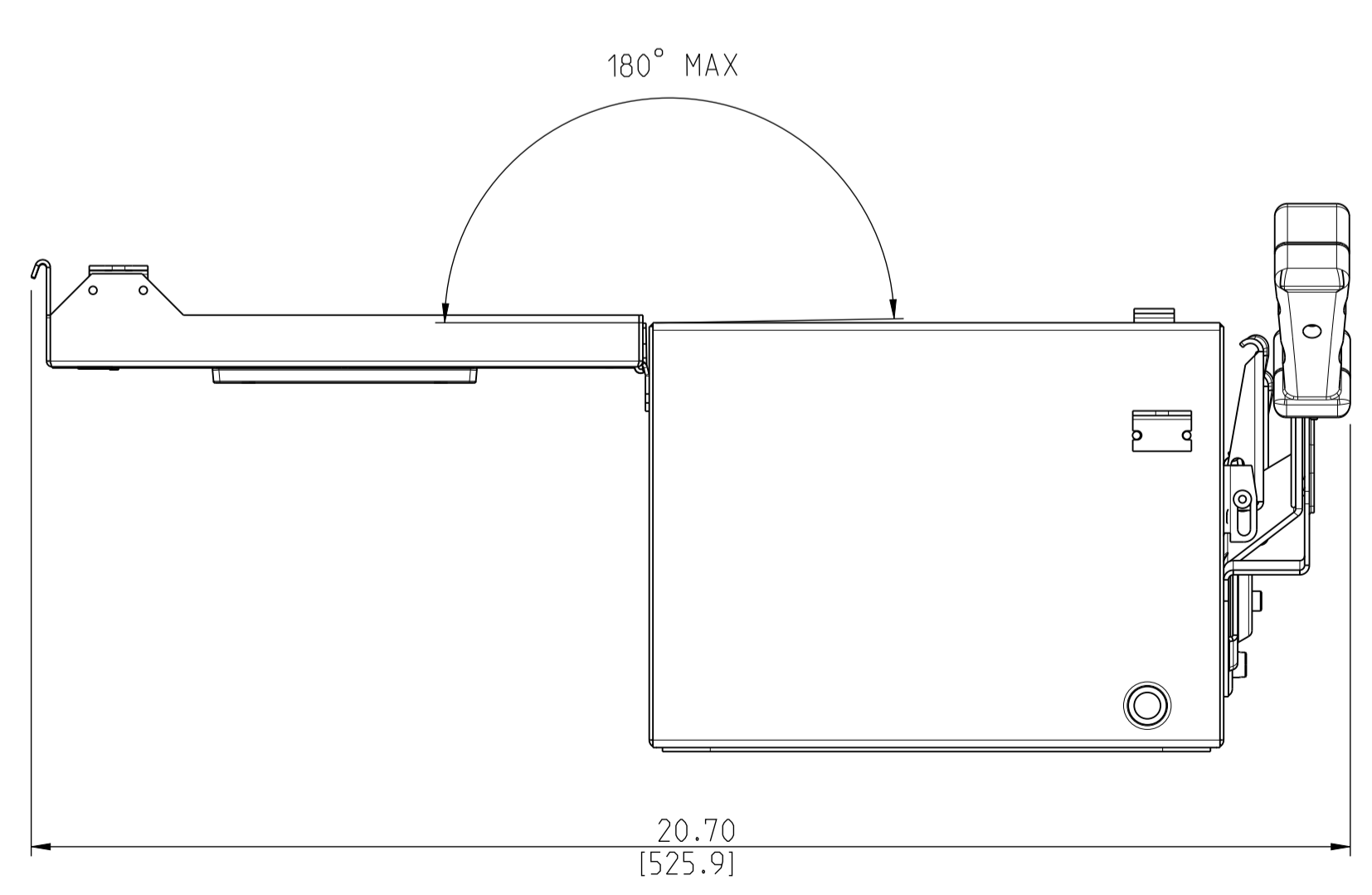
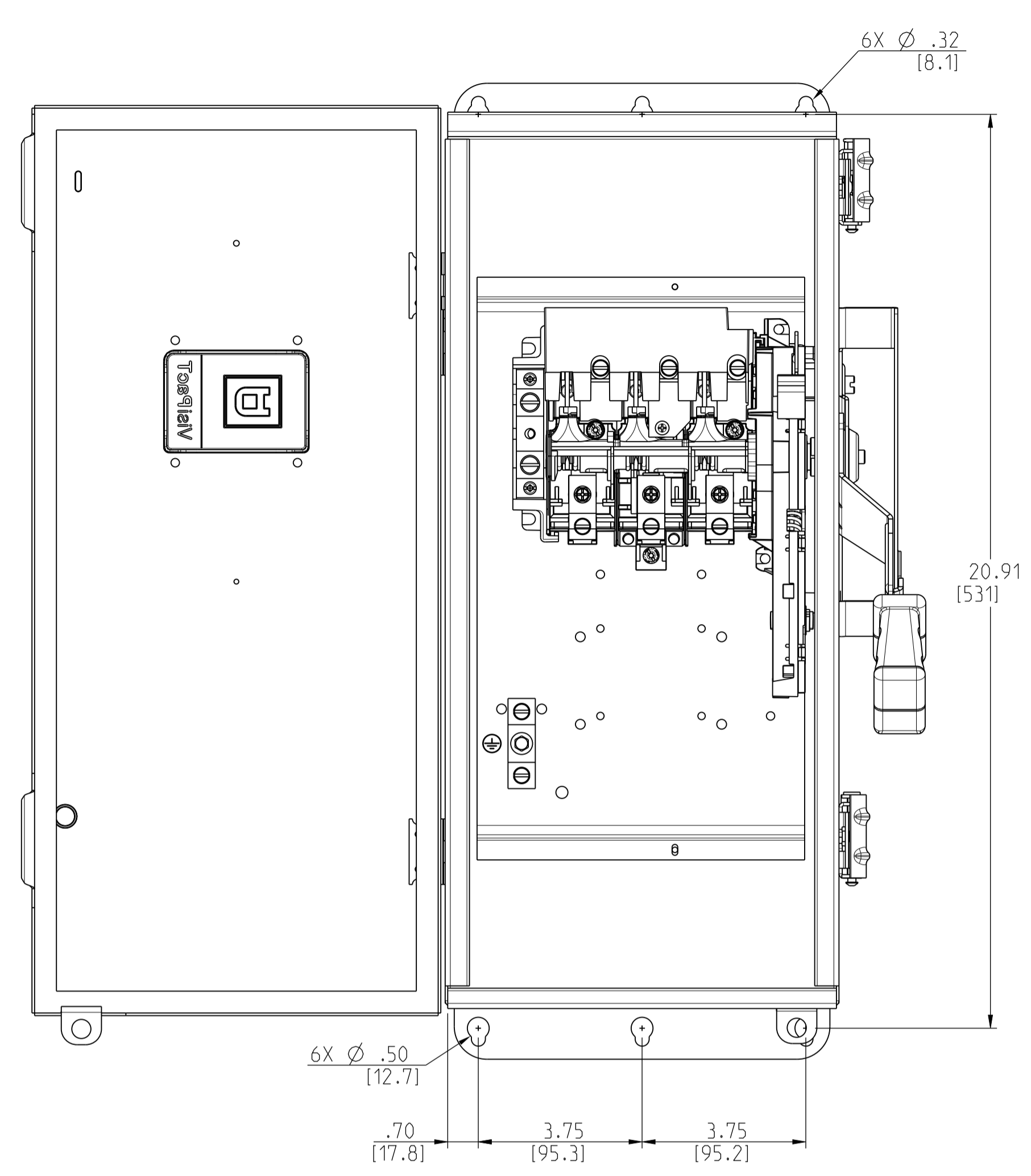


	Scale: NTS	Technical Specification:	Units of measure : in
		Document Description: APVHU363NDSGL_CUSTOMER-DRAWING	
		Document Number: APVHU363NDSGL_CUSTOMER-DRAWING	Doc. Rev. Sheet: 00 1/3
<small>The information is highly confidential and is the exclusive property of Schneider Electric. It is not to be disclosed or reproduced in any way without permission from the manufacturer. This drawing may not be used for any purpose other than that expressly permitted.</small>			State: Provisional

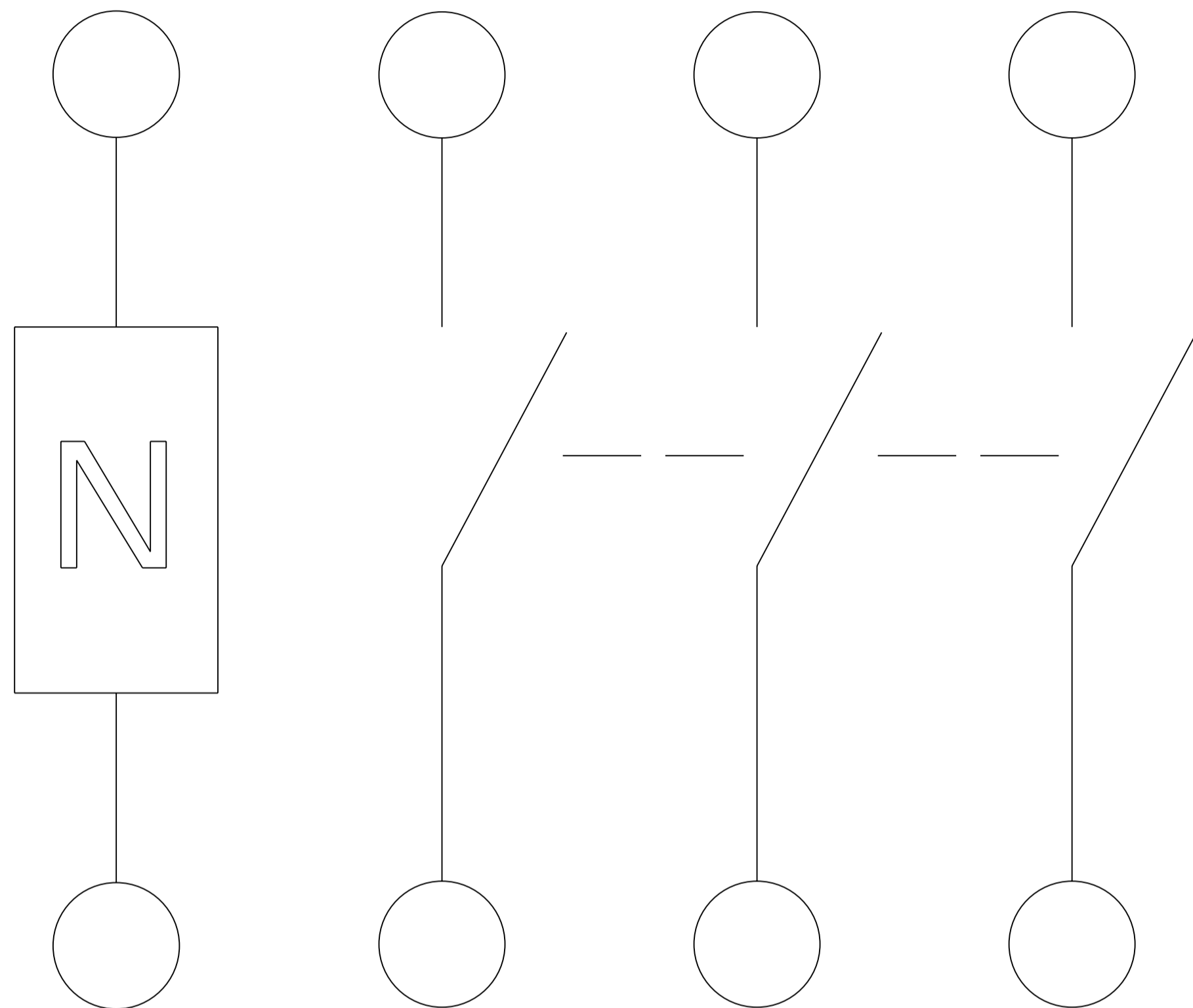


	Scale: NTS	Technical Specification:	Units of measure: in
	Document Description: APVHU363NDSGL_CUSTOMER-DRAWING		
Document Number: APVHU363NDSGL_CUSTOMER-DRAWING		Doc. Rev.:	Sheet:
		00	2/3
<small>The information is highly confidential and is the exclusive property of Schneider Electric. Copyright reserved. This drawing must not be used for any purpose other than the expressly permitted in writing by the owner and must not be disclosed or reproduced in any way without permission from the owner in writing. This drawing must be returned to the owner when the service has ended.</small>			State:

CATALOG NUMBER	VOLTAGE RATING	AMPERAGE RATING
VHU363NDSGL	600 VAC/VDC	100A

LINE SIDE

ACCEPTS: 12-1/0 AWG AL
14-1/0 AWG CU



LOAD SIDE

ACCEPTS: 12-1/0 AWG AL
14-1/0 AWG CU

HORSEPOWER RATINGS			
VOLTS	Ø	STD	MAX
240V~	1	7.5	15
240V~	3	15	30
480V~	1	10	30
480V~	3	25	60
600V~	3	30	75
250V=		20	
600V=		40	50

ACCESORIES		
KIT	VOLTAGE	PART NUMBER
ELECTRICAL INTERLOCK	600V & 240V	EIK1, EIK2
CLASS R FUSE KITS	600V & 240V	RFK10
INTERNAL BARRIER	600V & 240V	SS10
FUSE PULLER	600V & 240V	JFPK0610
SOLID NEUTRAL ASSEMBLY	600V & 240V	SN0610 for Al SN0610C for Cu
EQUIPMENT GROUNDING KIT	600V & 240V	GTK0610 for Al GTK0610C for Cu
TOUCH UP PAINT	600V & 240V	PK49SP
LOCK OFF/ON	600V & 240V	LOGK2
COPPER LUGS	600V & 240V	CL10F
COMPRESSION LUGS	600V & 240V	VCEL02114S1 for Al VCELC02114S1 for Cu

Switch Rating (A)	Fuse or Circuit Breaker Type	240Vac	480Vac	600Vac	250Vdc
With upstream Fuse Protection					
ALL	H, K	10 kA	10 kA	10 kA	Up to 10 kA
	R, T, J, L	200 kA	200 kA	200 kA	
With Upstream Circuit Breaker Protection					
ALL	Any Brand Circuit Breaker	10 kA	10 kA	10 kA	
100A	PowerPact HD	25 kA	18 kA	14 Ka	Up to 10 kA
100A	PowerPact HG	65 kA	35 kA	18 kA	Up to 10 kA
100A	PowerPact HJ	65 kA	35 kA	25 kA	Up to 10 kA
100A	PowerPact HL	65 kA	35 kA	35 kA	Up to 10 kA
100A	PowerPact HR	65 kA	35 kA	35 kA	Up to 10 kA
100A	FA	14 kA	14 kA	14 kA	Up to 10 kA
100A	FH	18 kA	18 kA	18 kA	Up to 10 kA

Switch Rating (A)	Fuse or Circuit Breaker Type	240Vac	480Vac	600Y/347 Vac	250Vdc
With Upstream Circuit Breaker Protection					
100A	PowerPact BD	25 kA	18 kA	14 Ka	Up to 10kA
100A	PowerPact BG	65 kA	35 kA	18 kA	Up to 10kA
100A	PowerPact BJ & BK	65 kA	35 kA	25 kA	Up to 10kA

	Scale: NTS	Technical Specification:	Units of measure: in
	Document Description: APVHU363NDSGL_CUSTOMER-DRAWING		
Document Number: APVHU363NDSGL_CUSTOMER-DRAWING		Doc. Rev. 00	Sheet: 3/3