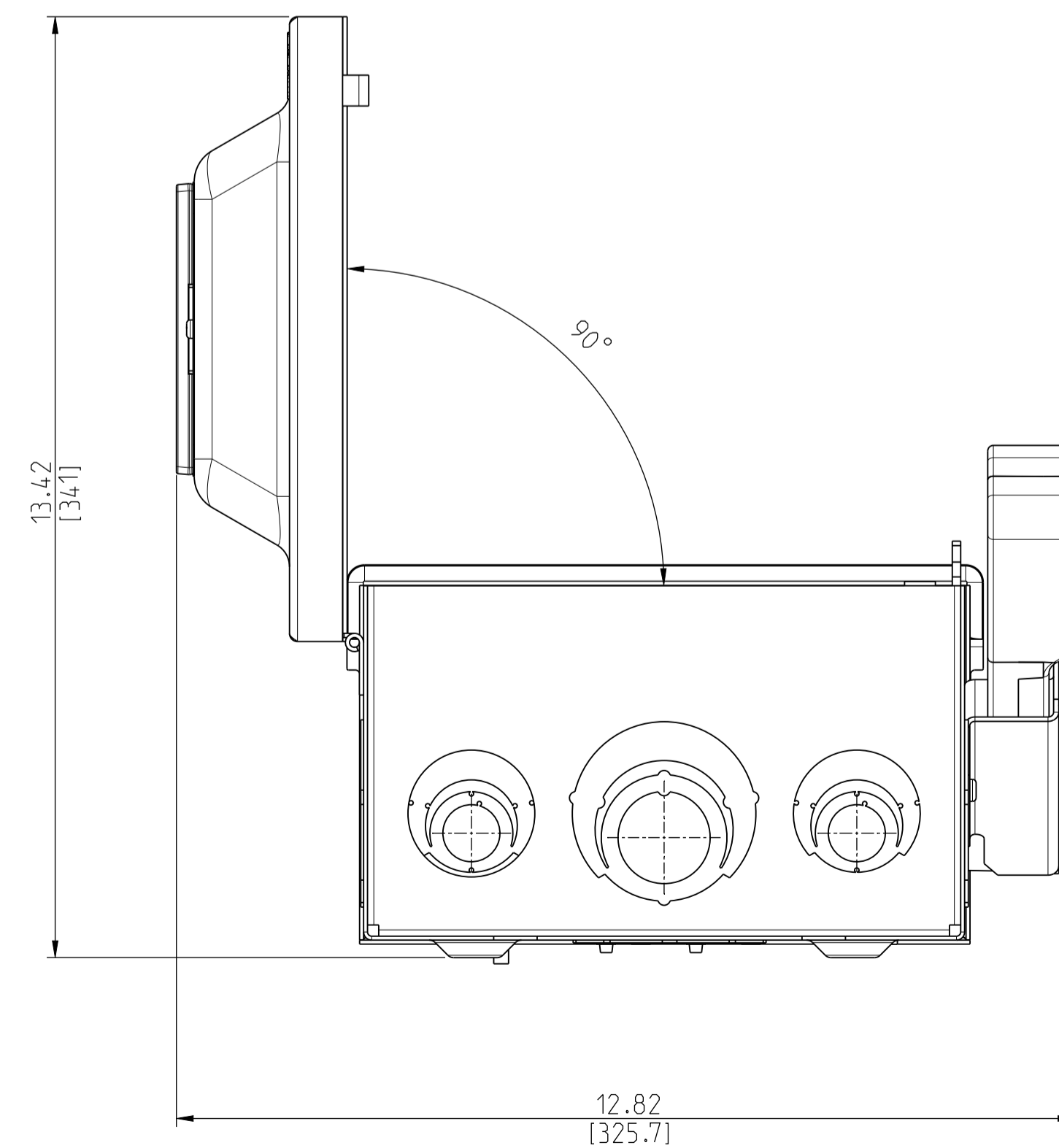
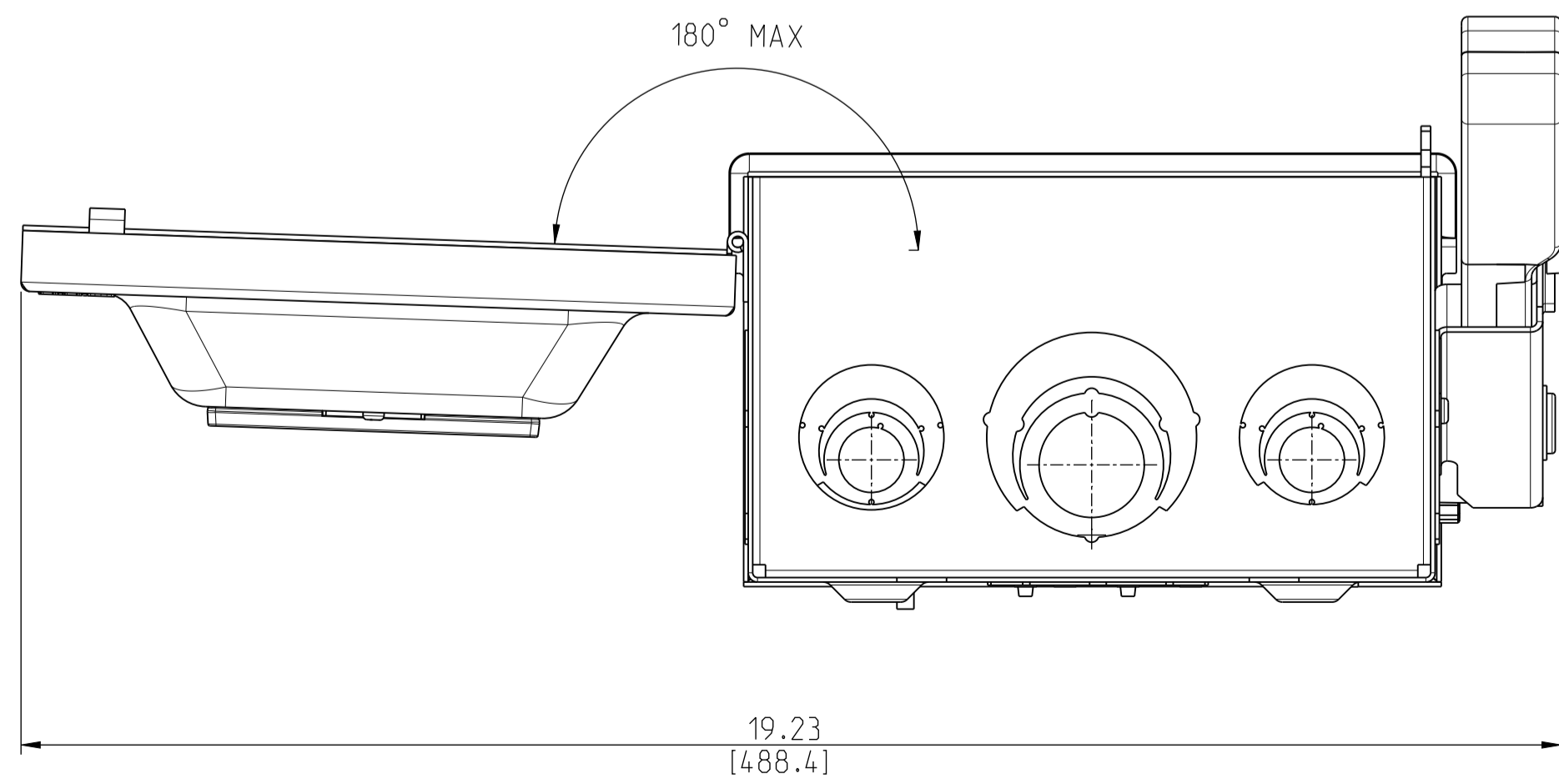
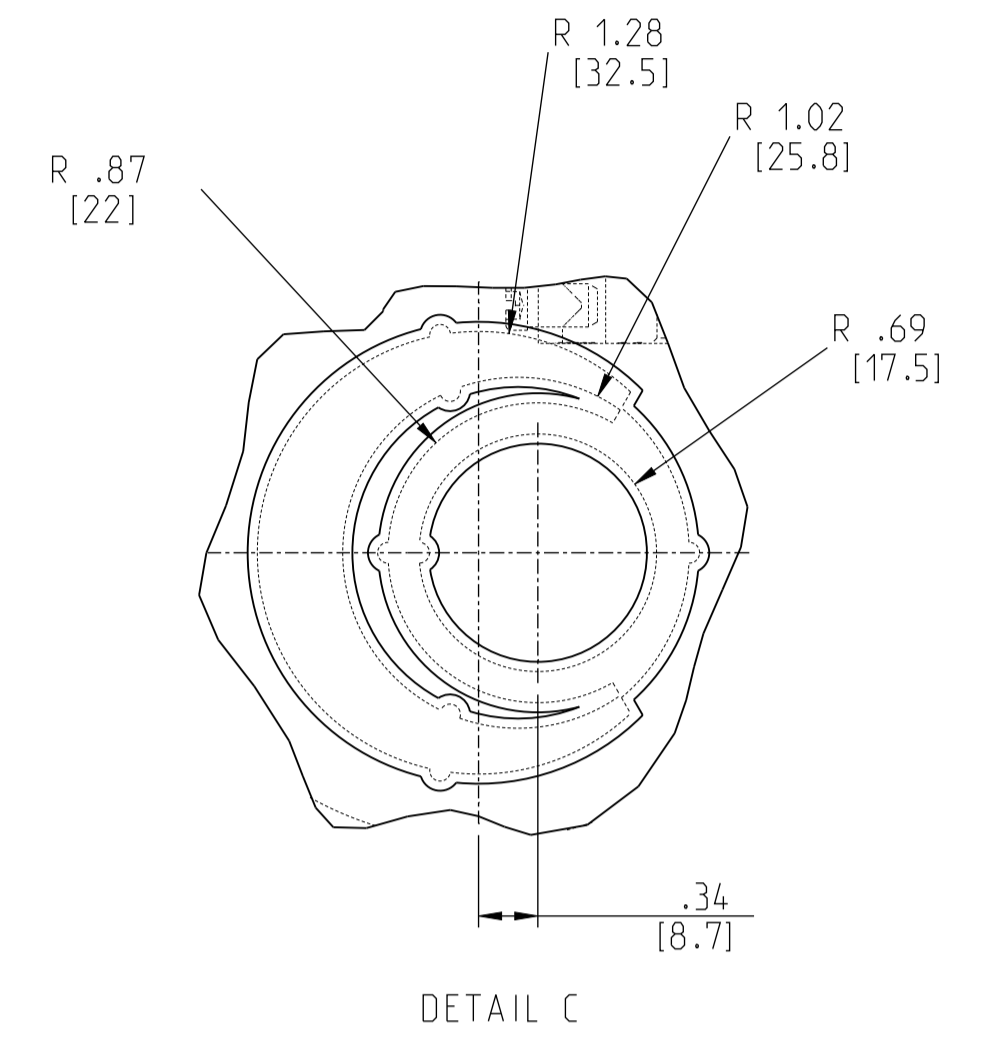
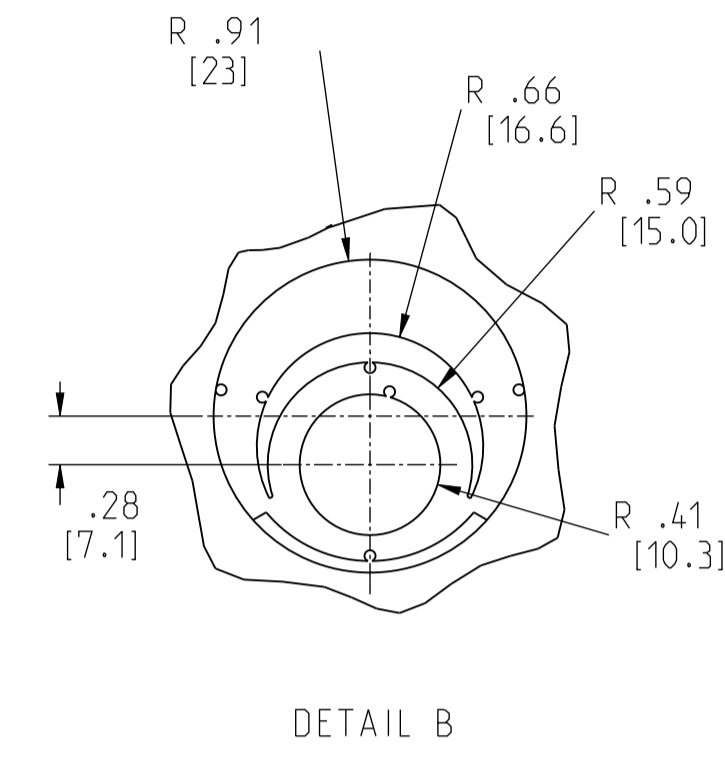
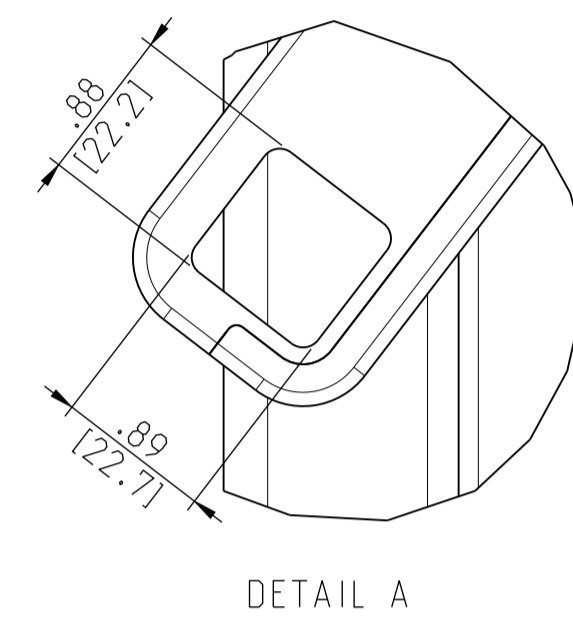
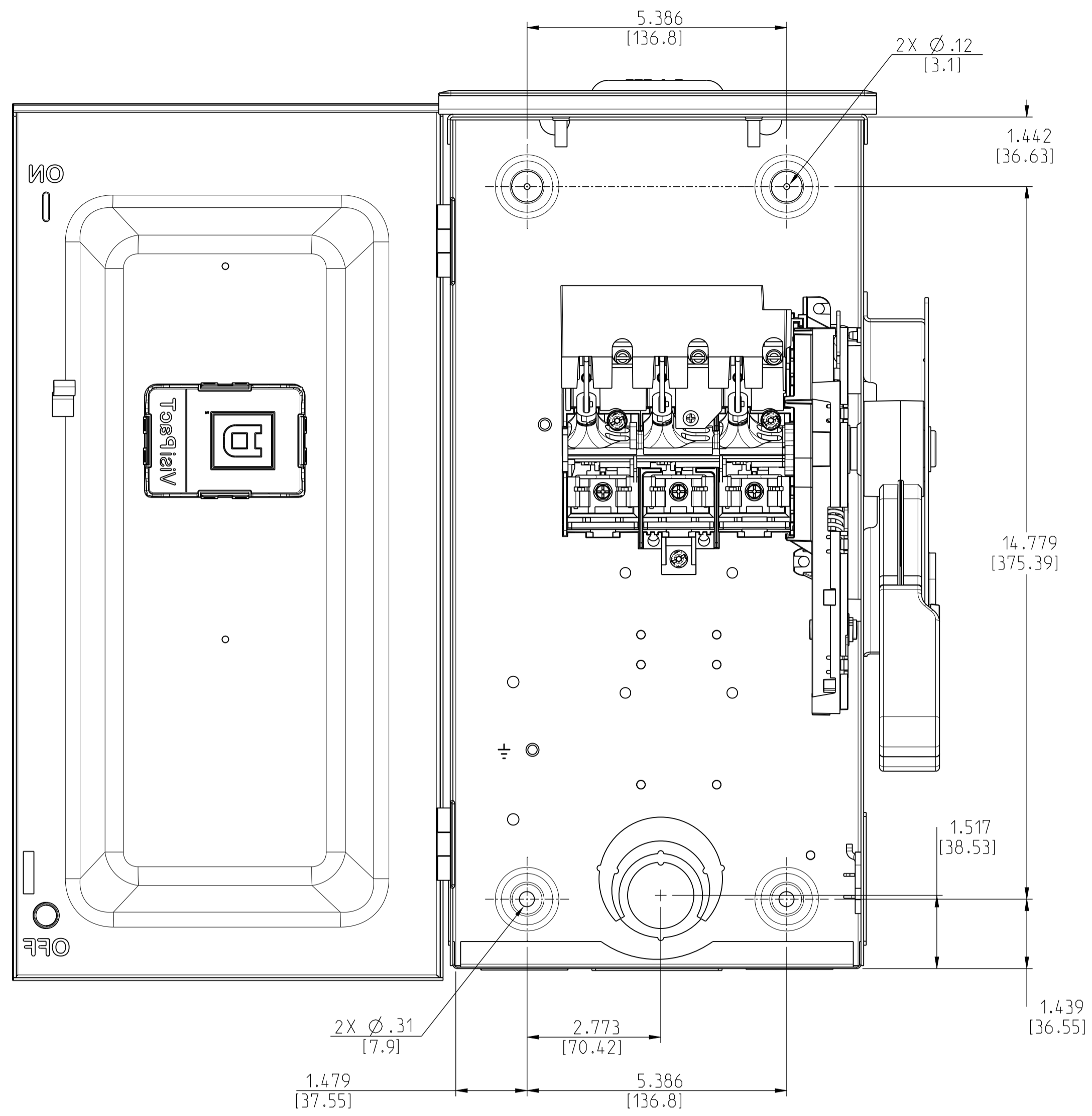


| | | | |
|--|---|--------------------------|----------------------|
| | Scale: NTS | Technical Specification: | Units of measure: in |
| | Document Description: APVHU362RB_CUSTOMER-DRAWING | | |
| Document Number: APVHU362RB_CUSTOMER-DRAWING | | Doc. Rev. 00 | Sheet: 1/3 |
| <small>The information is highly confidential and is the exclusive property of Schneider Electric. Copyright reserved. This drawing must not be used for any purpose other than that expressly mentioned in writing by the owners and may not be disclosed or reproduced in any way without permission from the owners. All rights reserved. This drawing must be returned to the owners when the project has ended.</small> | | | State: |

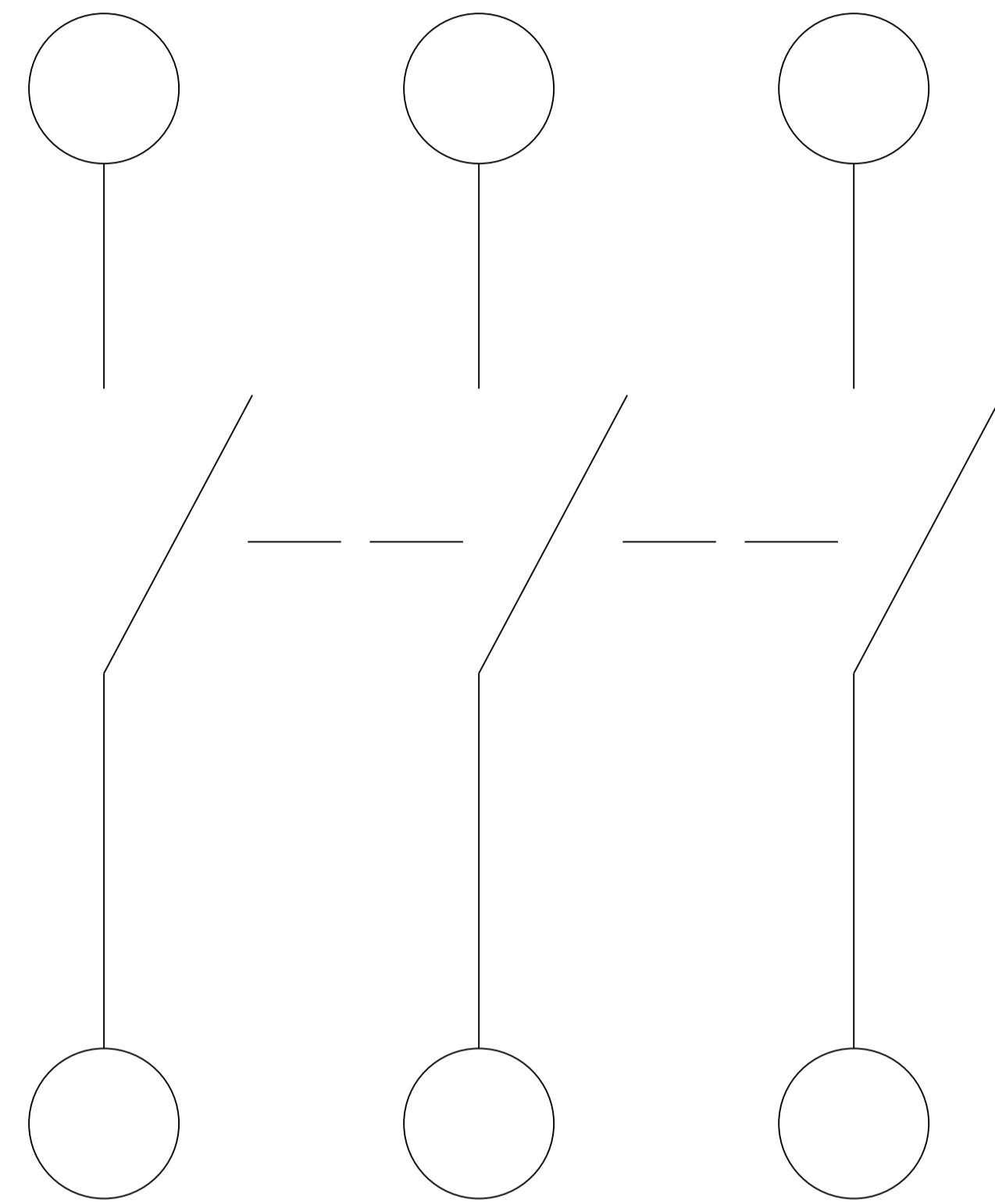


| | | | |
|---|--|--------------------------|-------------------------|
| | Scale: NTS | Technical Specification: | Units of measure: in |
| | Document Description: APVHU362RB_CUSTOMER-DRAWING | | Doc. Rev. Sheet: OO 2/3 |
| Document Number: APVHU362RB_CUSTOMER-DRAWING | | State: | |

The information is highly confidential and is the exclusive property of Schneider Electric. Copyright reserved. This drawing must not be used for any purpose other than that expressly mentioned in writing by the users and must not be disclosed or transmitted in any form without permission from the users in writing. This drawing must be returned to the users when the service has ceased.

LINE SIDE

ACCEPTS: 12-2 AWG AL
14-2 AWG CU



LOAD SIDE

ACCEPTS: 12-2 AWG AL
14-2 AWG CU

| CATALOG NUMBER | VOLTAGE RATING | AMPERAGE RATING |
|----------------|----------------|-----------------|
| VHU362RB | 600 VAC/VDC | 60A |

| HORSEPOWER RATINGS | | | |
|--------------------|----|-----|-----|
| VOLTS | Ø | STD | MAX |
| 120V~ | 1 | -- | 5 |
| 240V~ | 1 | -- | 10 |
| 240V~ | 3 | -- | 15 |
| 240V~ | 3 | -- | 20 |
| 480V~ | 1 | -- | 25 |
| 480V~ | 3 | -- | 30 |
| 480V~ | 3 | -- | 50 |
| 600V~ | 1 | -- | 30 |
| 600V~ | 3 | -- | 60 |
| 125V = | -- | -- | 5 |
| 250V = | -- | -- | 10 |
| 600V = | -- | -- | 30 |

| ACCESORIES | | |
|-------------------------|-------------|-----------------------------------|
| KIT | VOLTAGE | PART NUMBER |
| ELECTRICAL INTERLOCK | 600V | EIK1, EIK2 |
| | 240V | EIK031, EIK032 |
| CLASS R FUSE KITS | 600V | RFK03H, RFK06 |
| | 240V | RFK03L |
| INTERNAL BARRIER | 600V | SS06 |
| | 240V | SS03 |
| FUSE PULLER | 600V | FPK0610 |
| | 240V | FPK03 |
| SOLID NEUTRAL ASSEMBLY | 600V | SN0610 for Al SN0610C for Cu |
| | 240V | SN03 for Al SN03C for Cu |
| EQUIPMENT GROUNDING KIT | 600V | GTK0610 for Al GTK0610C for Cu |
| | 240V | GTK03 for Al GTK03C for Cu |
| TOUCH UP PAINT | 600V & 240V | PK49SP |
| LOCK OFF/ON | 600V | LOGK2 |
| | 240V | LOGK1 |
| COPPER LUGS | 600V & 240V | CL0306F |

| Switch Rating (A) | Fuse or Circuit Breaker Type | 240Vac | 480Vac | 600Vac | 250Vdc |
|--|------------------------------|--------|--------|--------|-------------|
| With upstream Fuse Protection | | | | | |
| ALL | H, K | 10 kA | 10 kA | 10 kA | Up to 10 kA |
| | R, T, J, L | 200 kA | 200 kA | 200 kA | |
| With Upstream Circuit Breaker Protection | | | | | |
| ALL | Any Brand Circuit Breaker | 10 kA | 10 kA | 10 kA | |
| 60A | PowerPact HD | 25 kA | 18 kA | 14 Ka | Up to 10 kA |
| 60A | PowerPact HG | 65 kA | 35 kA | 18 kA | Up to 10 kA |
| 60A | PowerPact HJ | 65 kA | 35 kA | 25 kA | Up to 10 kA |
| 60A | PowerPact HL | 65 kA | 35 kA | 35 kA | Up to 10 kA |
| 60A | PowerPact HR | 65 kA | 35 kA | 35 kA | Up to 10 kA |
| 60A | FA | 14 kA | 14 kA | 14 kA | Up to 10 kA |
| 60A | FH | 18 kA | 18 kA | 18 kA | Up to 10 kA |

| Switch Rating (A) | Fuse or Circuit Breaker Type | 240Vac | 480Vac | 600Y/347 Vac | 250Vdc |
|--|------------------------------|--------|--------|--------------|------------|
| With Upstream Circuit Breaker Protection | | | | | |
| 60A | PowerPact BD | 25 kA | 18 kA | 14 Ka | Up to 10kA |
| 60A | PowerPact BG | 65 kA | 35 kA | 18 kA | Up to 10kA |
| 60A | PowerPact BJ & BK | 65 kA | 35 kA | 25 kA | Up to 10kA |

| | | | |
|--|---|--------------------------|----------------------|
| | Scale: NTS | Technical Specification: | Units of measure: in |
| | Document Description: APVHU362RB_CUSTOMER-DRAWING | | |
| Document Number: APVHU362RB_CUSTOMER-DRAWING | | Doc. Rev. 00 | Sheet: 3/3 |

The information is highly confidential and is the exclusive property of Schneider Electric. It is not to be distributed or made available to any third party without the express written consent of Schneider Electric. This drawing must be used for all projects where this equipment is specified. In writing for the equipment and must not be distributed or made available to any third party without the express written consent of Schneider Electric. This drawing must be returned to the supplier when the project has ended.