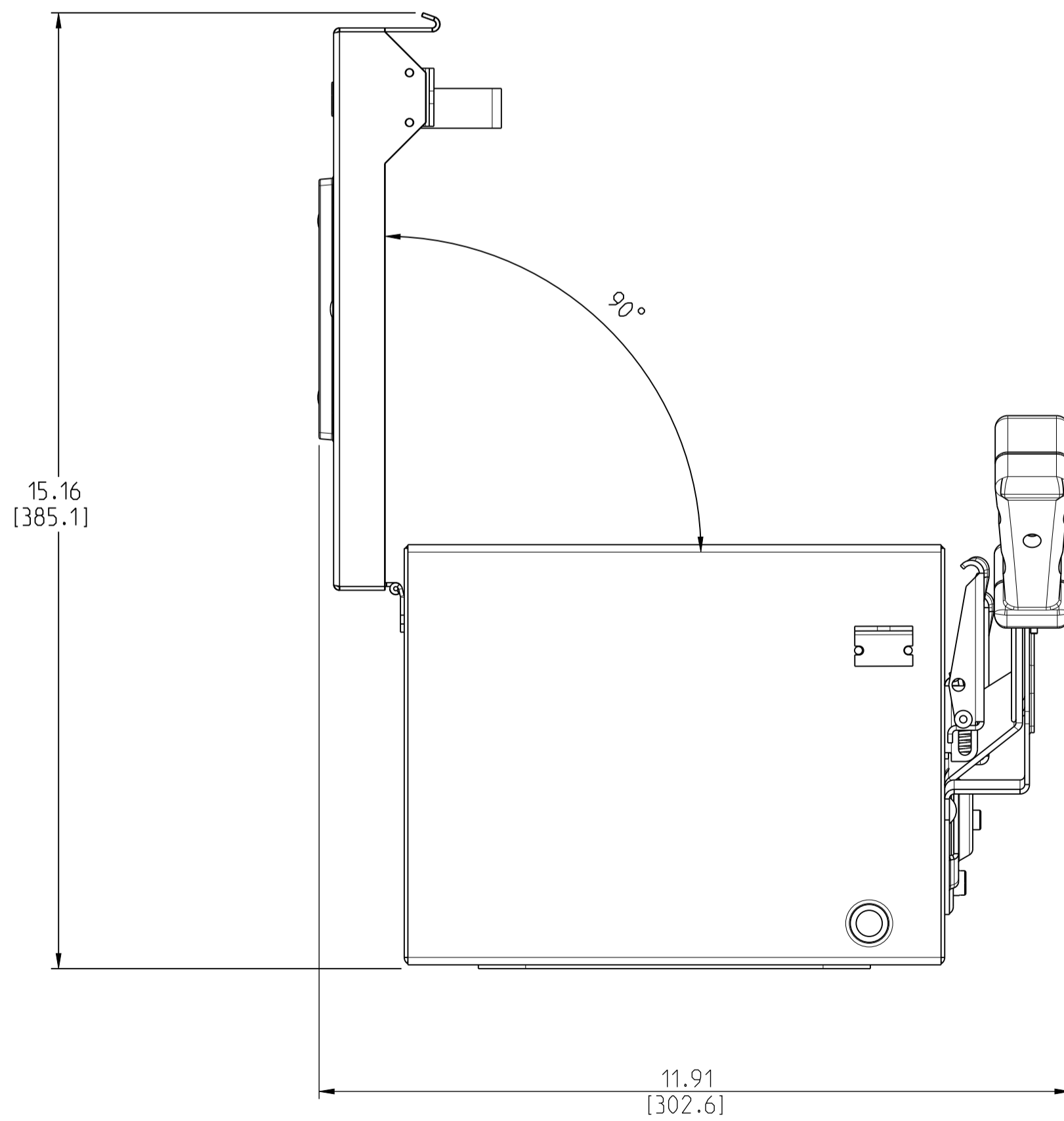
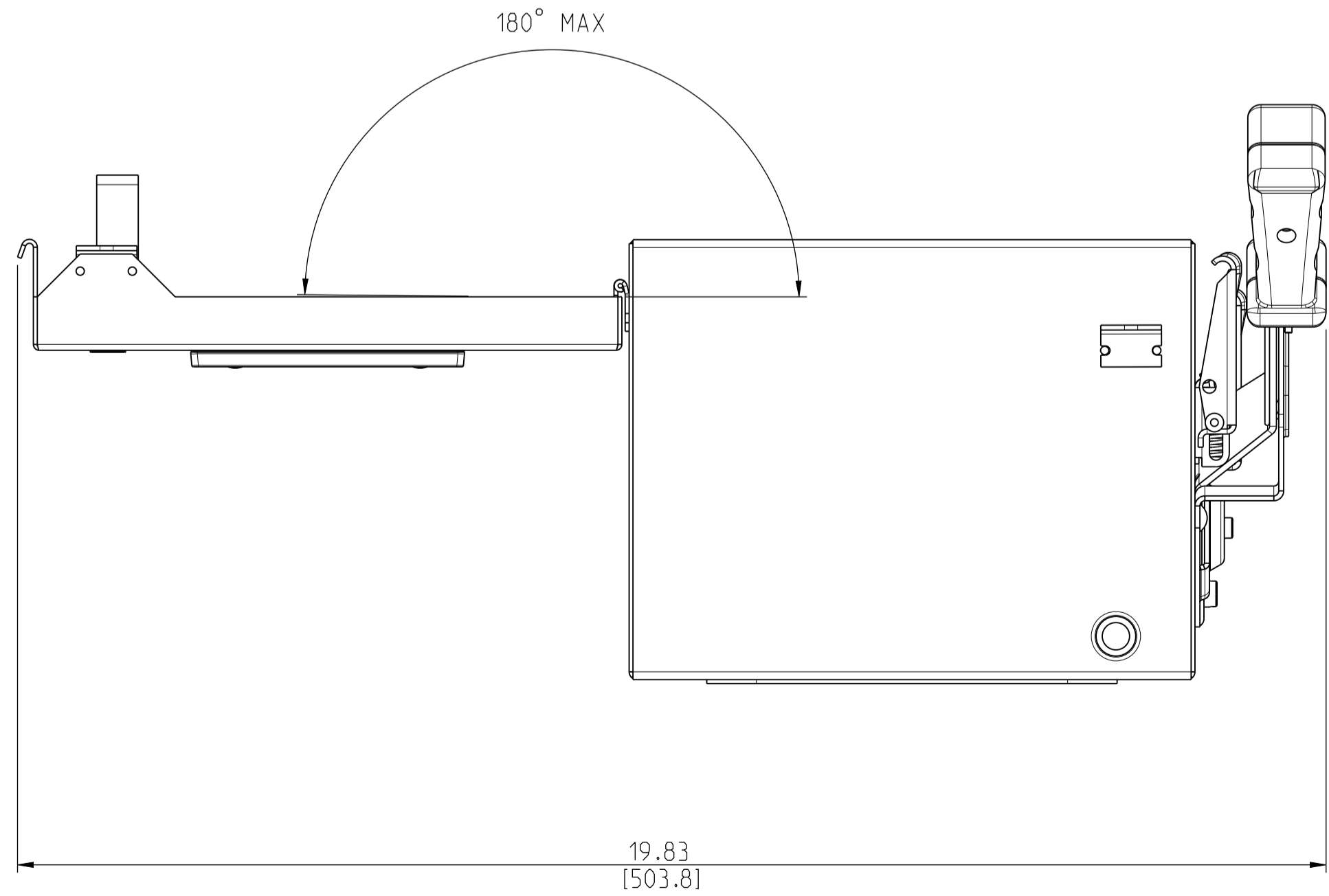
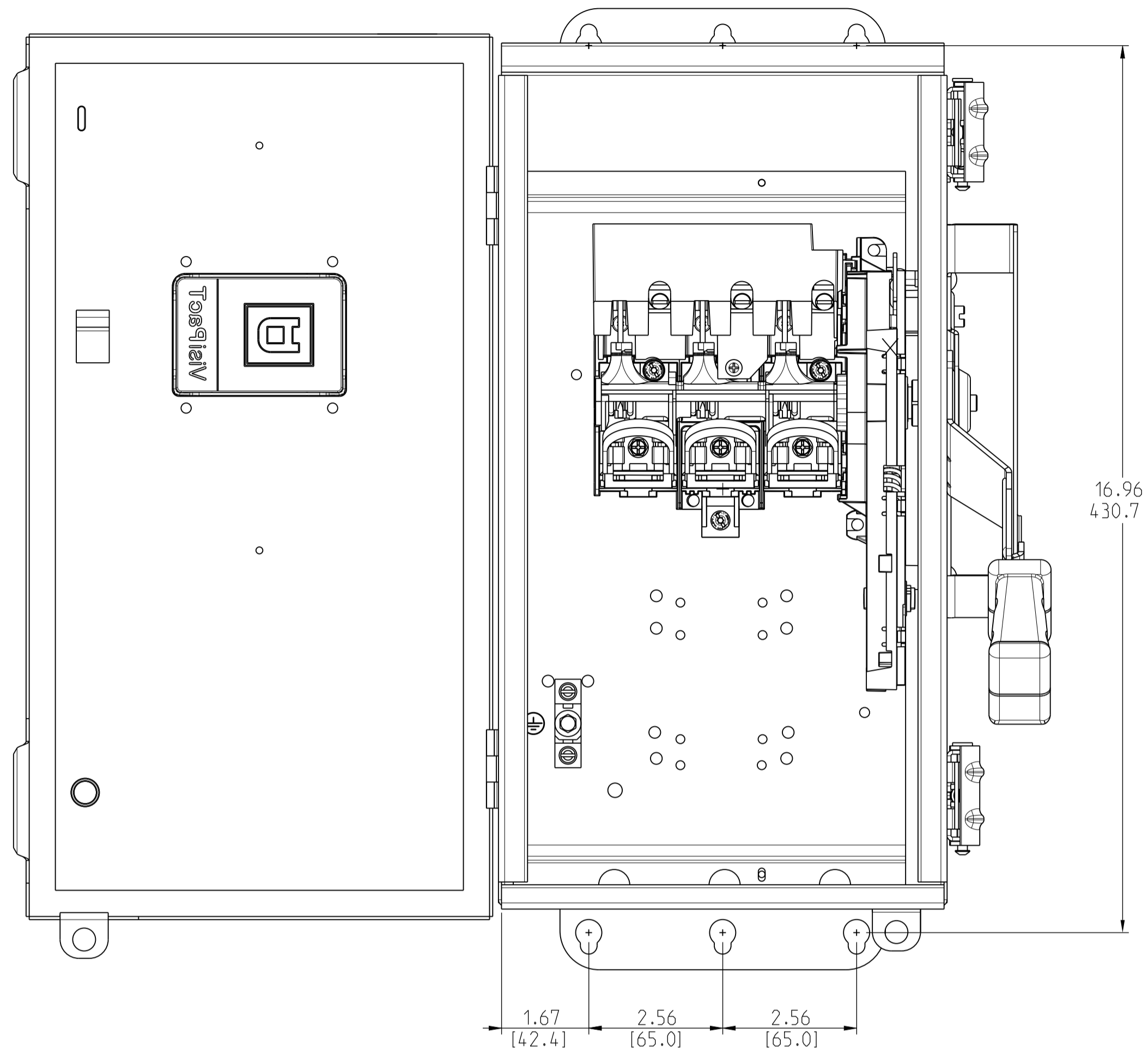


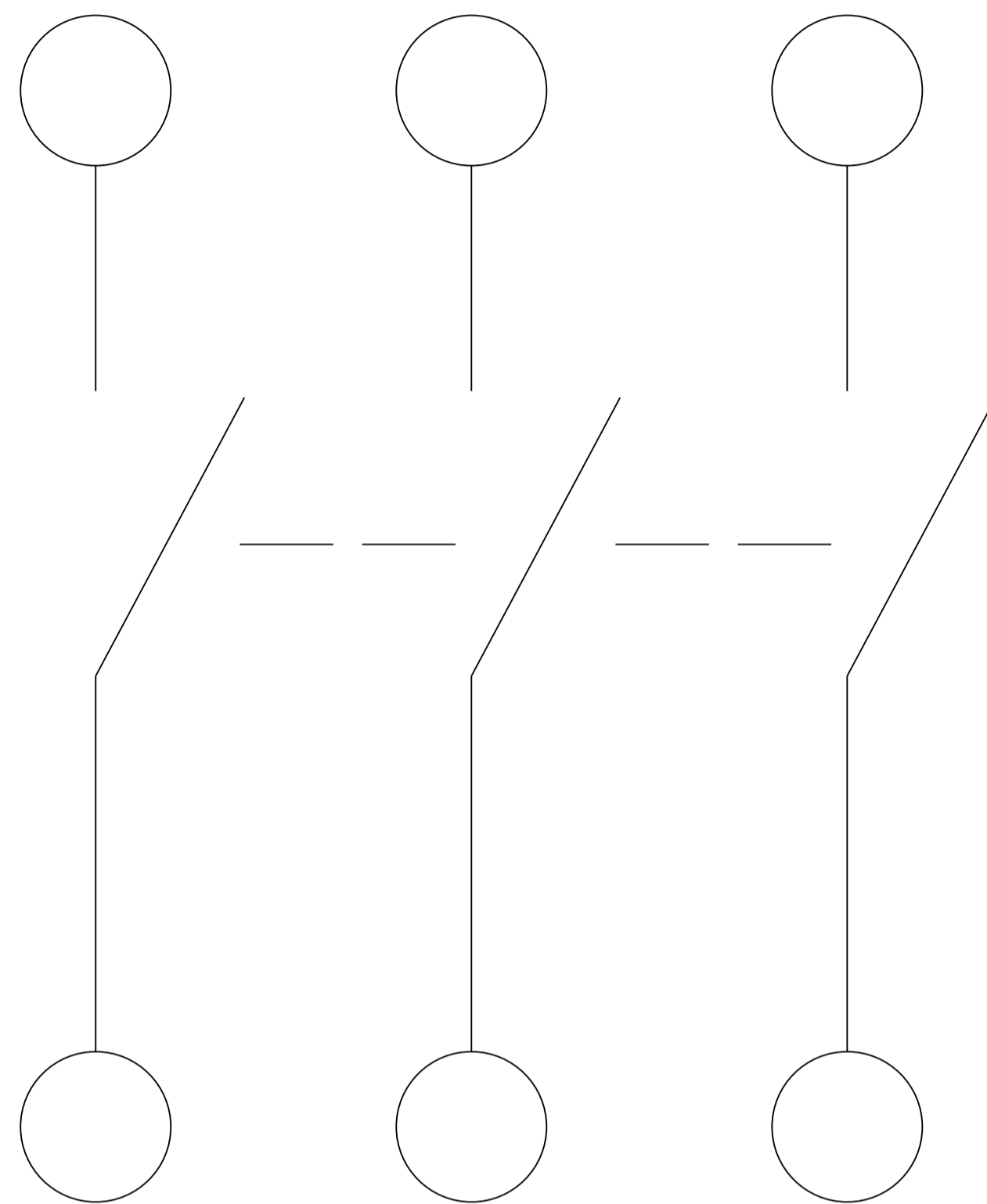
	Scale: NTS	Technical Specification:	Units of measure : in
	Document Description: APVHU362DSGL_CUSTOMER-DRAWING		
	Document Number: APVHU362DSGL_CUSTOMER-DRAWING	Doc. Rev. 00	Sheet: 1/3
<small>The information is highly confidential and is the exclusive property of Schneider Electric. It is not to be disclosed or reproduced in any way without permission from the Schneider Electric Group. This drawing must not be modified or altered in any way without the express written consent of Schneider Electric.</small>			State: <b>Provisional</b>



	Scale: NTS	Technical Specification:	Units of measure: in
	Document Description: <b>APVHU362DSGL_CUSTOMER-DRAWING</b>		
Document Number: <b>APVHU362DSGL_CUSTOMER-DRAWING</b>		Doc. Rev.:	Sheet:
		<b>00</b>	<b>2/3</b>
<small>The information is highly confidential and is the exclusive property of Schneider Electric. Copyright reserved. This drawing must not be used for any purpose other than that expressly permitted in writing by the client and shall not be disclosed or reproduced in any way without permission from the client in writing. This drawing shall be returned to the client when the contract has ended.</small>			State:

LINE SIDE

ACCEPTS: 12-2 AWG AL  
14-2 AWG CU



LOAD SIDE

ACCEPTS: 12-2 AWG AL  
14-2 AWG CU

CATALOG NUMBER	VOLTAGE RATING	AMPERAGE RATING
VHU362DSGL	600 VAC/VDC	60A

HORSEPOWER RATINGS			
VOLTS	Ø	STD	MAX
120V~	1	--	5
240V~	1	--	10
240V~	3	--	15
240V~	3	--	20
480V~	1	--	25
480V~	3	--	30
480V~	3	--	50
600V~	1	--	30
600V~	3	--	60
125V ~	--	--	5
250V ~	--	--	10
600V ~	--	--	30

ACCESORIES		
KIT	VOLTAGE	PART NUMBER
ELECTRICAL INTERLOCK	600V	EIK1, EIK2
	240V	EIK031, EIK032
CLASS R FUSE KITS	600V	RFK03H, RFK06
	240V	RFK03L
INTERNAL BARRIER	600V	SS06
	240V	SS03
FUSE PULLER	600V	FPK0610
	240V	FPK03
SOLID NEUTRAL ASSEMBLY	600V	SN0610 for Al SN0610C for Cu
	240V	SN03 for Al SN03C for Cu
EQUIPMENT GROUNDING KIT	600V	GTK0610 for Al GTK0610C for Cu
	240V	GTK03 for Al GTK03C for Cu
TOUCH UP PAINT	600V & 240V	PK49SP
LOCK OFF/ON	600V	LOGK2
	240V	LOGK1
COPPER LUGS	600V & 240V	CL0306F

Switch Rating (A)	Fuse or Circuit Breaker Type	240Vac	480Vac	600Vac	250Vdc
With upstream Fuse Protection					
ALL	H, K	10 kA	10 kA	10 kA	Up to 10 kA
	R, T, J, L	200 kA	200 kA	200 kA	
With Upstream Circuit Breaker Protection					
ALL	Any Brand Circuit Breaker	10 kA	10 kA	10 kA	
60A	PowerPact HD	25 kA	18 kA	14 kA	Up to 10 kA
60A	PowerPact HG	65 kA	35 kA	18 kA	Up to 10 kA
60A	PowerPact HJ	65 kA	35 kA	25 kA	Up to 10 kA
60A	PowerPact HL	65 kA	35 kA	35 kA	Up to 10 kA
60A	PowerPact HR	65 kA	35 kA	35 kA	Up to 10 kA
60A	FA	14 kA	14 kA	14 kA	Up to 10 kA
60A	FH	18 kA	18 kA	18 kA	Up to 10 kA

Switch Rating (A)	Fuse or Circuit Breaker Type	240Vac	480Vac	600Y/347 Vac	250Vdc
With Upstream Circuit Breaker Protection					
60A	PowerPact BD	25 kA	18 kA	14 kA	Up to 10kA
60A	PowerPact BG	65 kA	35 kA	18 kA	Up to 10kA
60A	PowerPact BJ & BK	65 kA	35 kA	25 kA	Up to 10kA

	Scale: NTS	Technical Specification:	Units of measure: in
	Document Description: APVHU362DSGL_CUSTOMER-DRAWING		
Document Number: APVHU362DSGL_CUSTOMER-DRAWING		Doc. Rev.:	Sheet:
		00	3/3

The information is highly confidential and is the exclusive property of Schneider Electric. It is written by the experts and may not be disclosed or reproduced in any way without permission from the experts in writing. This drawing must be retained in the system when the product has changed.