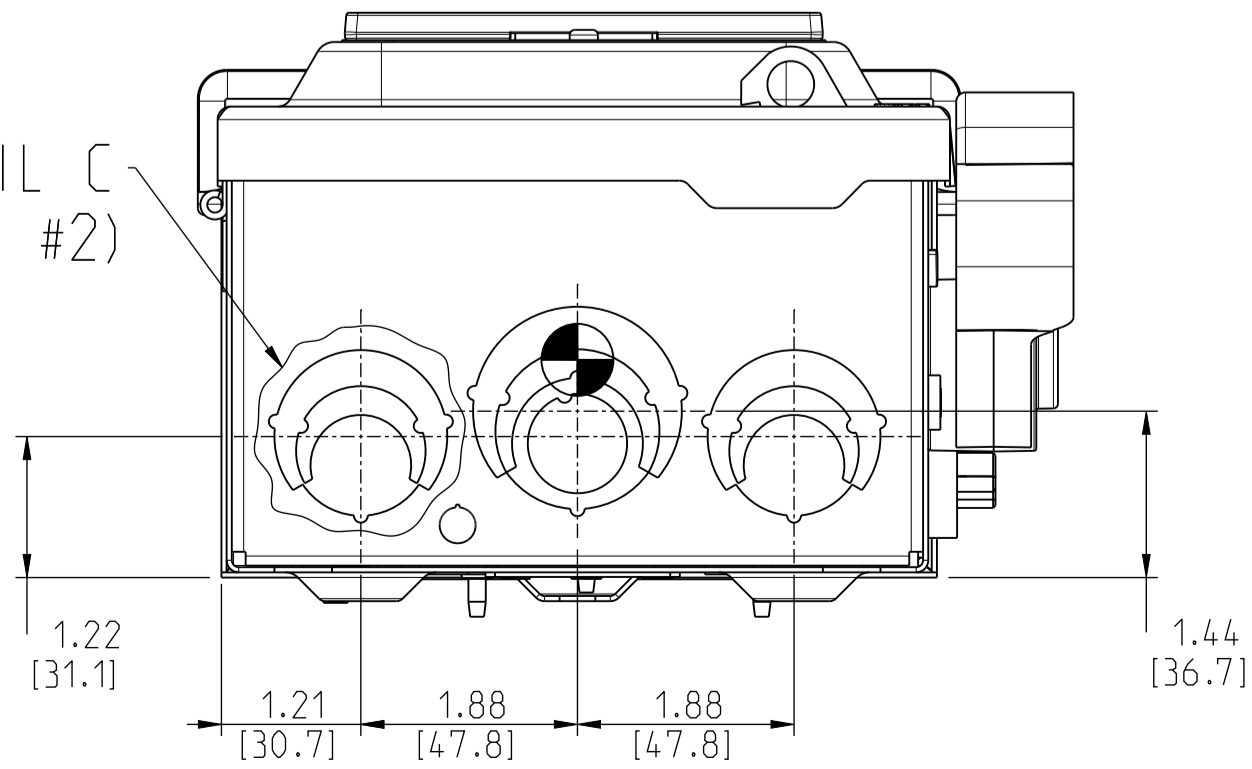


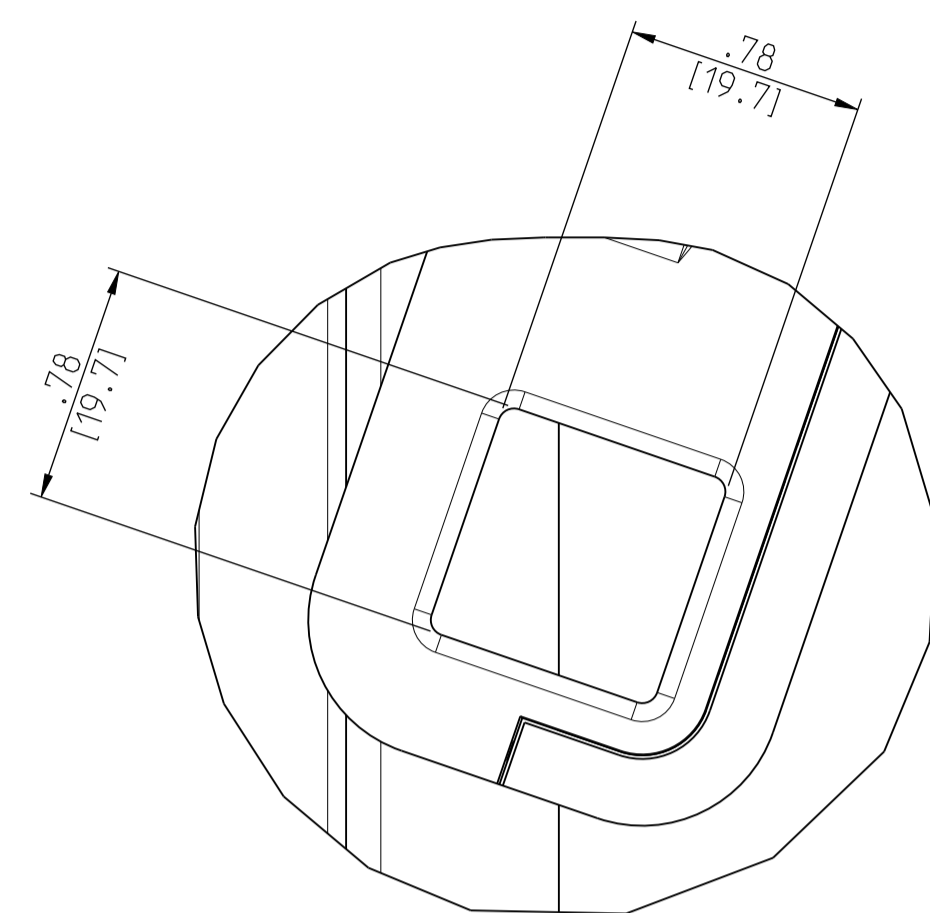
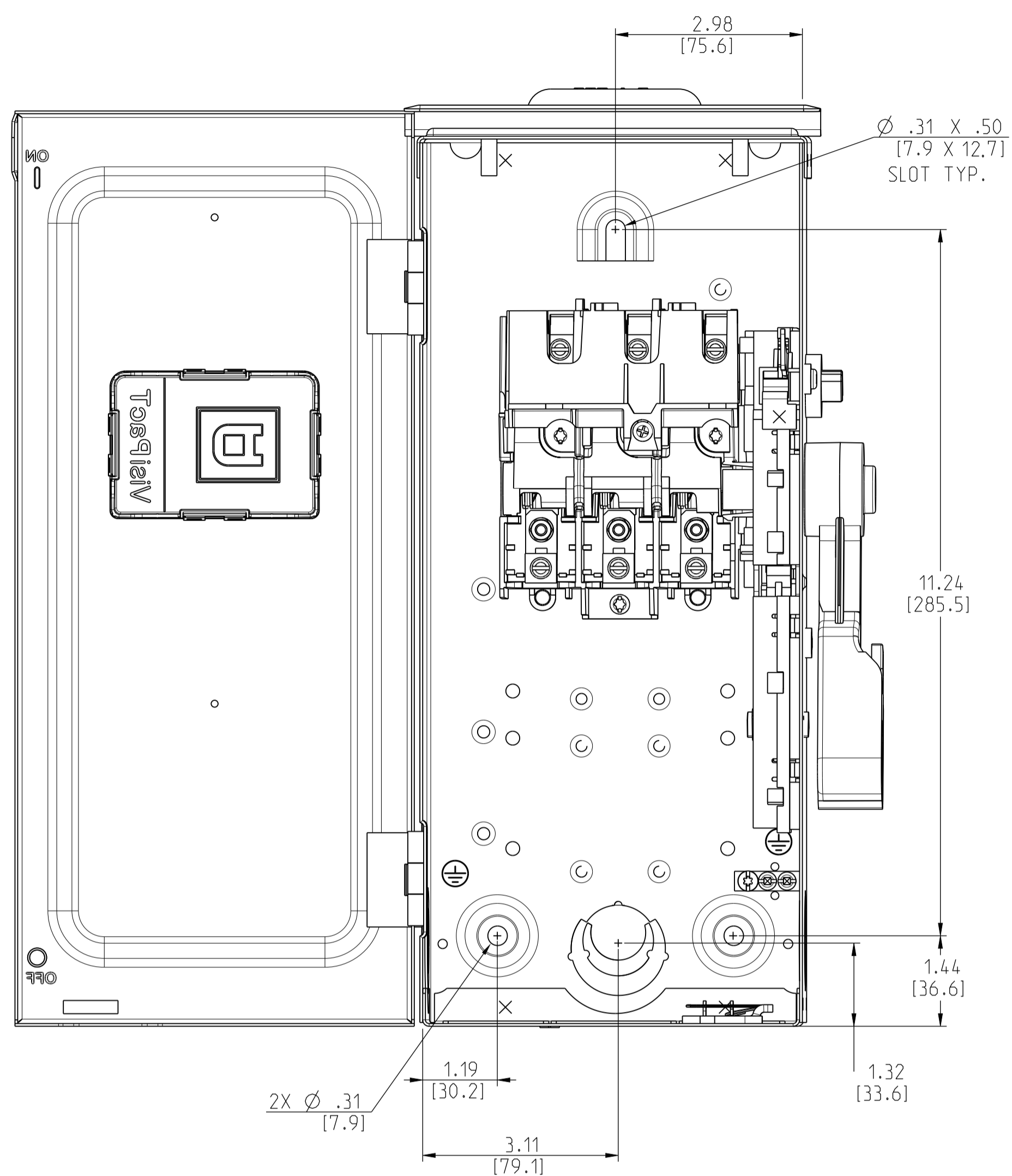
DETAIL A
(SEE PAGE #2)

DETAIL B
(SEE PAGE #2)

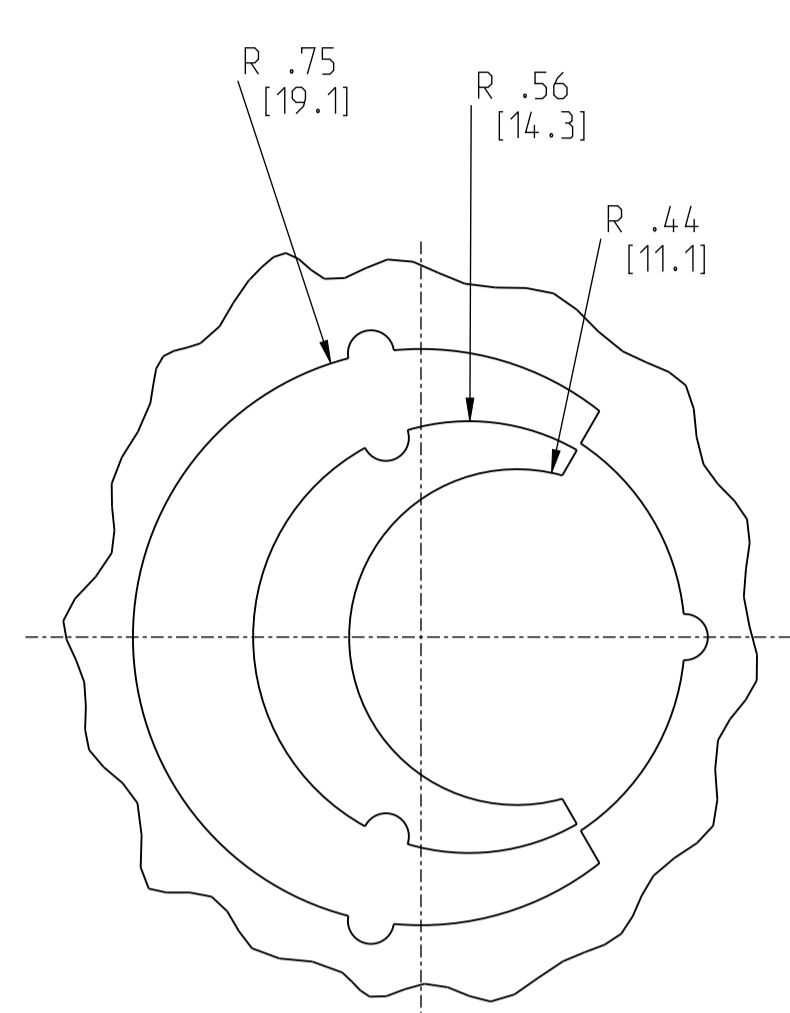
DETAIL C
(SEE PAGE #2)



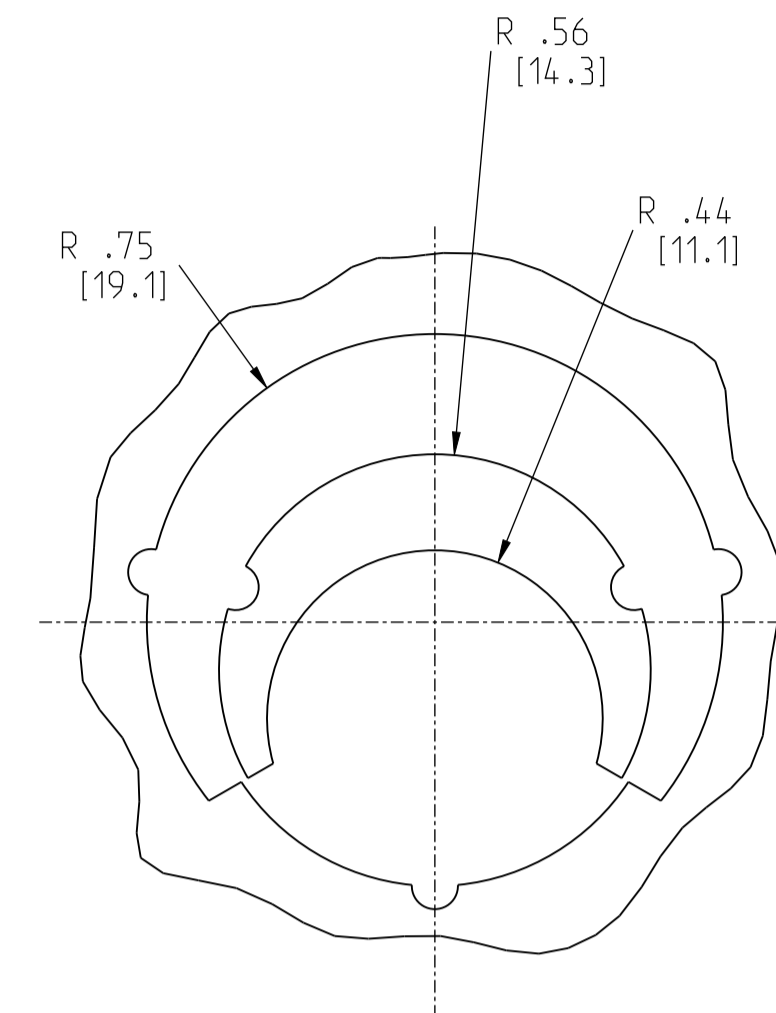
	Scale: NTS	Technical Specification:	Units of measure: in
	Document Description: APVHU361RBGL_CUSTOMER-DRAWING		
	Document Number: APVHU361RBGL_CUSTOMER-DRAWING	Doc. Rev. 00	Sheet: 1/3
<small>The information is highly confidential and is the exclusive property of Schneider Electric. It is not to be disclosed or reproduced in any way without permission from the Schneider Electric Group. This drawing may not be used for any purpose other than that expressly permitted in writing by the Schneider Electric Group. This drawing may not be modified or altered in any way without the express written consent of Schneider Electric.</small>			State: Provisional



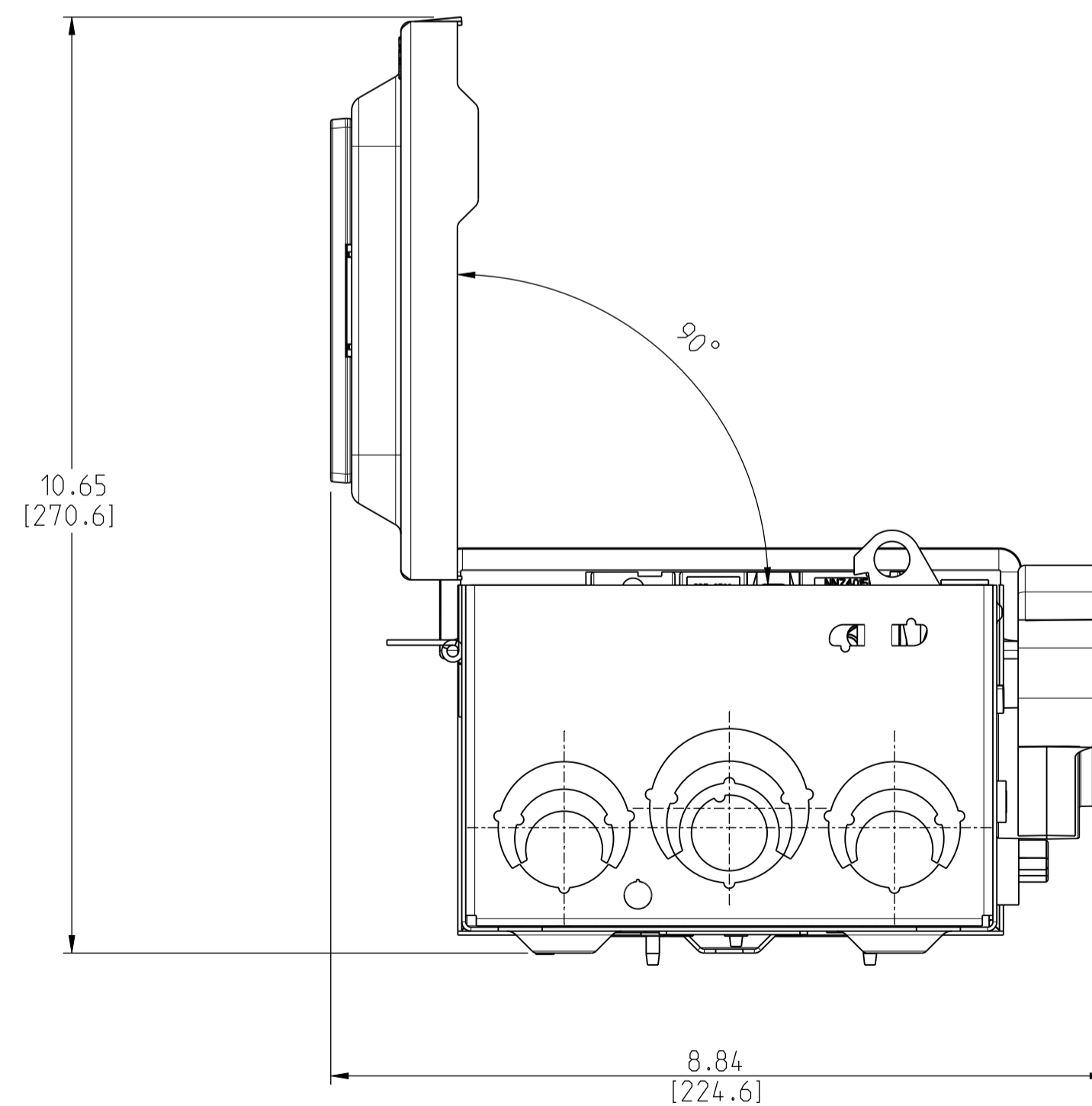
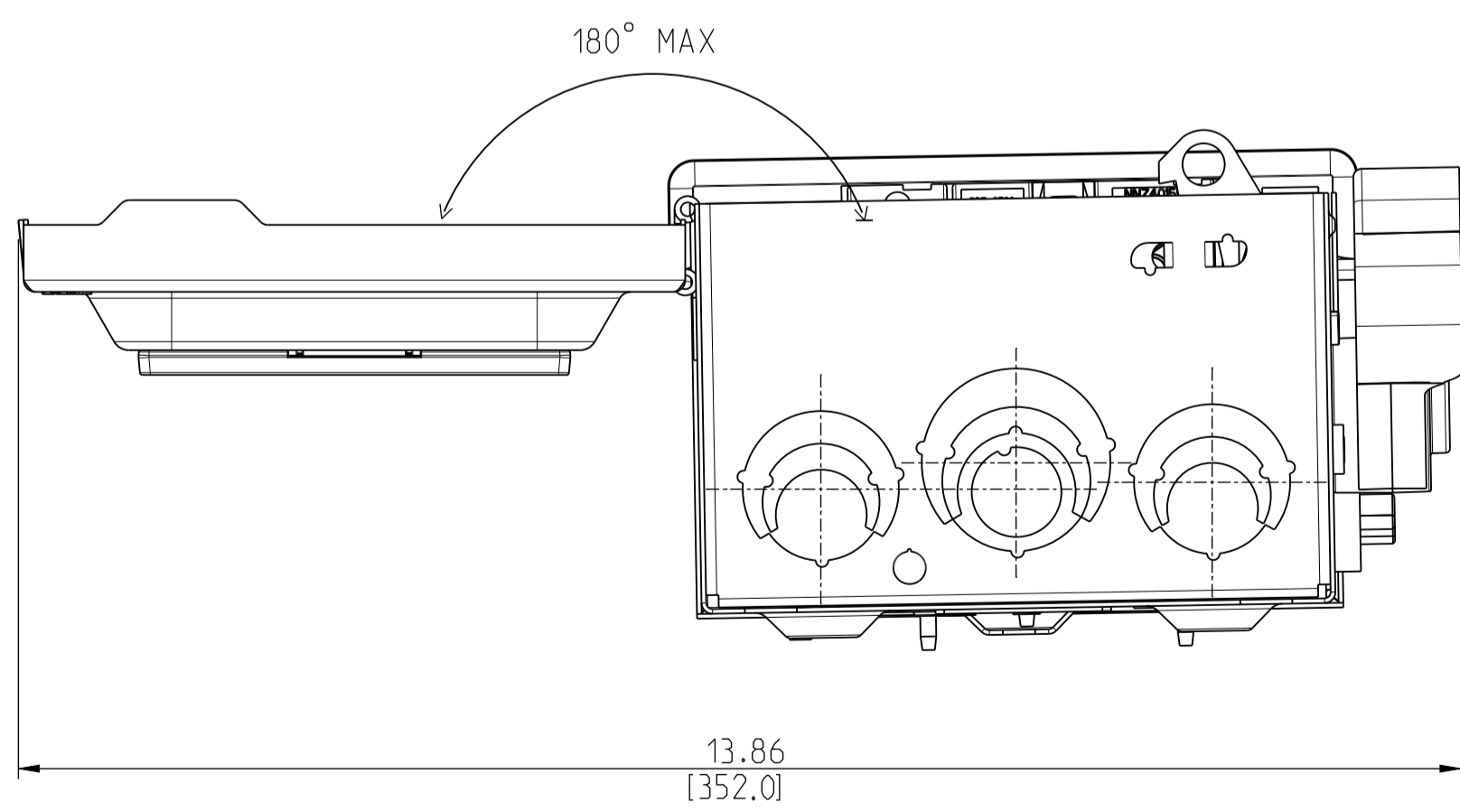
DETAIL A



DETAIL B



DETAIL C



	Scale: NTS	Technical Specification:	Units of measure: in
	Document Description: APVHU361RBGL_CUSTOMER-DRAWING		Doc. Rev. Sheet: OO 2/3
Document Number: APVHU361RBGL_CUSTOMER-DRAWING		State:	

The information is highly confidential and is the exclusive property of Schneider Electric. Copyright reserved. This drawing may not be used for any purpose other than that expressly permitted in writing by the owners and may not be disclosed or reproduced in any way without permission from the owners in writing. This drawing may be returned to the owners when the process has closed.

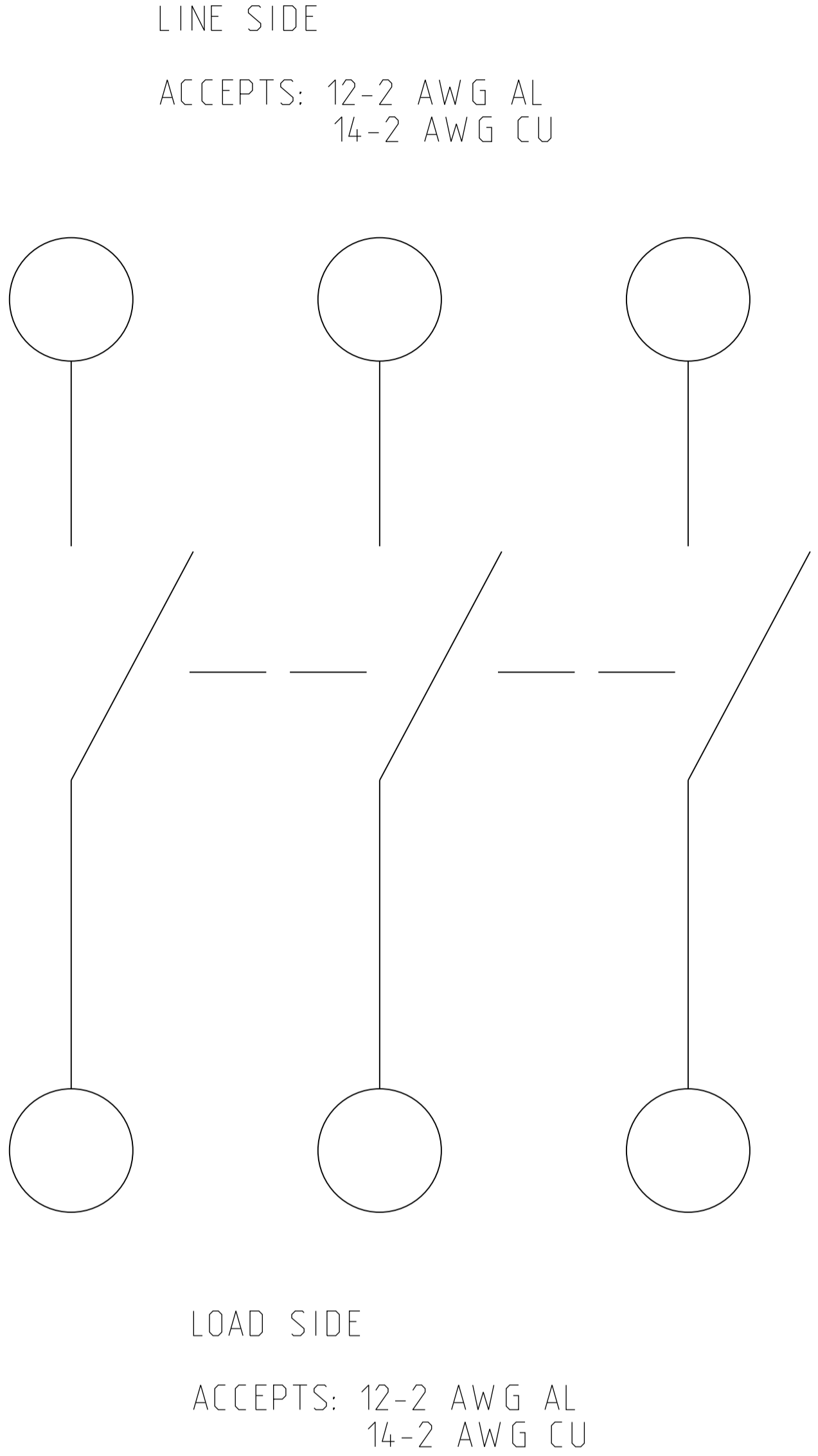
CATALOG NUMBER	VOLTAGE RATING	AMPERAGE RATING
VHU361RBGL	600 VAC/VDC	30A

HORSEPOWER RATINGS			
VOLTS	Ø	STD	MAX
120V~	1	--	2
240V~	1	--	5
240V~	3	--	10
480V~	1	--	7.5
480V~	3	--	20
600V~	1	--	10
600V~	3	--	30
125V =	--	--	3
250V =	--	--	5
600V =	--	--	15

KIT	VOLTAGE	PART NUMBER
ELECTRICAL INTERLOCK	600V & 240V	EIK031, EIK032
CLASS R FUSE KITS	600V	RFK03L, RFK06
	240V	RFK03L
INTERNAL BARRIER	600V & 240V	SS03
FUSE PULLER	600V & 240V	FPK03
SOLID NEUTRAL ASSEMBLY	600V & 240V	SN03 for Al SN03C for Cu
EQUIPMENT GROUNDING KIT	600V & 240V	GTK03 for Al GTK03C for Cu
TOUCH UP PAINT	600V & 240V	PK49SP
LOCK OFF/ON	600V & 240V	LOGK1
COPPER LUGS	600V & 240V	CL0306F

Switch Rating (A)	Fuse or Circuit Breaker Type	240Vac	480Vac	600Vac	250Vdc
With upstream Fuse Protection					
ALL	H, K	10 kA	10 kA	10 kA	Up to 10 kA
	R, T, J, L	200 kA	200 kA	200 kA	
With Upstream Circuit Breaker Protection					
ALL	Any Brand Circuit Breaker	10 kA	10 kA	10 kA	
30A	PowerPact HD	25 kA	18 kA	14 kA	Up to 10 kA
30A	PowerPact HG	65 kA	35 kA	18 kA	Up to 10 kA
30A	PowerPact HJ	65 kA	35 kA	25 kA	Up to 10 kA
30A	PowerPact HL	65 kA	35 kA	35 kA	Up to 10 kA
30A	PowerPact HR	65 kA	35 kA	35 kA	Up to 10 kA
30A	FA	14 kA	14 kA	14 kA	Up to 10 kA
30A	FH	18 kA	18 kA	18 kA	Up to 10 kA

Switch Rating (A)	Fuse or Circuit Breaker Type	240Vac	480Vac	600Y/347 Vac	250Vdc
With Upstream Circuit Breaker Protection					
30A	PowerPact BD	25 kA	18 kA	14 kA	Up to 10kA
30A	PowerPact BG	65 kA	35 kA	18 kA	Up to 10kA
30A	PowerPact BJ & BK	65 kA	35 kA	25 kA	Up to 10kA



	Scale: NTS	Technical Specification:	Units of measure: in
	Document Description: APVHU361RBGL_CUSTOMER-DRAWING		Doc. Rev. Sheet: 00 3/3
Document Number: APVHU361RBGL_CUSTOMER-DRAWING		State:	

The information is highly confidential and is the exclusive property of Schneider Electric. It is not to be disclosed or reproduced in any way without permission from the Schneider Electric Group. This drawing shall be used for all services unless otherwise expressly permitted.