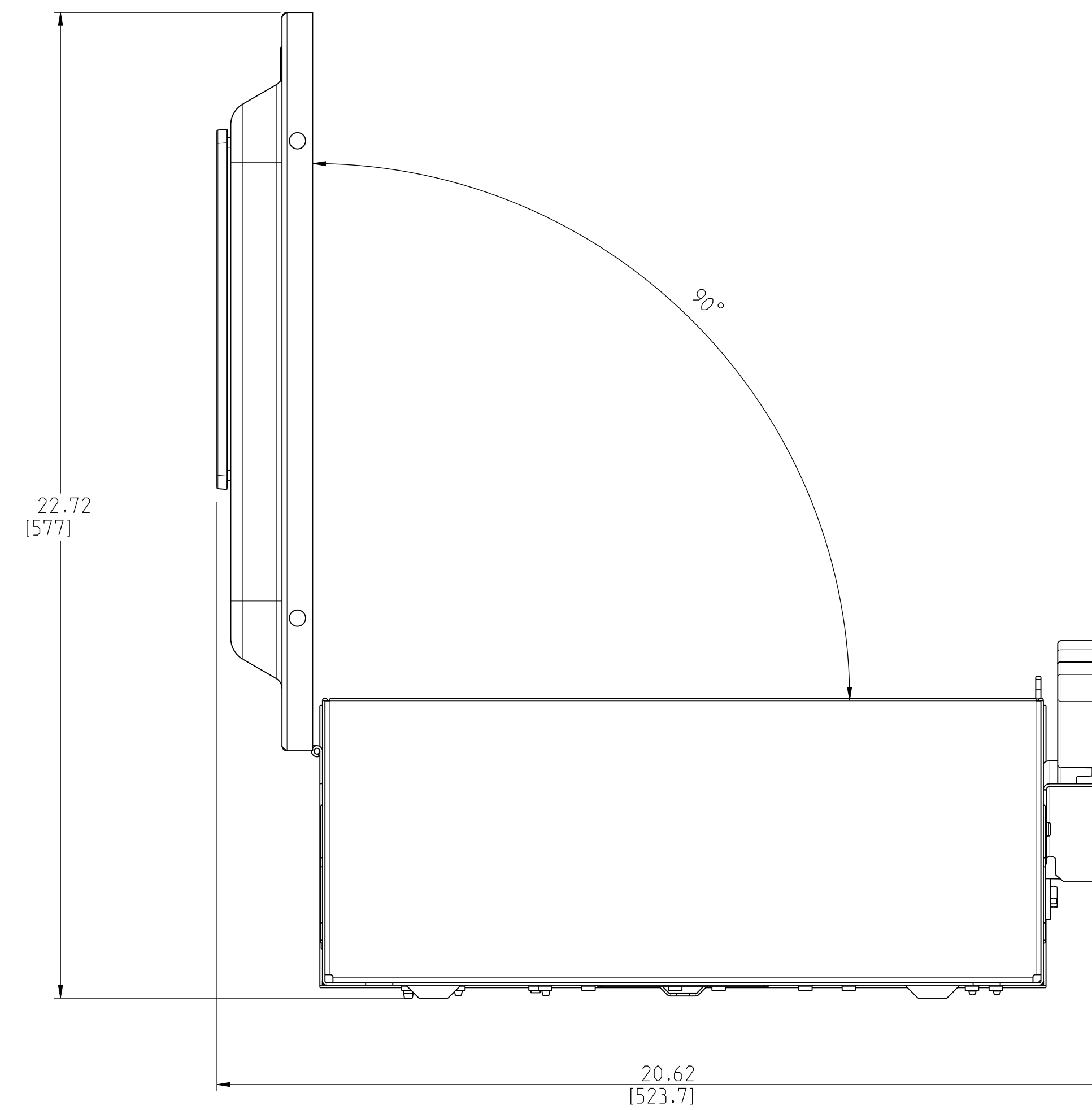
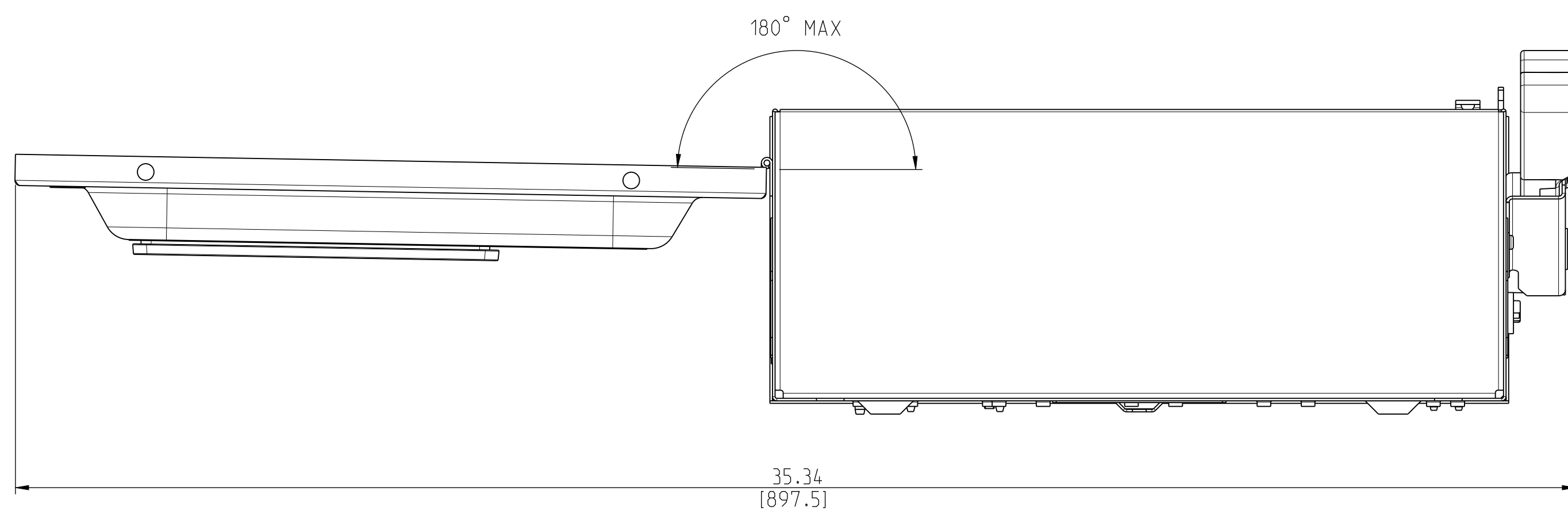
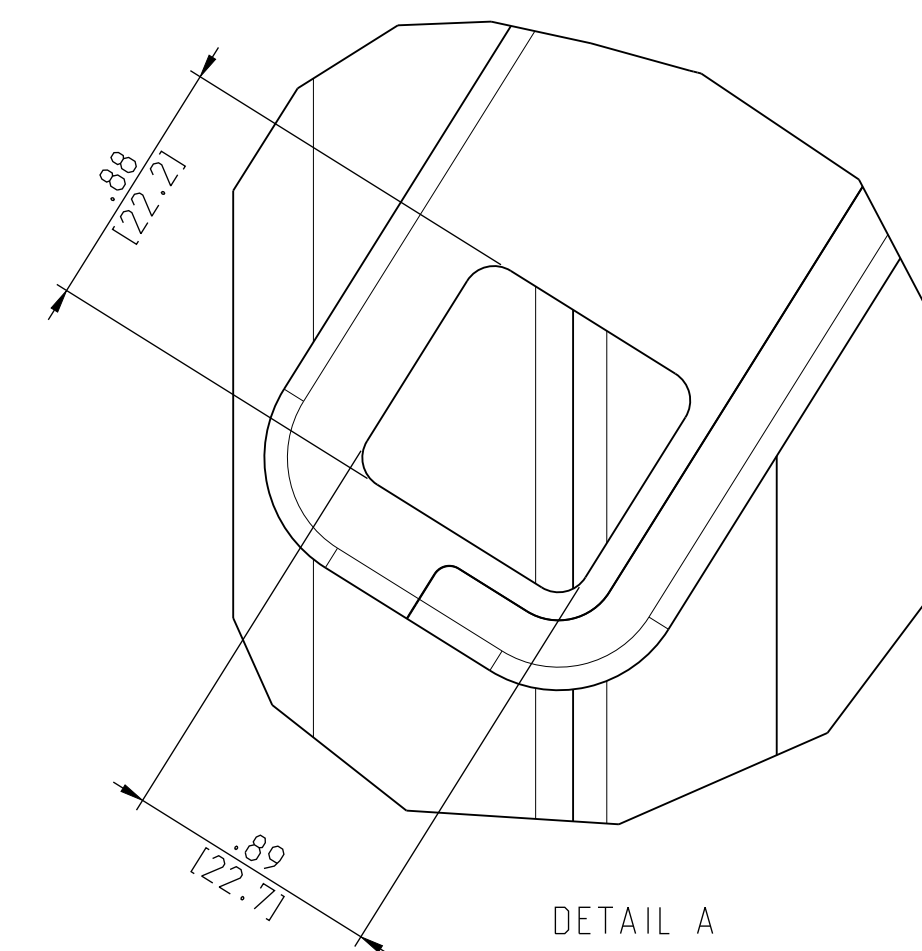
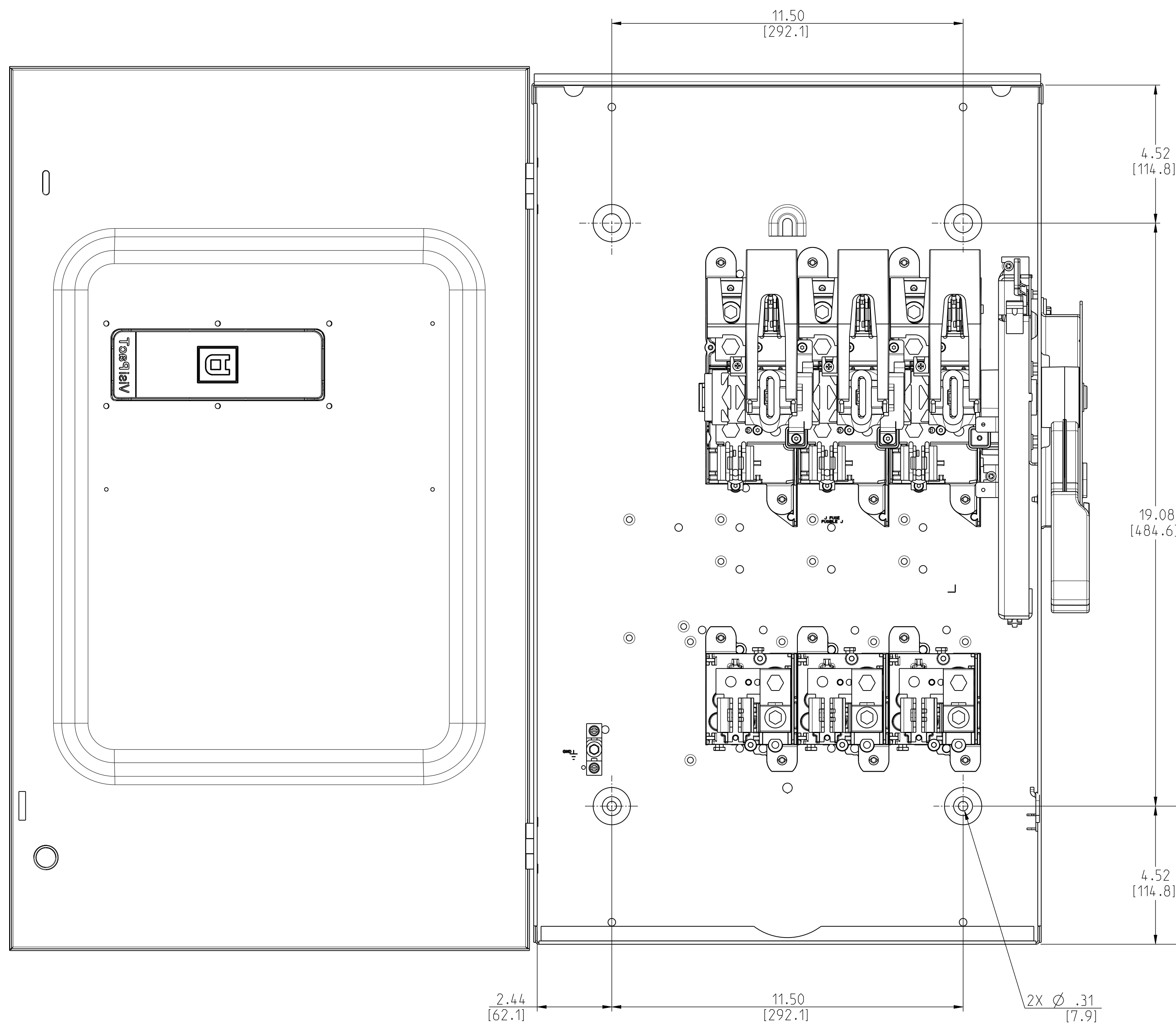


DETAIL A  
(SEE PAGE #2)

|  |   |                          |                           |
|--|---|--------------------------|---------------------------|
|  | Scale: NTS  | Technical Specification: | Units of measure : in     |
|  | Document Description: APVH364RGL_CUSTOMER-DRAWING |                          |                           |
| Document Number: APVH364RGL_CUSTOMER-DRAWING   |   | Doc. Rev. 00             | Sheet: 1/3                |
| <small>The information is highly confidential and is the exclusive property of Schneider Electric. It is not to be disclosed or reproduced in any way without permission from the Schneider Electric Group. This drawing must not be used for any other purpose than the one intended.</small> |   |                          | State: <b>Provisional</b> |

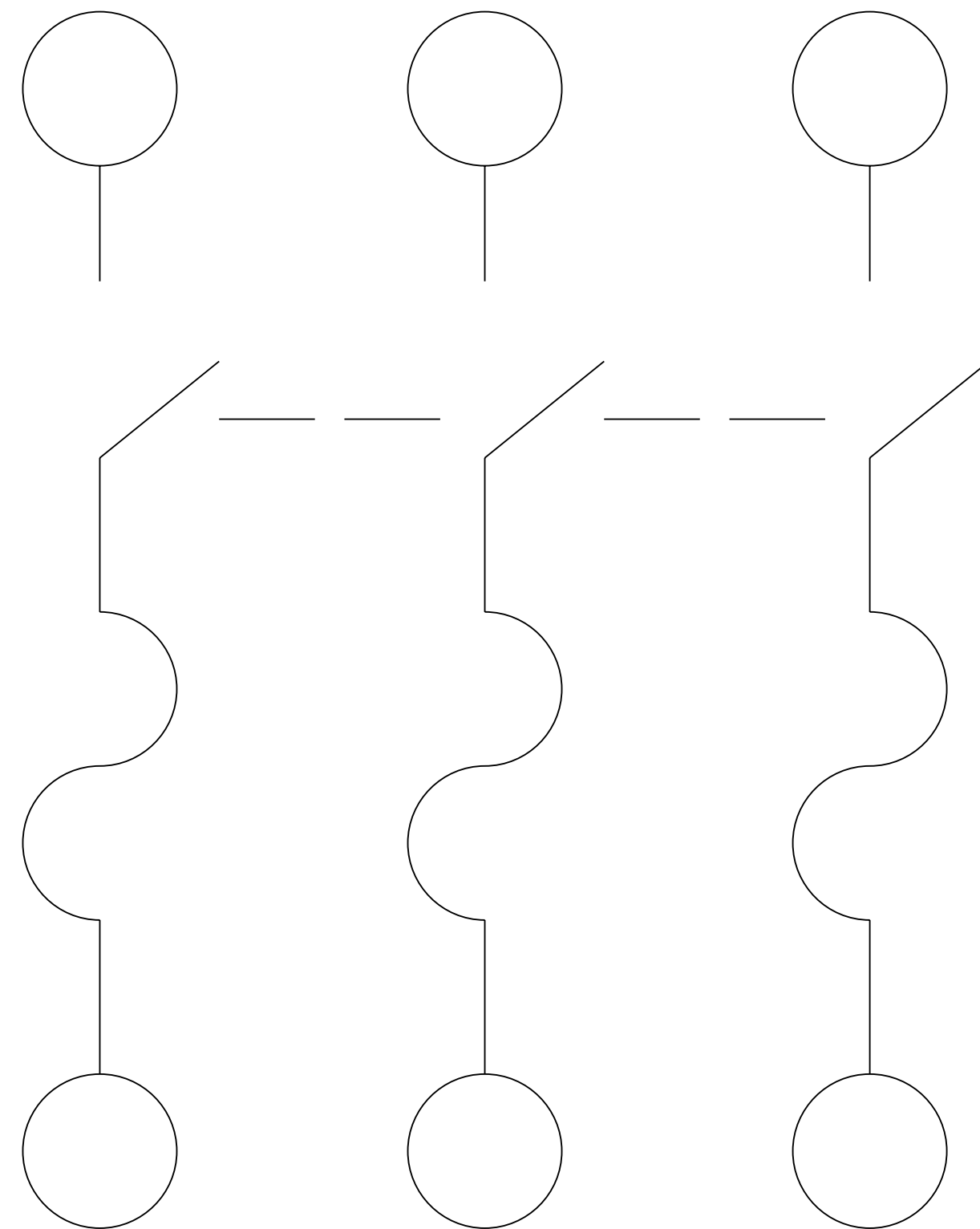


|   |  |                          |                            |
|---|--|--------------------------|----------------------------|
|   | Scale:<br>NTS  | Technical Specification: | Units of measure:<br>in    |
|   | Document Description:<br>APVH364RGL_CUSTOMER-DRAWING |                          | Doc. Rev. Sheet:<br>00 2/3 |
| Document Number:<br>APVH364RGL_CUSTOMER-DRAWING |  | State:                   |                            |

The information is highly confidential and is the exclusive property of Schneider Electric. It is not to be disclosed or reproduced in any way without the prior written permission of Schneider Electric. This drawing must not be used for any purpose other than that expressly permitted by the user's agreement with Schneider Electric. This drawing must be returned to the issuer when the purpose has ceased.

LINE SIDE

ACCEPTS: 6 AWG - 300 KCMIL (AL-CU)



LOAD SIDE

ACCEPTS: 6 AWG - 300 KCMIL (AL-CU)

**NOTES:**

FINISH - GALVANNEAL STEEL, GRAY BAKED ENAMEL

LUGS SUITABLE FOR 75°C AL-CU CONDUCTORS

**SHORT CIRCUIT CURRENT RATINGS:**

10,000 RMS SYMMETRICAL AMPERES WHEN USED IN CONJUNCTION WITH CLASS H OR K FUSES.  
 200,000 RMS SYMMETRICAL AMPERES WHEN USED IN CONJUNCTION WITH CLASS R, J OR T FUSES.  
 ON 600V SWITCHES, 100,000 AMPERES MAX ON CORNER GROUNDED DELTA WHEN PROTECTED  
 BY CLASS J OR R FUSES, 200 AMPERE MAX.

cULus LISTED - FILE E2875

**SEISMIC NOTES:**

USE (4) 1/4" DIA GRADE 5 STEEL MOUNTING BOLTS AT SWITCH MOUNTING HOLES. MAX CONFIGURED  
 WEIGHT 55 LB FOR THE PURPOSE OF DETERMINING SEISMIC ANCHORAGE REQUIREMENTS. FOR ALL  
 OTHER APPLICATIONS, CONTACT SQUARE D COMPANY.

| CATALOG NUMBER | VOLTAGE RATING | AMPERAGE RATING | ENCLOSURE RATING |
|----------------|----------------|-----------------|------------------|
| VH364RGL       | 600VAC/VDC     | 200A            | TYPE 3R          |

| HORSEPOWER RATINGS |    |     |     |
|--------------------|----|-----|-----|
| VOLTS              | Ø  | STD | MAX |
| *240V~             | 1  | 15  | --  |
| **240V~            | 3  | 25  | 60  |
| *480V~             | 1  | 25  | 50  |
| **480V~            | 3  | 50  | 125 |
| *600V~             | 1  | 30  | 50  |
| **600V~            | 3  | 60  | 150 |
| *250V=             | -- | 40  | --  |
| *600V=             | -- | 50  | --  |

\*USE ANY TWO SWITCHING POLES

\*\*IF CORNER GROUNDED DELTA, INSTALL NEUTRAL  
 AND USE ANY TWO SWITCHING POLES FOR  
 UNGROUNDED CONDUCTORS

| ACCESORIES              |             |   |
|-------------------------|-------------|---|
| KIT                     | VOLTAGE     | PART NUMBER   |
| ELECTRICAL INTERLOCK    | 600V & 240V | EIK1, EIK2  |
| CLASS R FUSE KITS       | 600V & 240V | HRK1020   |
| INTERNAL BARRIER        | 600V & 240V | SS20  |
| SOLID NEUTRAL ASSEMBLY  | 600V & 240V | SN20A for Al<br>SN20C for Cu<br><br>FOR CANADA:<br>CSN20A for Al<br>CSN20C for Cu |
| EQUIPMENT GROUNDING KIT | 600V & 240V | PKOGTA2 for Al<br>PKOGTC2 for Cu  |
| TOUCH UP PAINT          | 600V & 240V | PK49SP  |
| LOCK OFF/ON             | 600V & 240V | LOGK2   |
| COPPER LUGS             | 600V & 240V | CL20F   |
| DOUBLE LUG              | 600V & 240V | AL20DTF   |
| COMPRESSION LUGS        | 600V & 240V | VCEL030516H1 for Al<br>VCEL030516H1 for Cu  |

|   |  |                          |                            |
|---|--|--------------------------|----------------------------|
|   | Scale:<br>NTS  | Technical Specification: | Units of measure:<br>in    |
|   | Document Description:<br>APVH364RGL_CUSTOMER-DRAWING |                          | Doc. Rev. Sheet:<br>00 3/3 |
| Document Number:<br>APVH364RGL_CUSTOMER-DRAWING |  | State:                   |                            |

The information is highly confidential and is the exclusive property of Schneider Electric. It is not to be disclosed or made available to any third party without the express written permission of Schneider Electric. This drawing shall not be used for any purpose other than that expressly permitted in writing by the user and shall not be disclosed or made available to any third party without the express written permission of Schneider Electric. This drawing shall not be used for any purpose other than that expressly permitted in writing by the user and shall not be disclosed or made available to any third party without the express written permission of Schneider Electric.