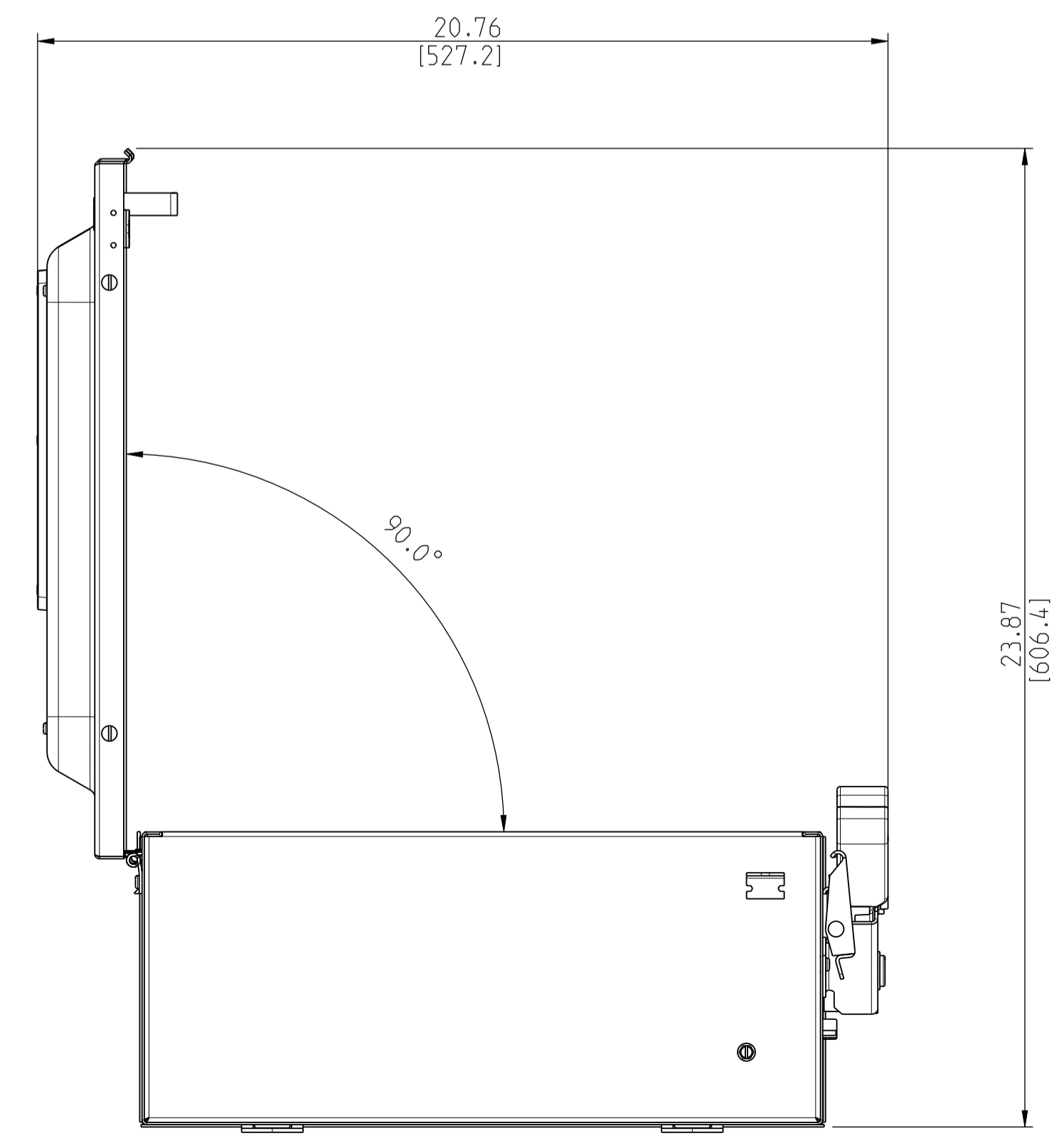
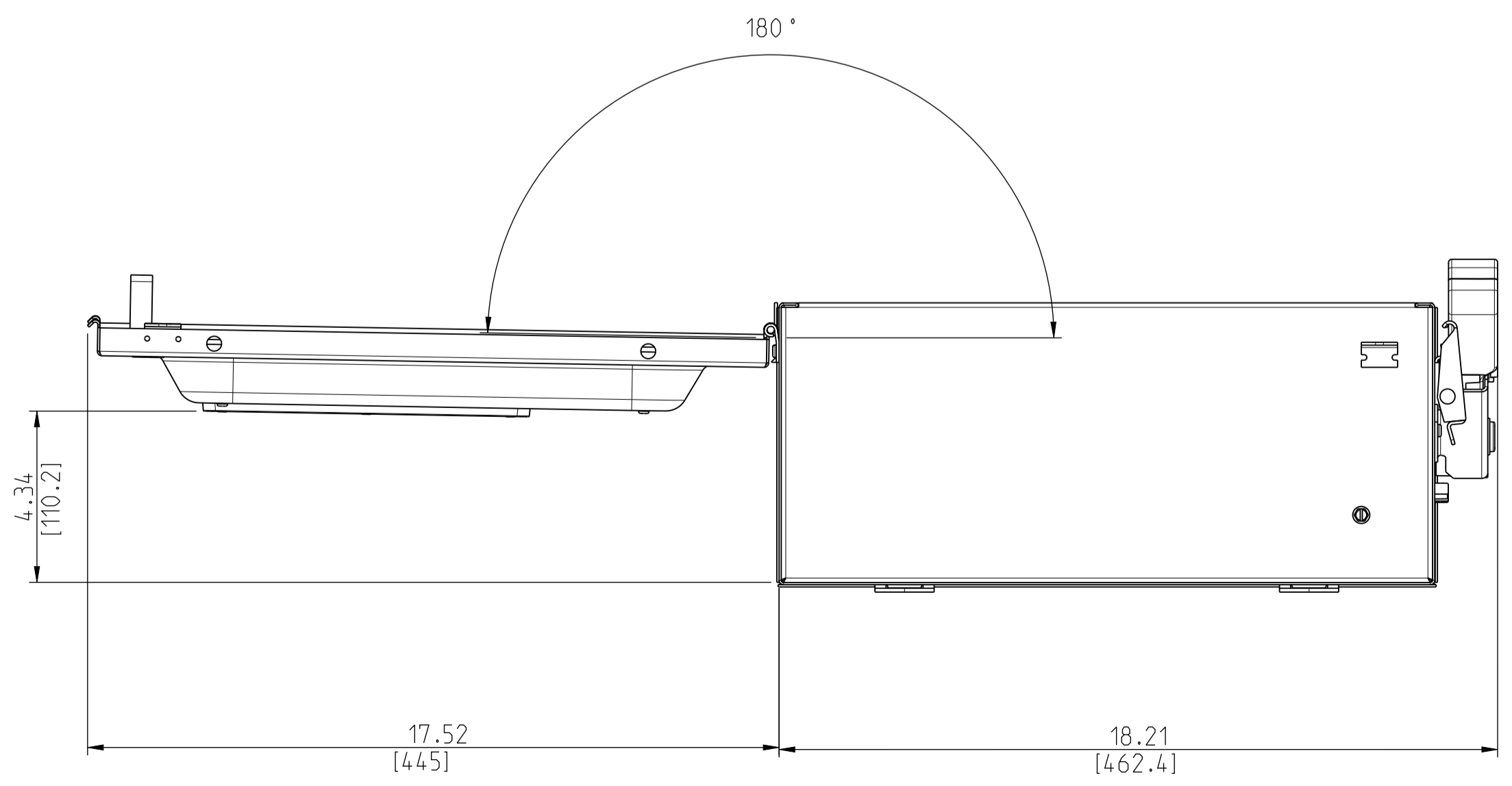
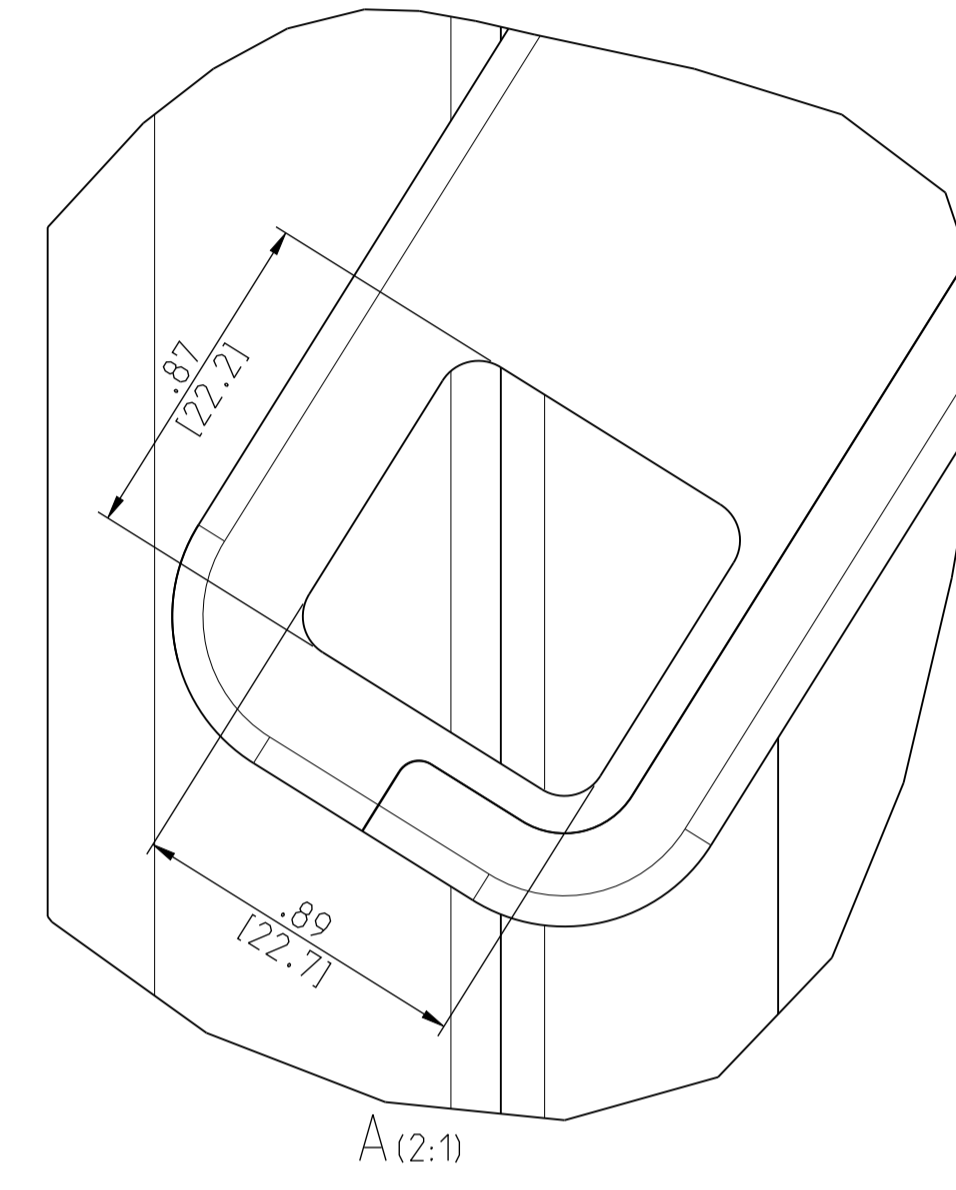
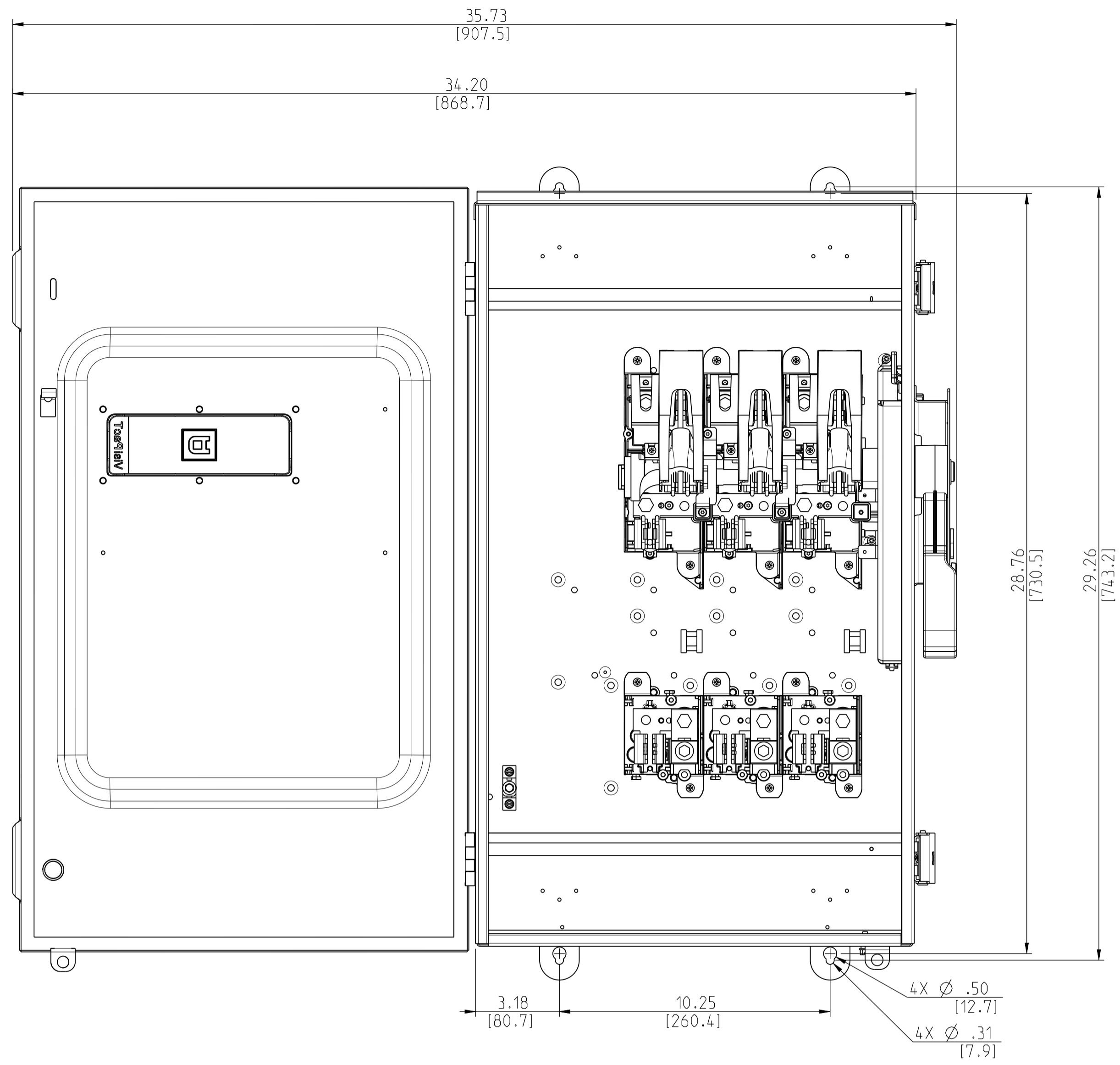


	Scale: 3:10	Technical Specification:	Units of measure: in
	Document Description: APVH364AWKGL_CUSTOMER-DRAWING		
Document Number: APVH364AWKGL_CUSTOMER-DRAWING		Doc. Rev. 00	Sheet: 1/3
<small>The information is highly confidential and is the exclusive property of Schneider Electric. It is not to be disclosed or reproduced in any way without permission from the Schneider Electric Group. This drawing must not be used for any purpose other than that expressly permitted in writing by the supplier and may not be disclosed or reproduced in any way without permission from the supplier in writing. This drawing must not be modified in any way without the supplier's consent.</small>			State: <b>Provisional</b>

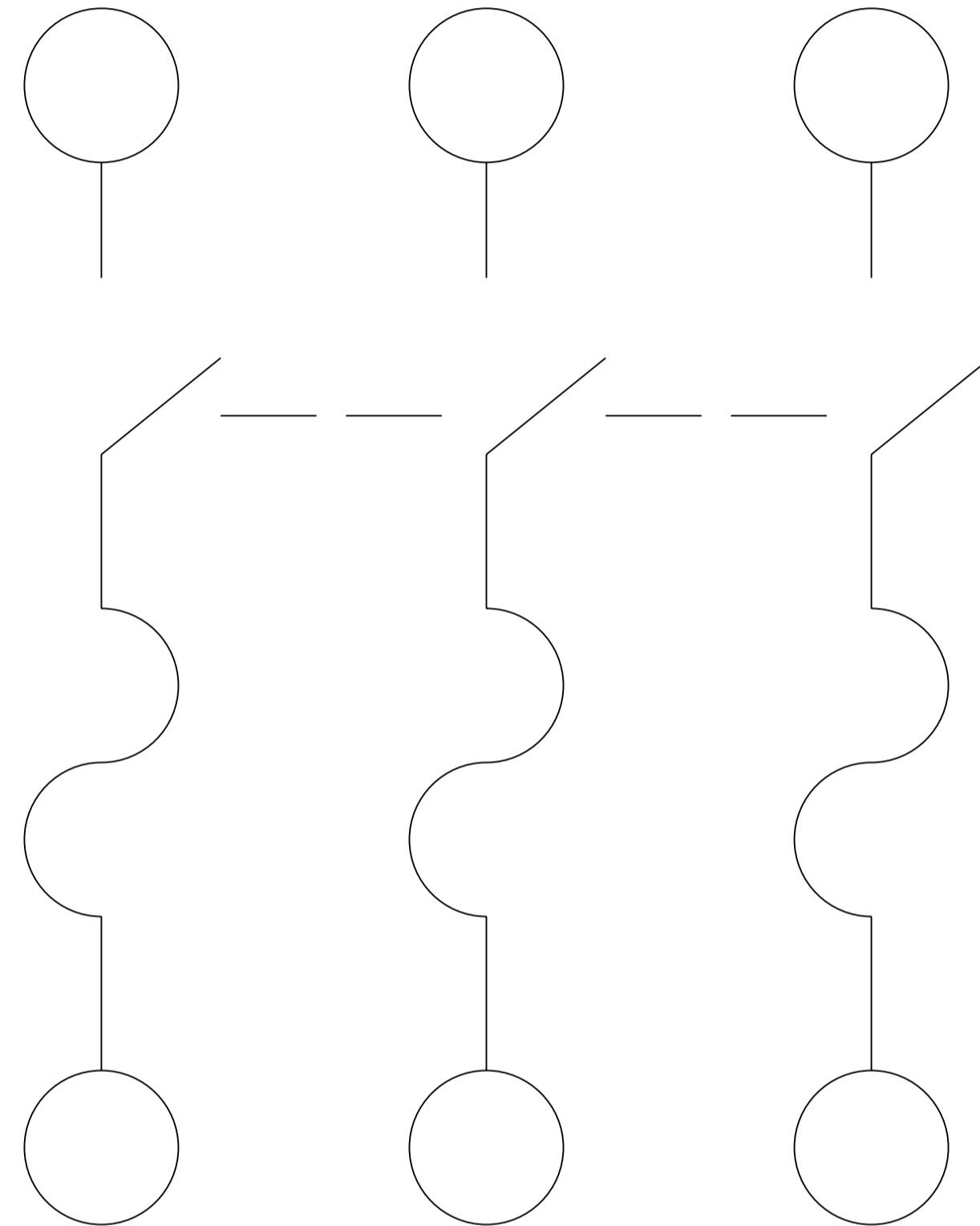


	Scale: 3:10	Technical Specification:	Units of measure: in
	Document Description: <b>APVH364AWKGL_CUSTOMER-DRAWING</b>		
Document Number: <b>APVH364AWKGL_CUSTOMER-DRAWING</b>		Doc. Rev.:	Sheet:
		<b>00</b>	<b>2/3</b>

The information is highly confidential and is the exclusive property of Schneider Electric. Copyright reserved. This drawing must not be used for any purpose other than that expressly permitted in writing by the vendor and shall not be disclosed or reproduced in any way without permission from the vendor in writing. This drawing shall be returned to the vendor when the project has ended.

LINE SIDE

ACCEPTS: 6 AWG - 300 KCMIL (AL-CU)



LOAD SIDE

ACCEPTS: 6 AWG - 300 KCMIL (AL-CU)

CATALOG NUMBER	VOLTAGE RATING	AMPERAGE RATING	ENCLOSURE RATING
VH364AWKGL	600VAC/VDC	200A	TYPE 12

HORSEPOWER RATINGS			
VOLTS	Ø	STD	MAX
*240V~	1	15	--
**240V~	3	25	60
*480V~	1	25	50
**480V~	3	50	125
*600V~	1	30	50
**600V~	3	60	150
*250V=	--	40	--
*600V=	--	50	--

\*USE ANY TWO SWITCHING POLES

\*\*IF CORNER GROUNDED DELTA, INSTALL NEUTRAL AND USE ANY TWO SWITCHING POLES FOR UNGROUNDED CONDUCTORS

ACCESORIES		
KIT	VOLTAGE	PART NUMBER
ELECTRICAL INTERLOCK	600V & 240V	EIK1, EIK2
CLASS R FUSE KITS	600V & 240V	HRK1020
INTERNAL BARRIER	600V & 240V	SS20
SOLID NEUTRAL ASSEMBLY	600V & 240V	SN20A for Al SN20C for Cu  FOR CANADA: CSN20A for Al CSN20C for Cu
EQUIPMENT GROUNDING KIT	600V & 240V	PKOGTA2 for Al PKOGTC2 for Cu
TOUCH UP PAINT	600V & 240V	PK49SP
LOCK OFF/ON	600V & 240V	LOGK2
COPPER LUGS	600V & 240V	CL20F
DOUBLE LUG	600V & 240V	AL20DTF
COMPRESSION LUGS	600V & 240V	VCEL030516H1 for Al VCELC030516H1 for Cu

**NOTES:**

FINISH - GALVANNEAL STEEL, GRAY BAKED ENAMEL

LUGS SUITABLE FOR 75°C AL-CU CONDUCTORS

**SHORT CIRCUIT CURRENT RATINGS:**

10,000 RMS SYMMETRICAL AMPERES WHEN USED IN CONJUNCTION WITH CLASS H OR K FUSES.  
200,000 RMS SYMMETRICAL AMPERES WHEN USED IN CONJUNCTION WITH CLASS R, J OR T FUSES.  
ON 600V SWITCHES, 100,000 AMPERES MAX ON CORNER GROUNDED DELTA WHEN PROTECTED BY CLASS J OR R FUSES, 200 AMPERE MAX.

cULus LISTED - FILE E2875

**SEISMIC NOTES:**

USE (4) ¼" DIA GRADE 5 STEEL MOUNTING BOLTS AT SWITCH MOUNTING HOLES. MAX CONFIGURED WEIGHT 60 LB FOR THE PURPOSE OF DETERMINING SEISMIC ANCHORAGE REQUIREMENTS. FOR ALL OTHER APPLICATIONS, CONTACT SQUARE D COMPANY.

	Scale: NTS	Technical Specification:	Units of measure: in
	Document Description: APVH364AWKGL_CUSTOMER-DRAWING		
Document Number: APVH364AWKGL_CUSTOMER-DRAWING		Doc. Rev. 00	Sheet: 3/3

The information is highly confidential and is the exclusive property of Schneider Electric. Copyright reserved. This drawing may not be copied or reproduced in any way without permission from the owner. In addition, this drawing shall be returned to the owner when the project has ended.