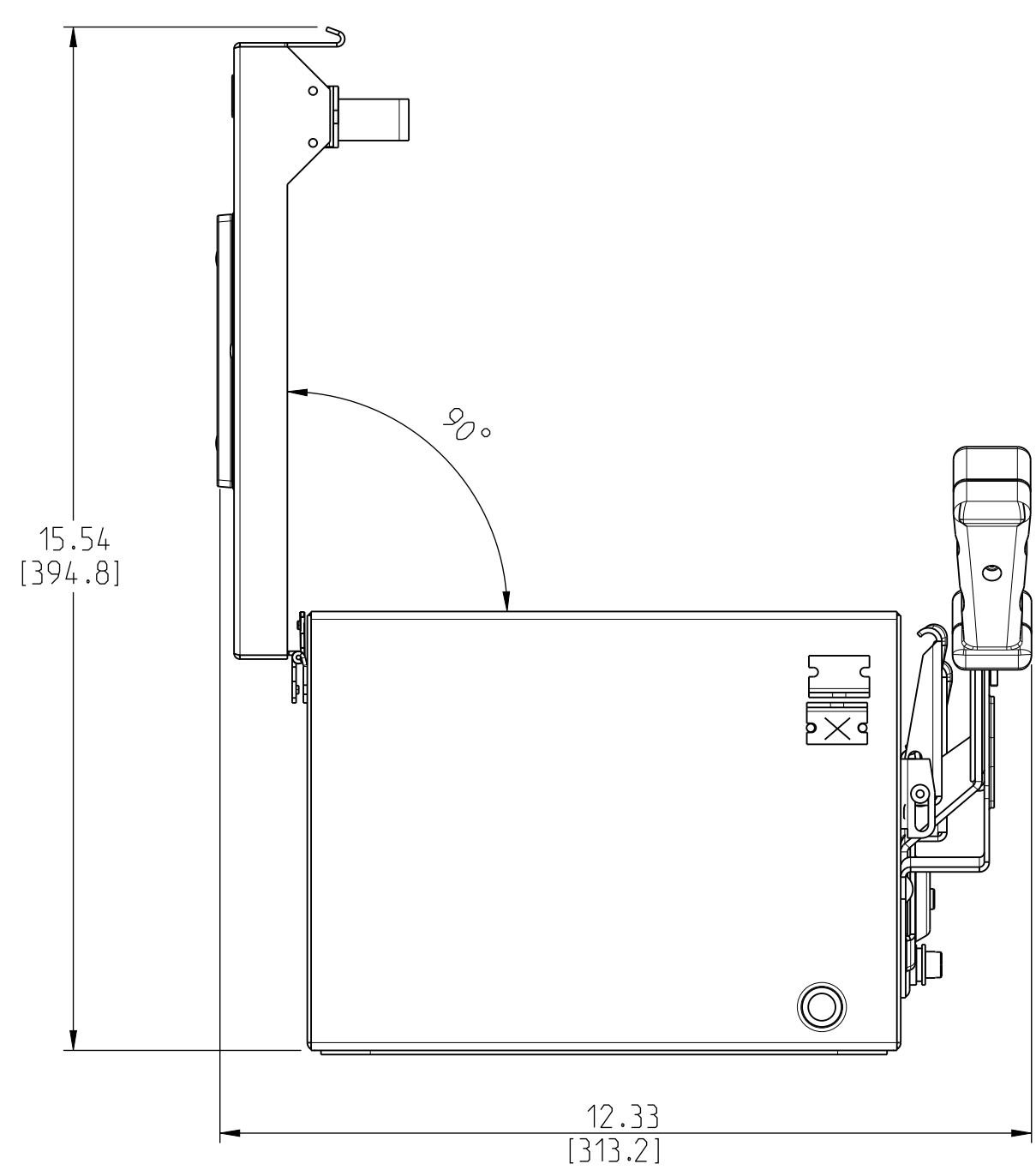
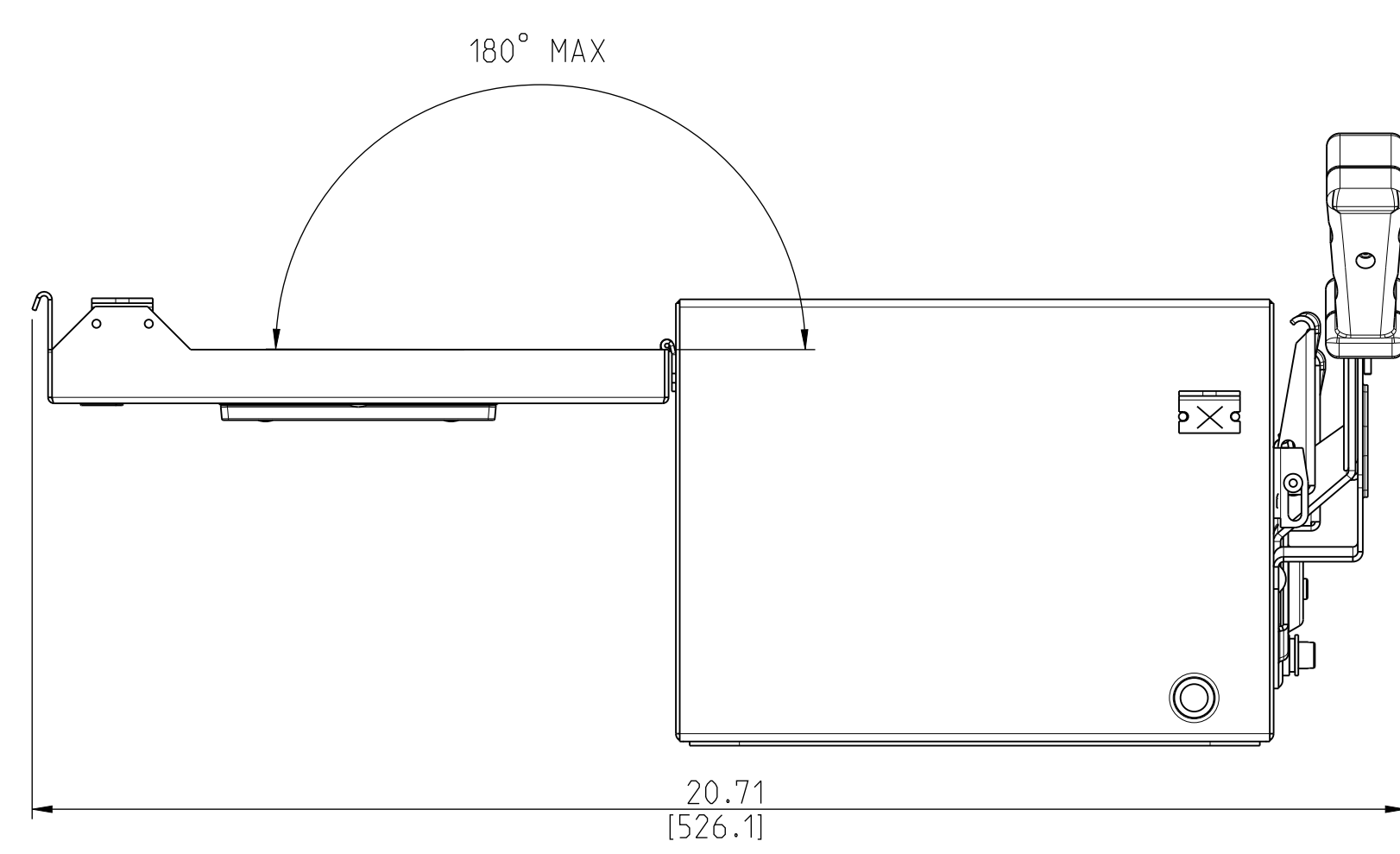
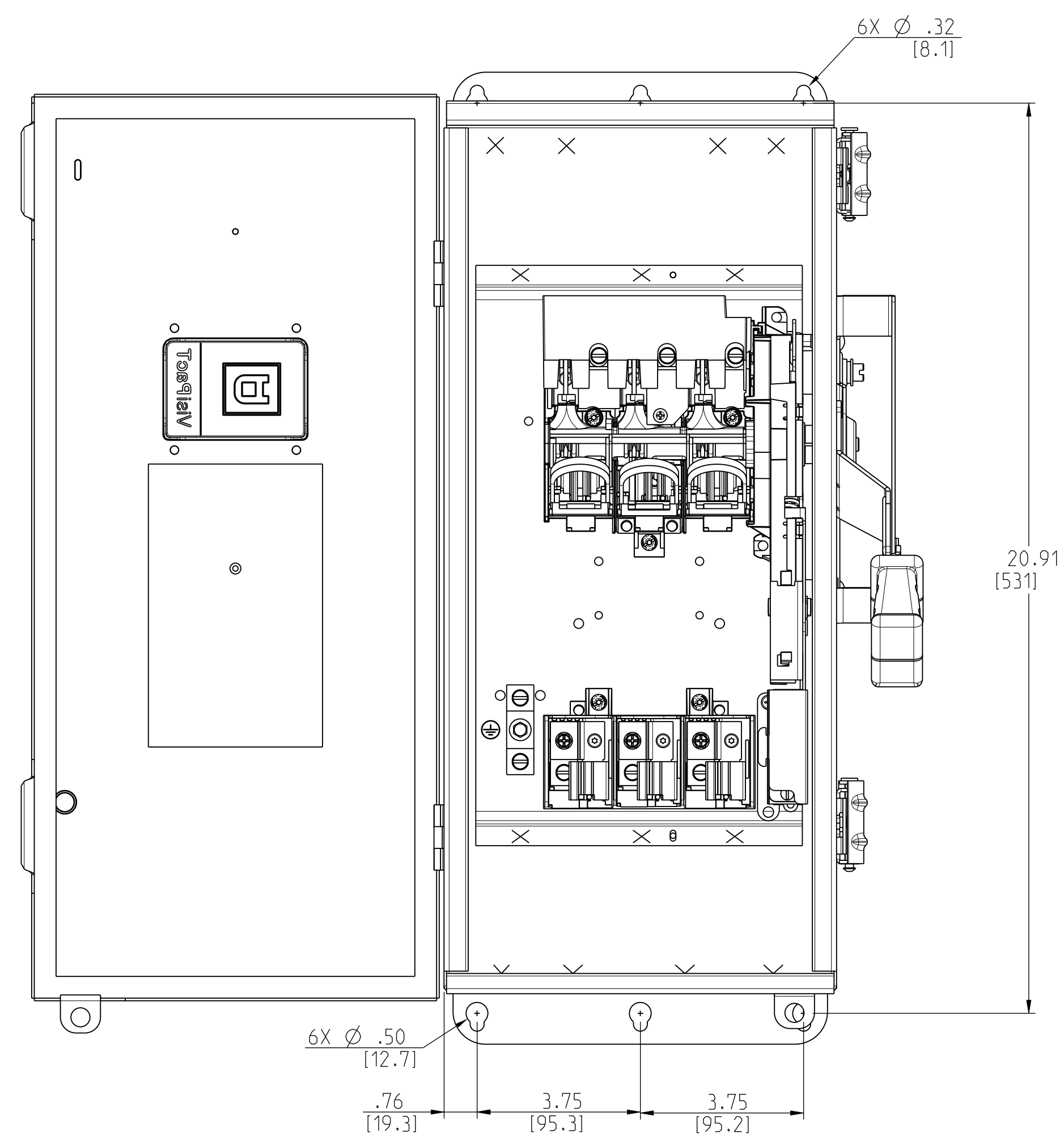


	Scale: NTS	Technical Specification:	Units of measure: in
	Document Description: APVH363DSGL_CUSTOMER-DRAWING		
Document Number: APVH363DSGL_CUSTOMER-DRAWING		Doc. Rev. 00	Sheet: 1/3
<small>The information is highly confidential and is the exclusive property of Schneider Electric. It is not to be disclosed or reproduced in any way without permission from the Schneider Electric Group. This drawing must not be used for any purpose other than that expressly permitted in writing by the Schneider Electric Group. This drawing must not be modified or altered in any way without the express written consent of Schneider Electric.</small>			State: <b>Provisional</b>

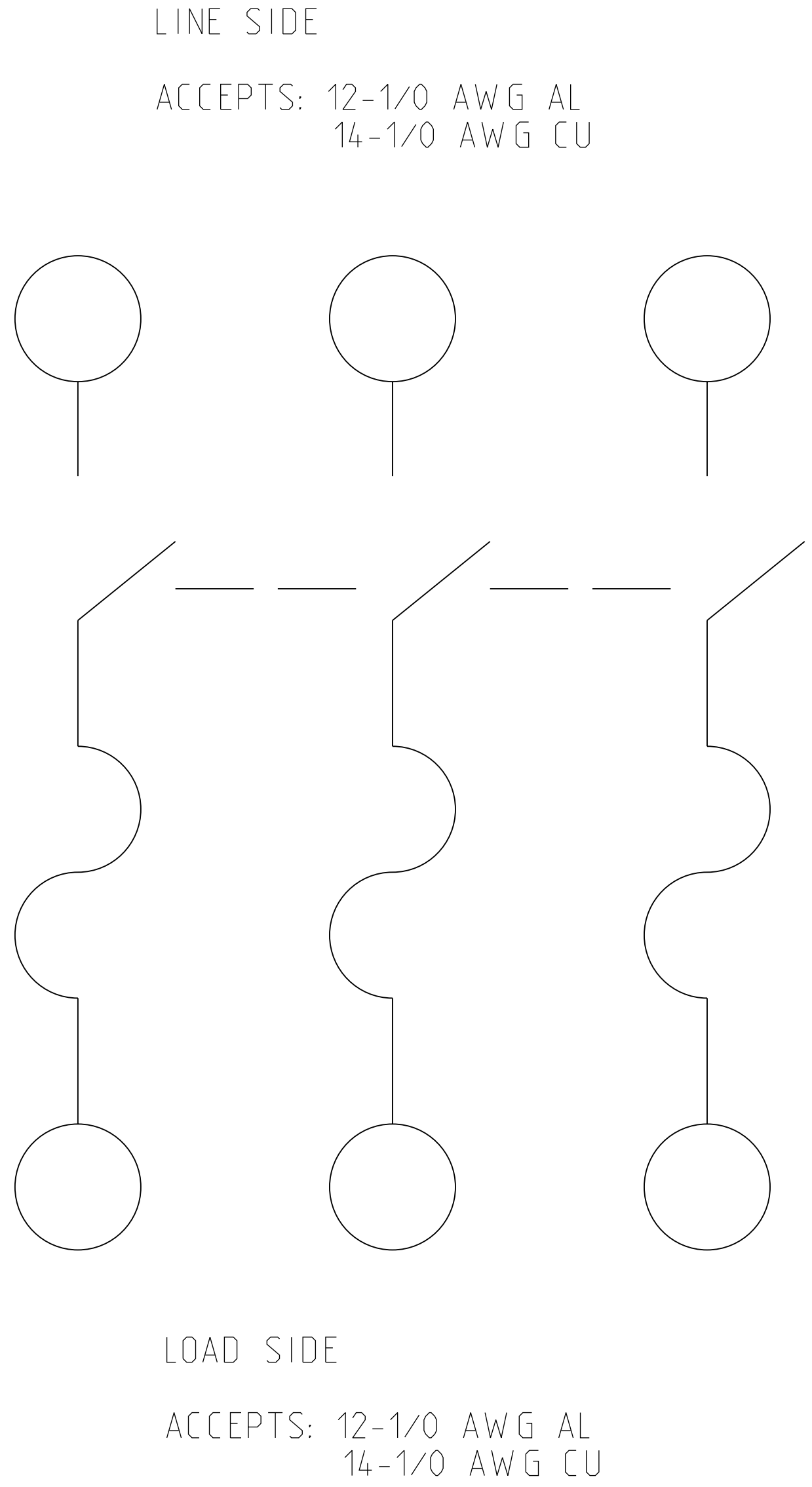


	Scale: NTS	Technical Specification:	Units of measure: in
	Document Description: <b>APVH363DSGL_CUSTOMER-DRAWING</b>		Doc. Rev. Sheet: <b>00 2/3</b>
Document Number: <b>APVH363DSGL_CUSTOMER-DRAWING</b>		State:	

The information is highly confidential and is the exclusive property of Schneider Electric. Copyright reserved. This drawing must not be used for any purpose other than that expressly permitted in writing by the owner and must not be disclosed or reproduced in any way without permission from the owner in writing. This drawing must be returned to the owner when the process has ended.

CATALOG NUMBER	VOLTAGE RATING	AMPERAGE RATING
VH363DSGL	600VAC/VDC	100A

HORSEPOWER RATINGS			
VOLTS	Ø	STD	MAX
240V~	1	7.5	15
240V~	3	15	30
480V~	1	10	30
480V~	3	25	60
600V~	3	30	75
250V=		20	
600V=		40	50



ACCESORIES		
KIT	VOLTAGE	PART NUMBER
ELECTRICAL INTERLOCK	600V & 240V	EIK1, EIK2
CLASS R FUSE KITS	600V & 240V	RFK10
INTERNAL BARRIER	600V & 240V	SS10
FUSE PULLER	600V & 240V	JFPK0610
SOLID NEUTRAL ASSEMBLY	600V & 240V	SN0610 for Al SN0610C for Cu
EQUIPMENT GROUNDING KIT	600V & 240V	GTK0610 for Al GTK0610C for Cu
TOUCH UP PAINT	600V & 240V	PK49SP
LOCK OFF/ON	600V & 240V	LOGK2
COPPER LUGS	600V & 240V	CL10F
COMPRESSION LUGS	600V & 240V	VCEL02114S1 for Al VCEL02114S1 for Cu

	Scale: NTS	Technical Specification:	Units of measure: in
	Document Description: APVH363DSGL_CUSTOMER-DRAWING		Doc. Rev. Sheet: OO 3/3
Document Number: APVH363DSGL_CUSTOMER-DRAWING		State:	

The information is highly confidential and is the exclusive property of Schneider Electric. Copyright reserved. This drawing must not be used for any purpose other than that expressly permitted in writing by the owners and must not be disclosed or transmitted in any way without permission from the owners in writing. This drawing must be returned to the owners when the service has ceased.