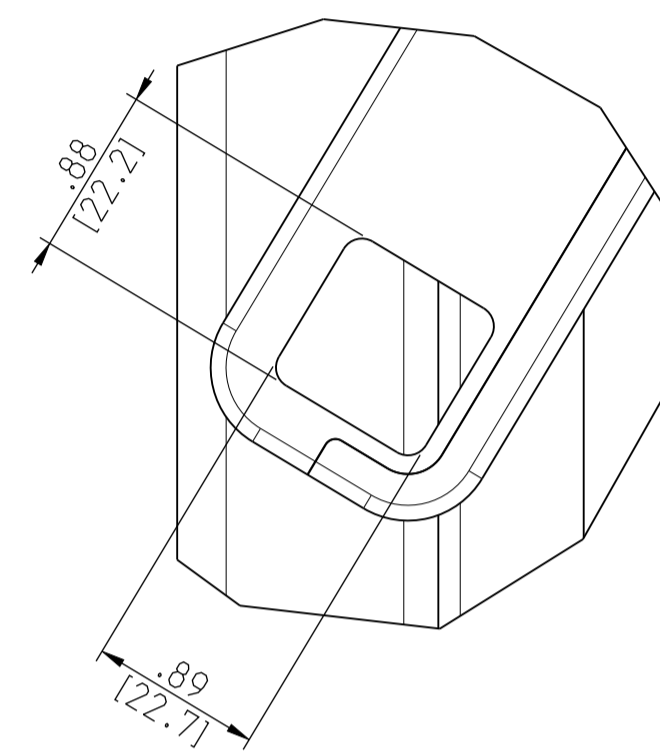
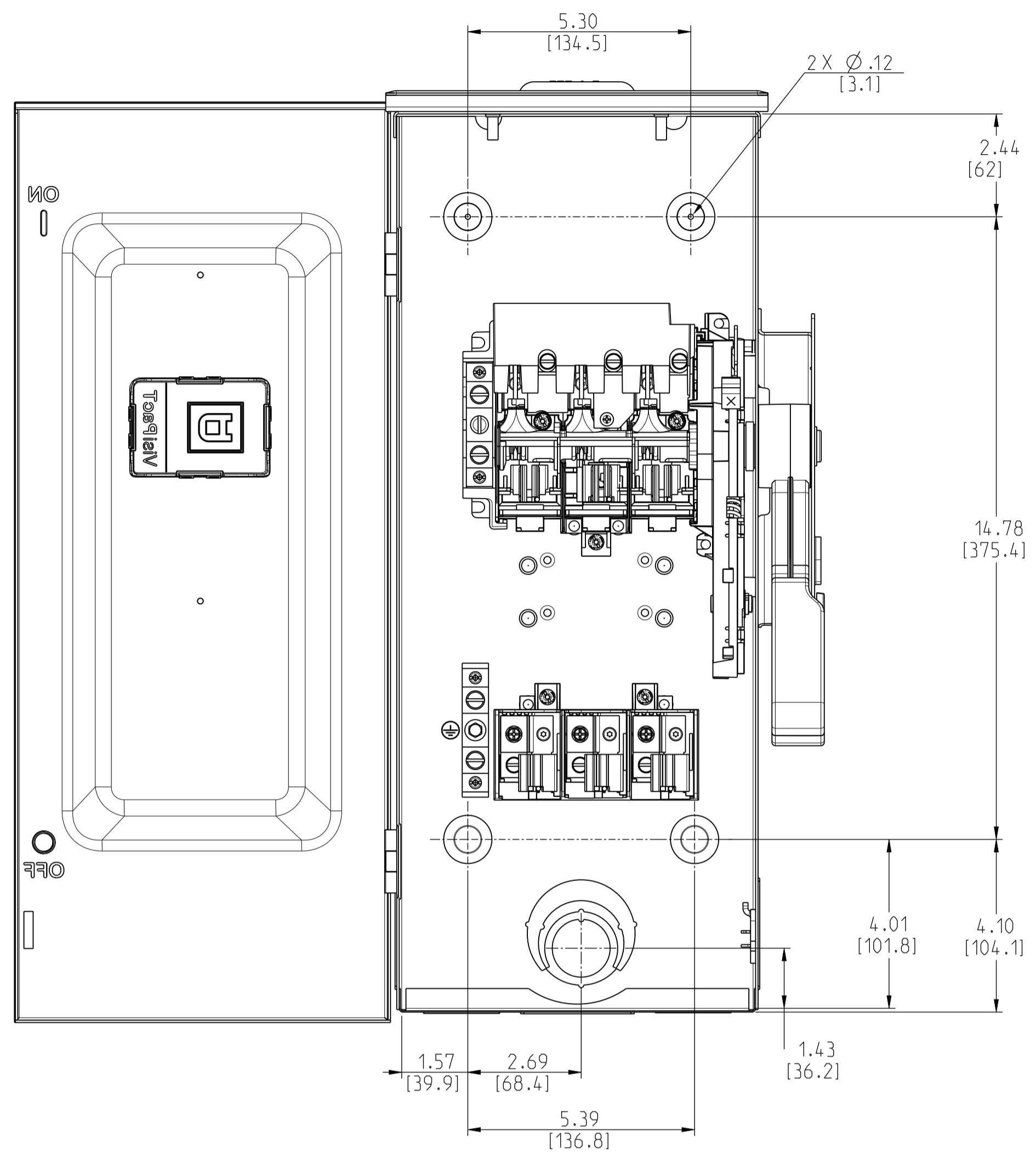
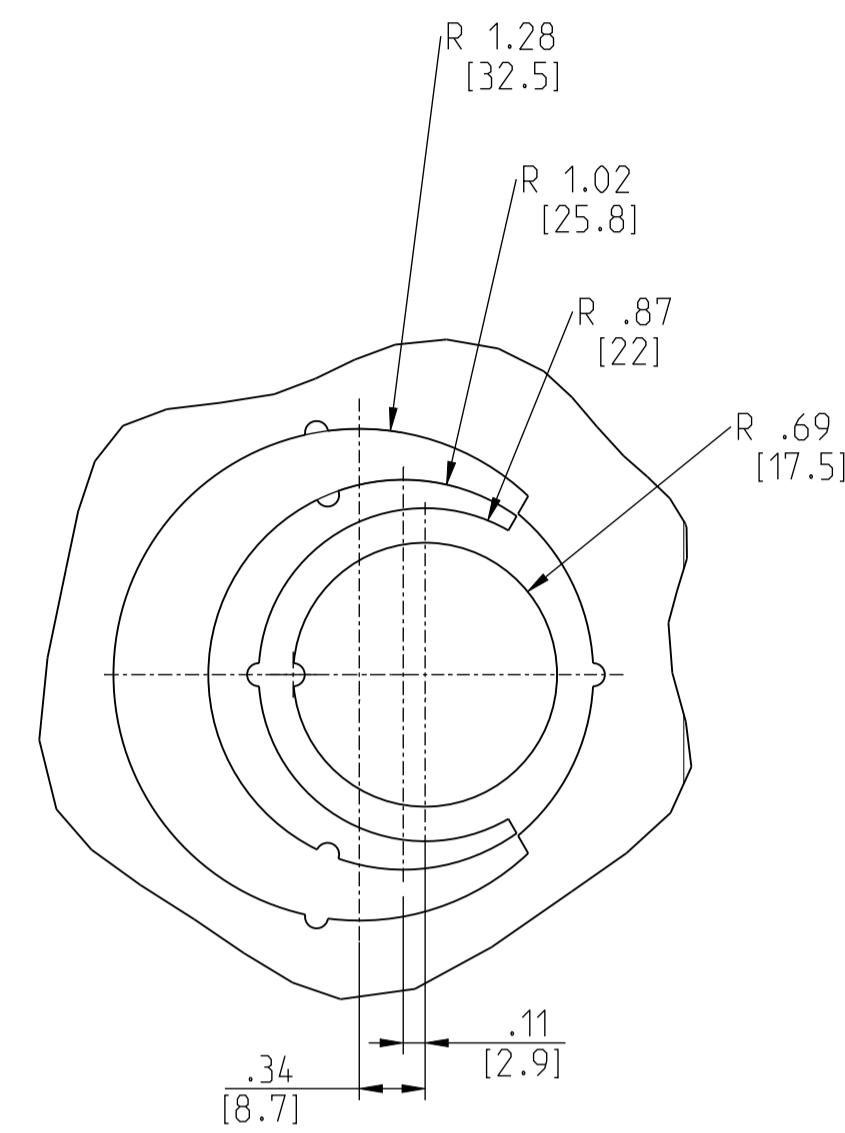


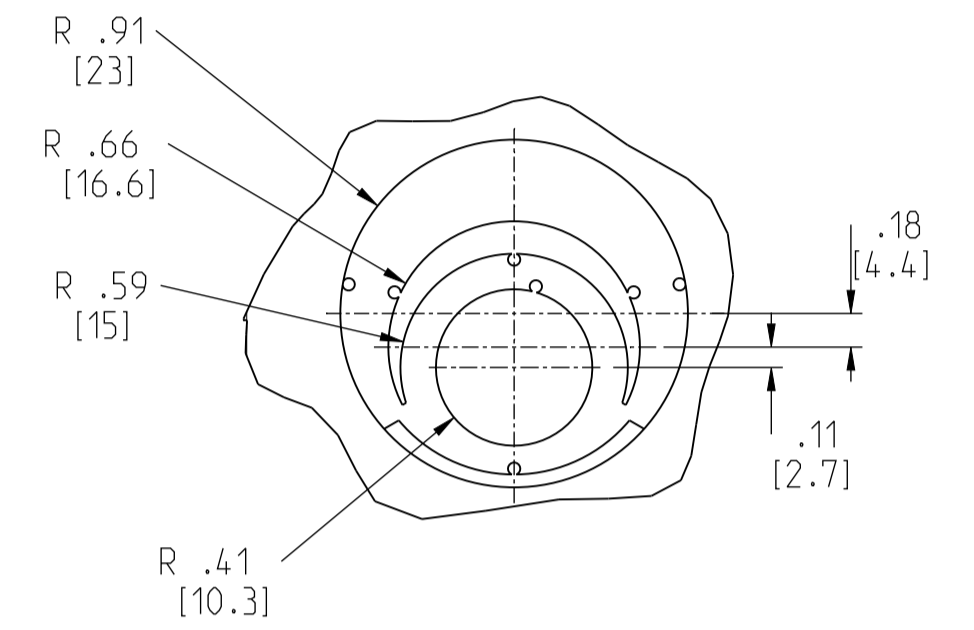
| | | | |
|---|--|--------------------------|---------------------------|
| | Scale: NTS | Technical Specification: | Units of measure : |
| | Document Description: APVH363BRBGL_CUSTOMER-DRAWING | | |
| Document Number: APVH363BRBGL_CUSTOMER-DRAWING | | Doc. Rev. 00 | Sheet: 1/3 |
| <small>The information is highly confidential and is the exclusive property of Schneider Electric. It is not to be disclosed or reproduced in any way without permission from the Schneider Electric Group. This drawing must not be used for any purpose other than that expressly permitted in writing to the recipient and may not be disclosed or reproduced in any way without permission from the Schneider Electric Group. This drawing must not be used for any purpose other than that expressly permitted in writing to the recipient and may not be disclosed or reproduced in any way without permission from the Schneider Electric Group.</small> | | | State: Provisional |



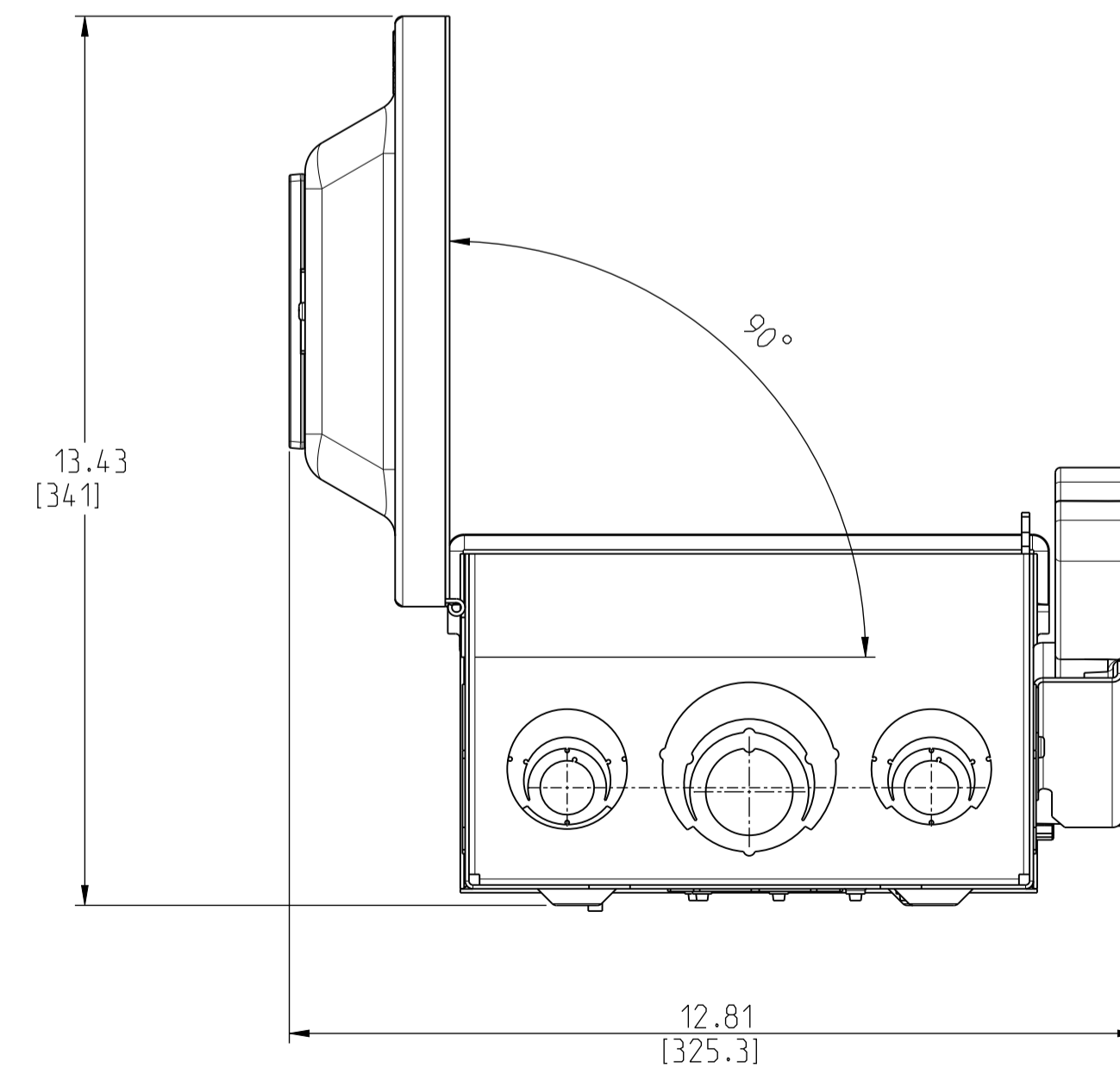
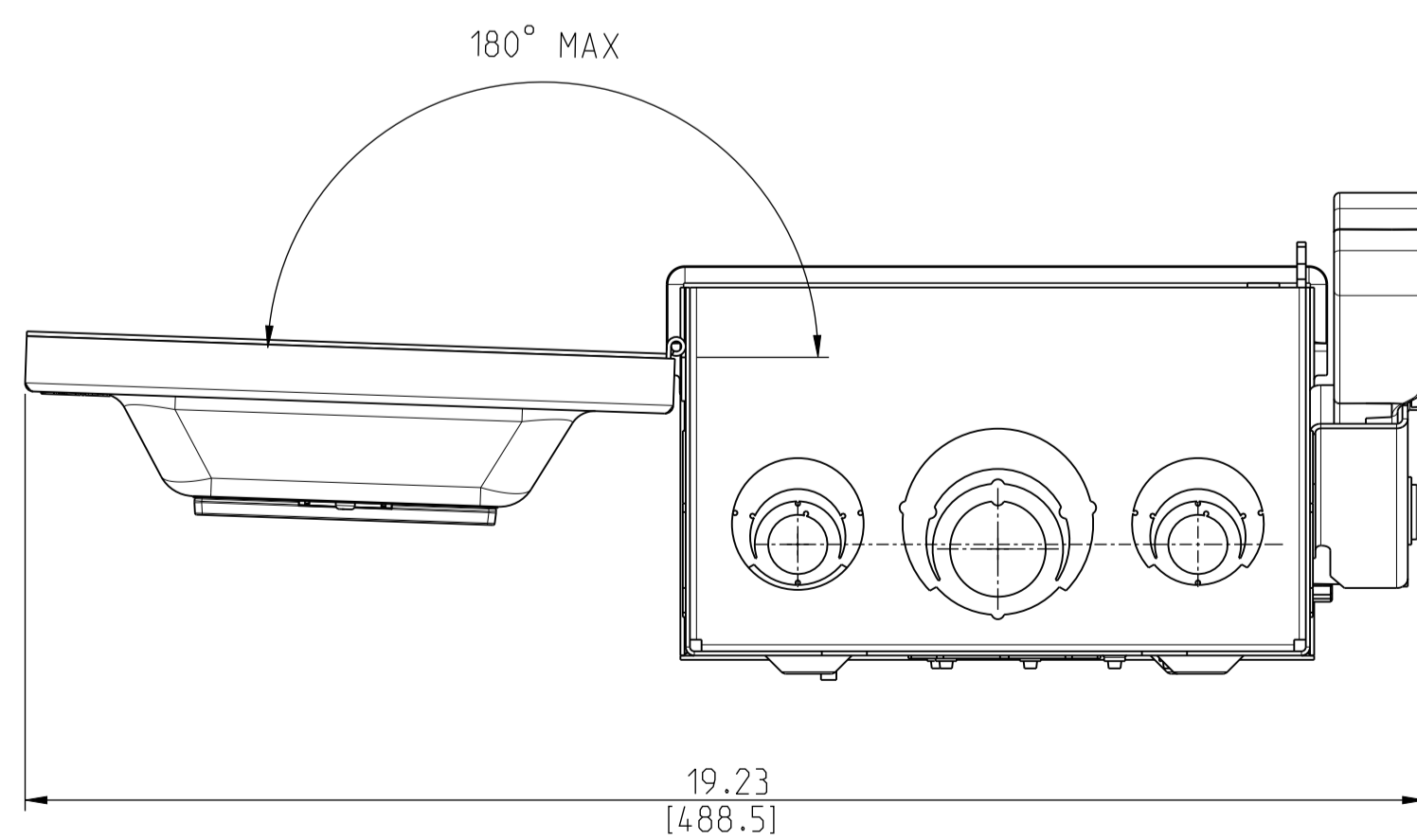
DETAIL A



DETAIL B

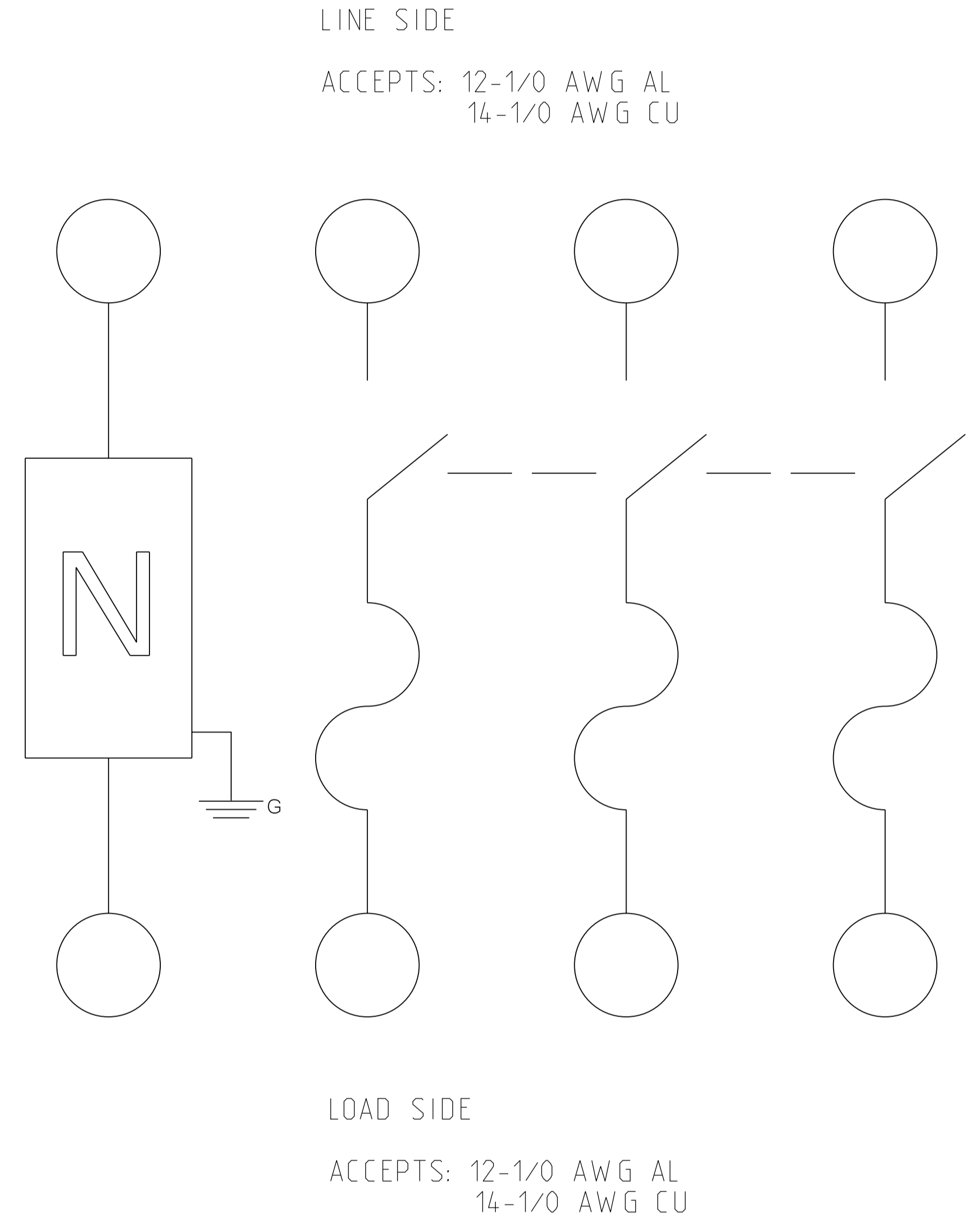


DETAIL D



| | | | |
|--|---|--------------------------|----------------------|
| | Scale: NTS | Technical Specification: | Units of measure: in |
| | Document Description: APVH363BRBGL_CUSTOMER-DRAWING | | |
| Document Number: APVH363BRBGL_CUSTOMER-DRAWING | | Doc. Rev. 00 | Sheet: 2/3 |
| <small>The information is highly confidential and is the exclusive property of Schneider Electric. Copyright reserved. This drawing must not be used for any purpose other than that expressly permitted in writing by the issuer and may not be disclosed or reproduced in any way without permission from the issuer in writing. This drawing may be returned to the issuer when the order has closed.</small> | | | |

| | | |
|----------------|----------------|-----------------|
| CATALOG NUMBER | VOLTAGE RATING | AMPERAGE RATING |
| VH363BRBGL | 600VAC/VDC | 100A |



| HORSEPOWER RATINGS | | | |
|--------------------|---|-----|-----|
| VOLTS | Ø | STD | MAX |
| 240V~ | 1 | 7.5 | 15 |
| 240V~ | 3 | 15 | 30 |
| 480V~ | 1 | 10 | 30 |
| 480V~ | 3 | 25 | 60 |
| 600V~ | 3 | 30 | 75 |
| 250V= | | 20 | |
| 600V= | | 40 | 50 |

| KIT | ACCESORIES | |
|-------------------------|-------------|---|
| | VOLTAGE | PART NUMBER |
| ELECTRICAL INTERLOCK | 600V & 240V | EIK1, EIK2 |
| CLASS R FUSE KITS | 600V & 240V | RFK10 |
| INTERNAL BARRIER | 600V & 240V | SS10 |
| FUSE PULLER | 600V & 240V | JFPK0610 |
| SOLID NEUTRAL ASSEMBLY | 600V & 240V | SN0610 for Al SN0610C for Cu |
| EQUIPMENT GROUNDING KIT | 600V & 240V | GTK0610 for Al GTK0610C for Cu |
| TOUCH UP PAINT | 600V & 240V | PK49SP |
| LOCK OFF/ON | 600V & 240V | LOGK2 |
| COPPER LUGS | 600V & 240V | CL10F |
| COMPRESSION LUGS | 600V & 240V | VCEL02114S1 for Al VCELC02114S1 for Cu |

| | | | |
|---|--|--------------------------|-------------------|
| | Scale: NTS | Technical Specification: | Units of measure: |
| | Document Description: APVH363BRBGL_CUSTOMER-DRAWING | | |
| Document Number: APVH363BRBGL_CUSTOMER-DRAWING | | Doc. Rev. 00 | Sheet: 3/3 |
| <small>The information is highly confidential and is the exclusive property of Schneider Electric. It is intended for internal use only. It is not to be distributed or reproduced in any way without permission from the Schneider Electric Group. This drawing must not be used for any purpose other than that expressly permitted in writing by the users and may not be disclosed or reproduced in any way without permission from the Schneider Electric Group. This drawing must be marked with the Schneider Electric logo.</small> | | | |