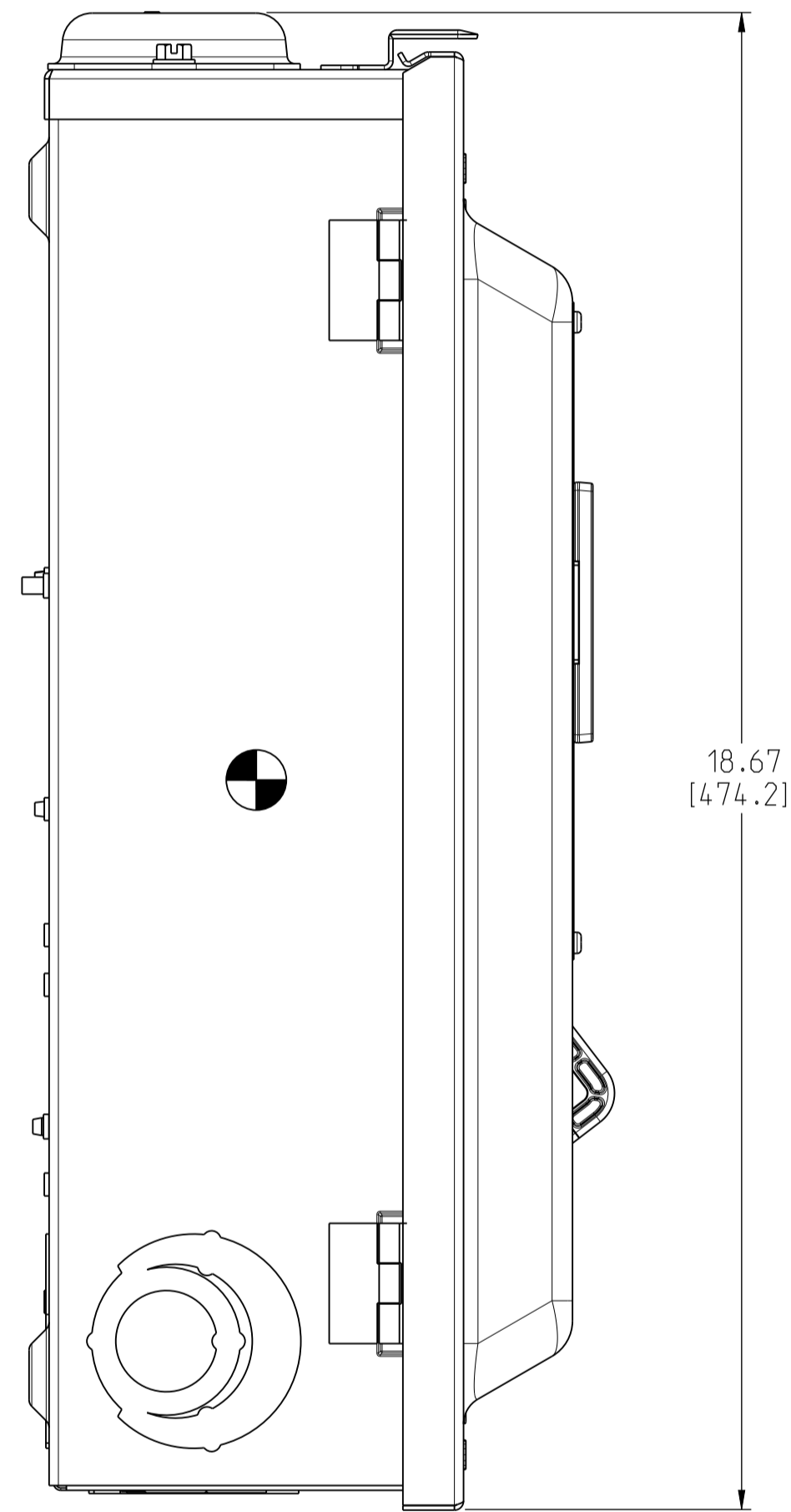
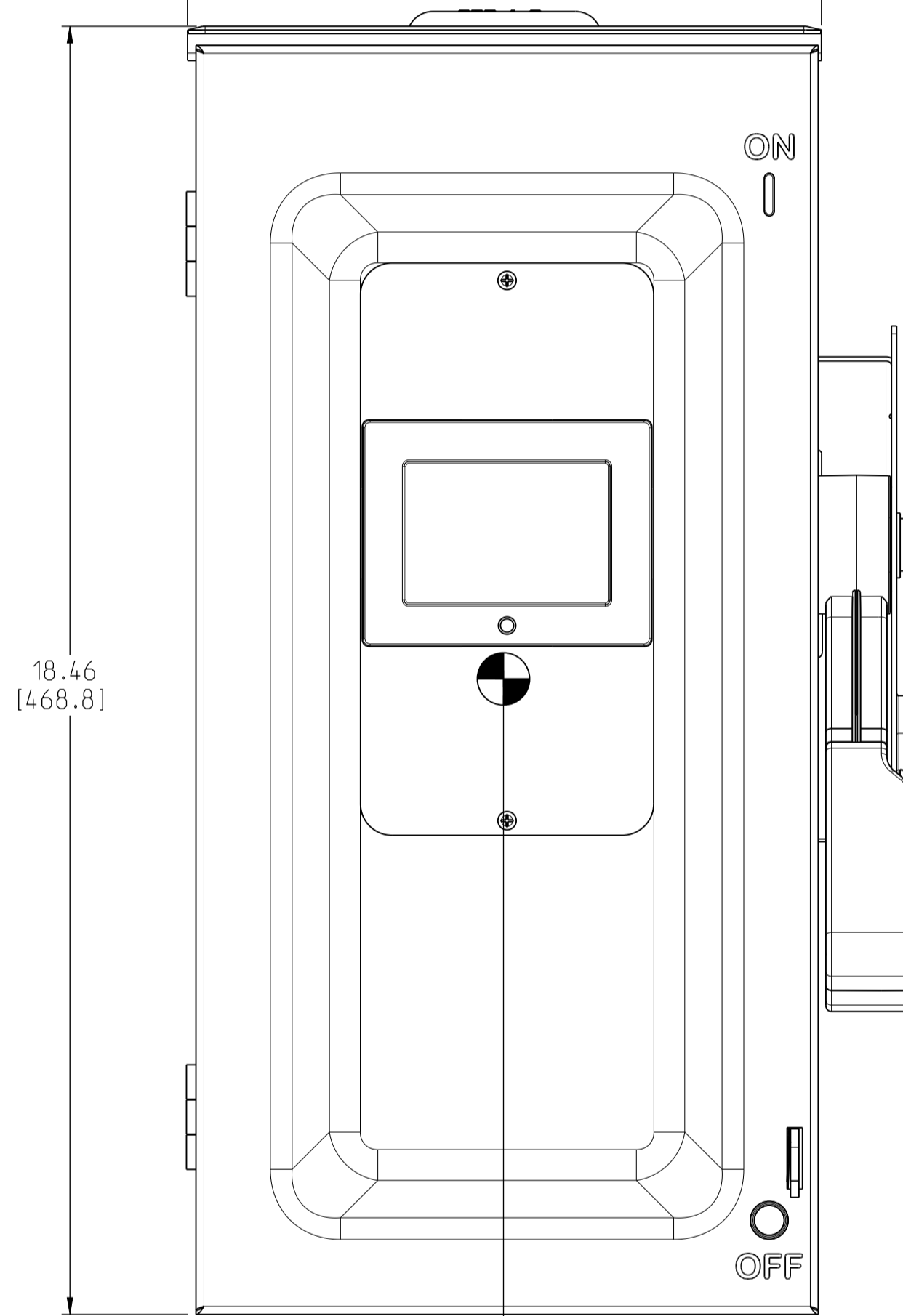


10.39
[263.8]
9.08
[230.6]



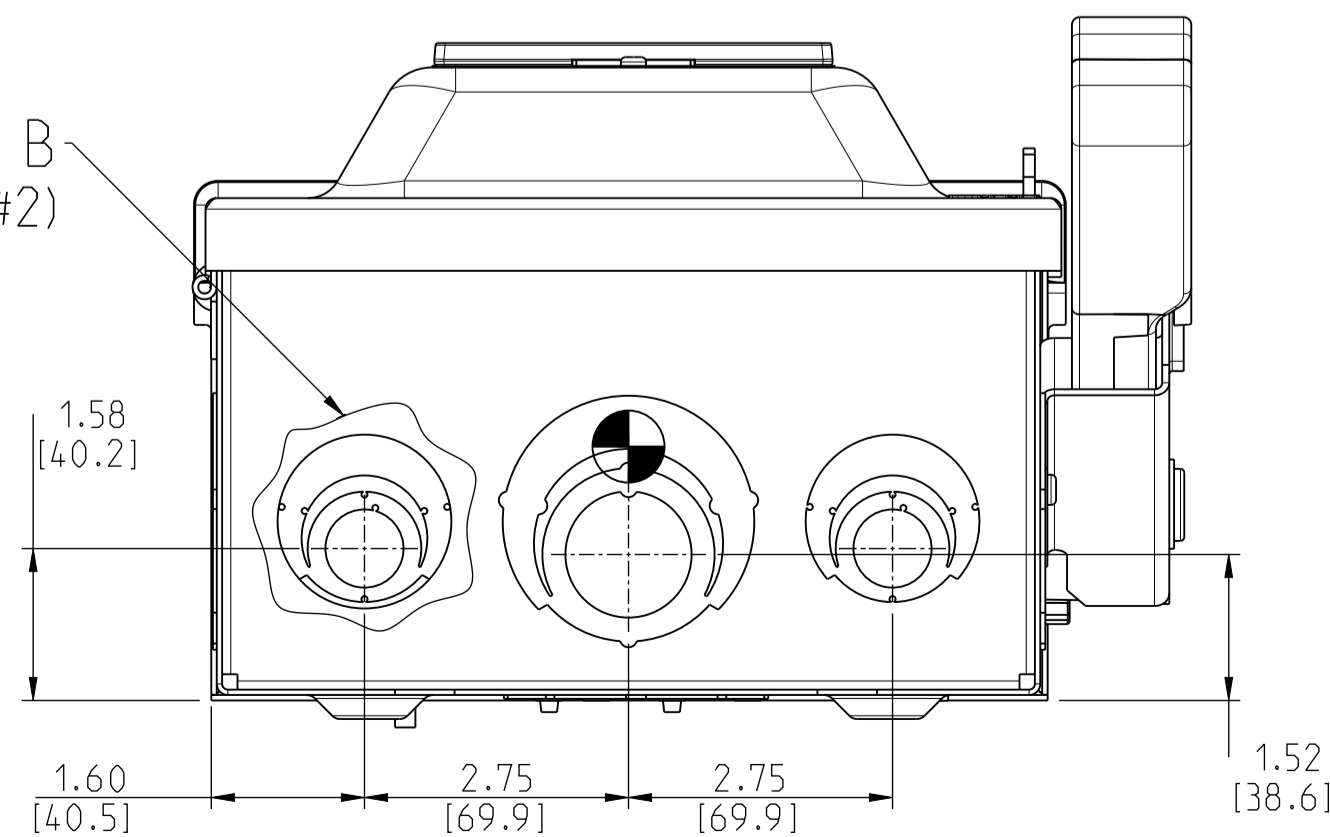
18.67
[474.2]



18.46
[468.8]

4.41
[11.9]

DETAIL B
(SEE PAGE #2)



1.58
[40.2]

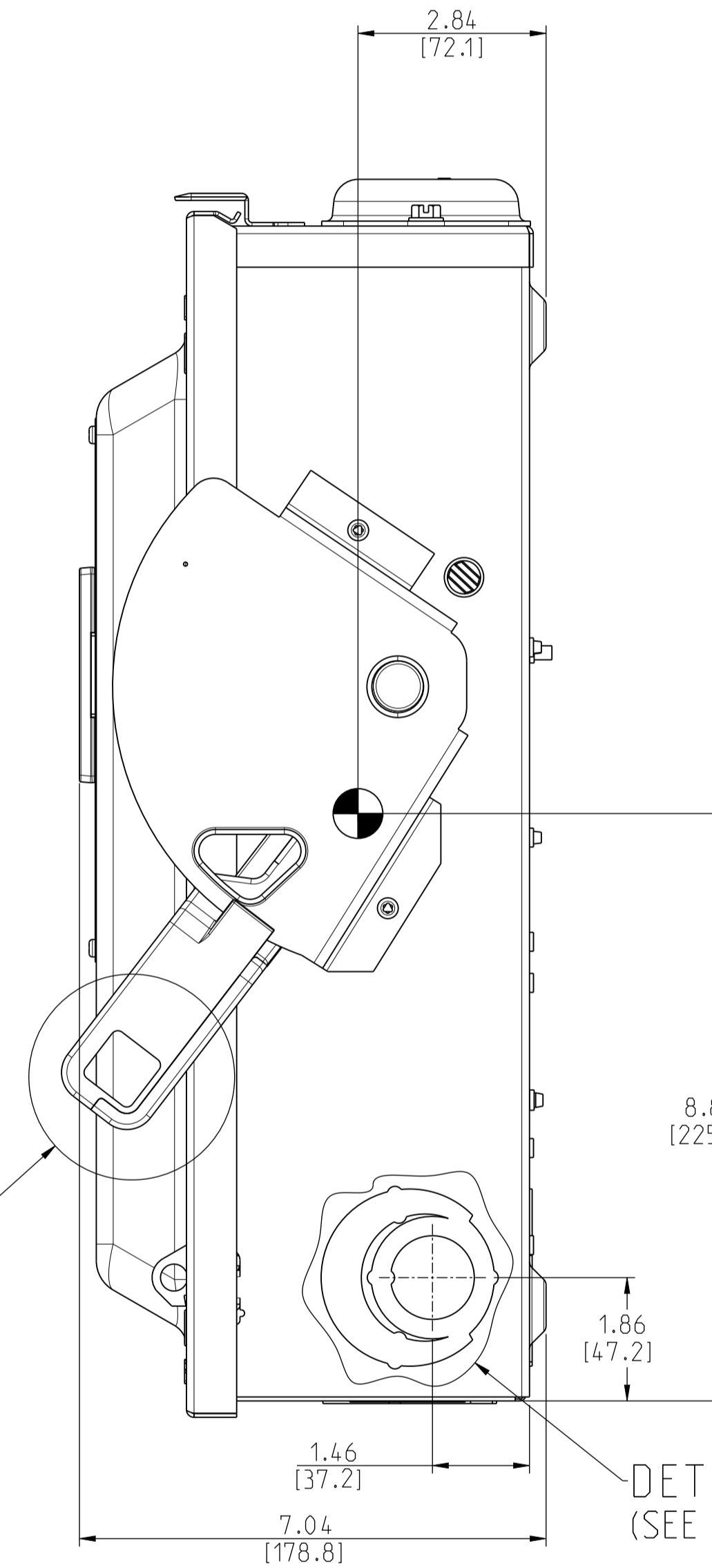
1.60
[40.5]

2.75
[69.9]

2.75
[69.9]

1.52
[38.6]

DETAIL A
(SEE PAGE #2)



2.84
[72.1]

8.86
[225.0]

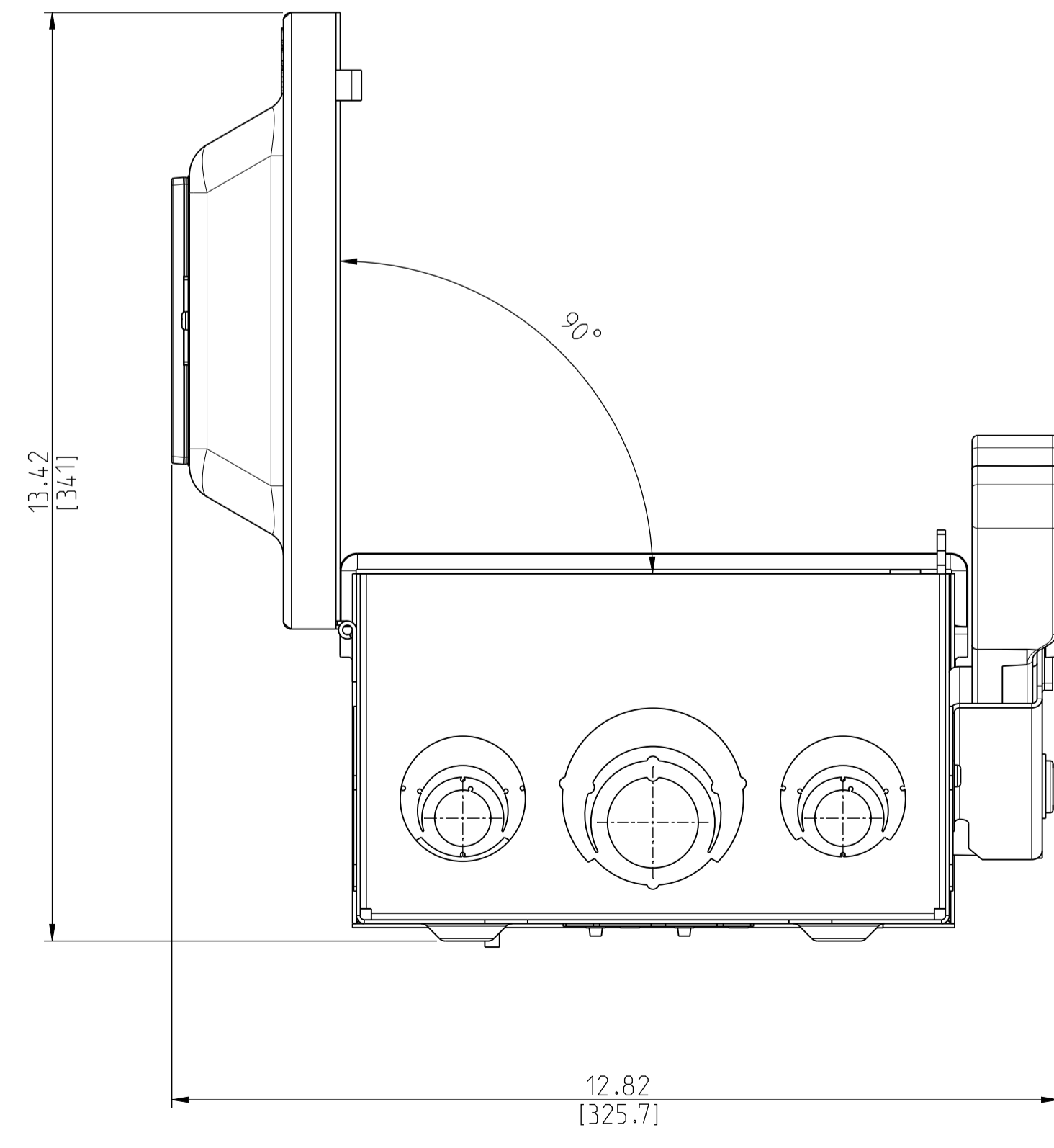
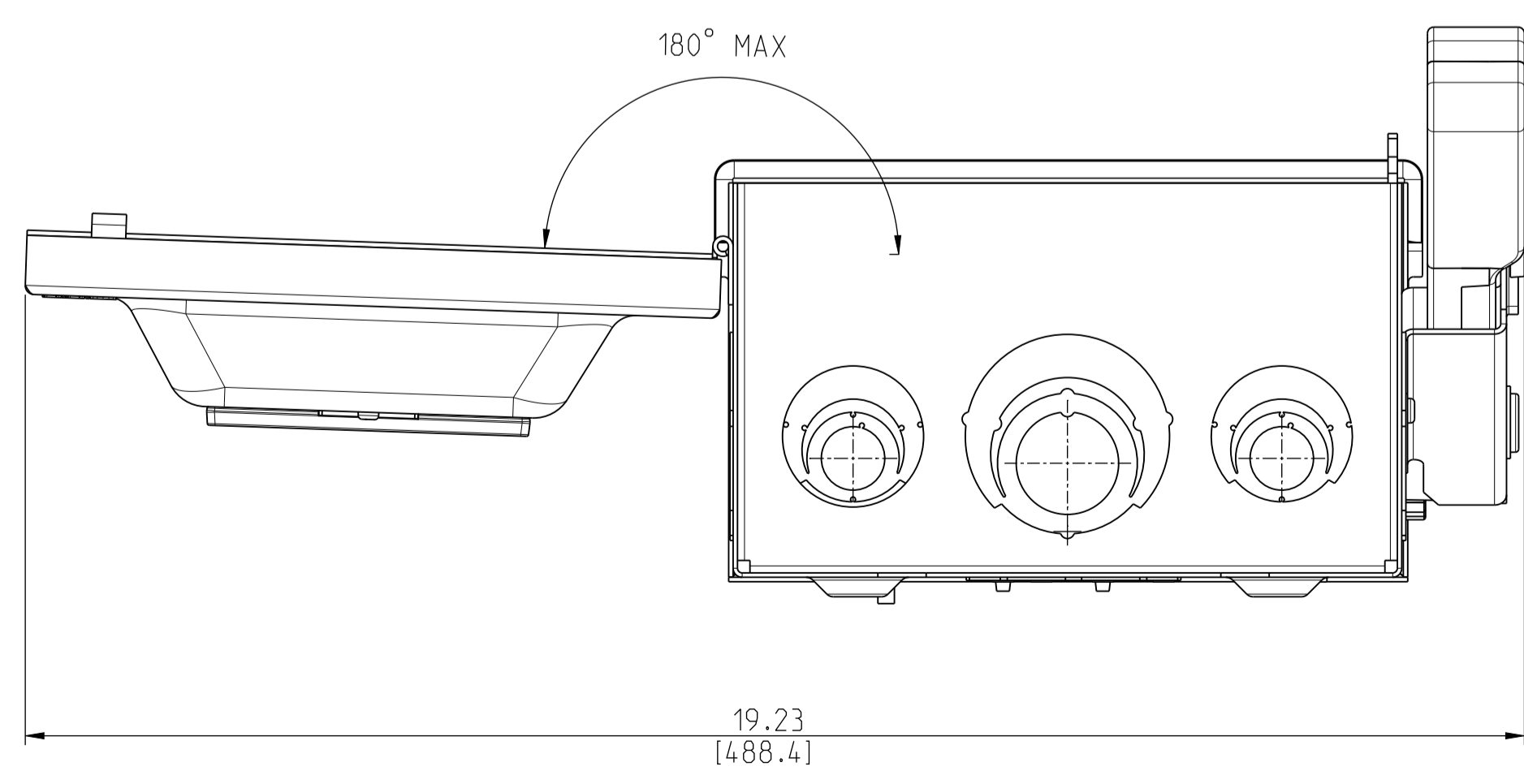
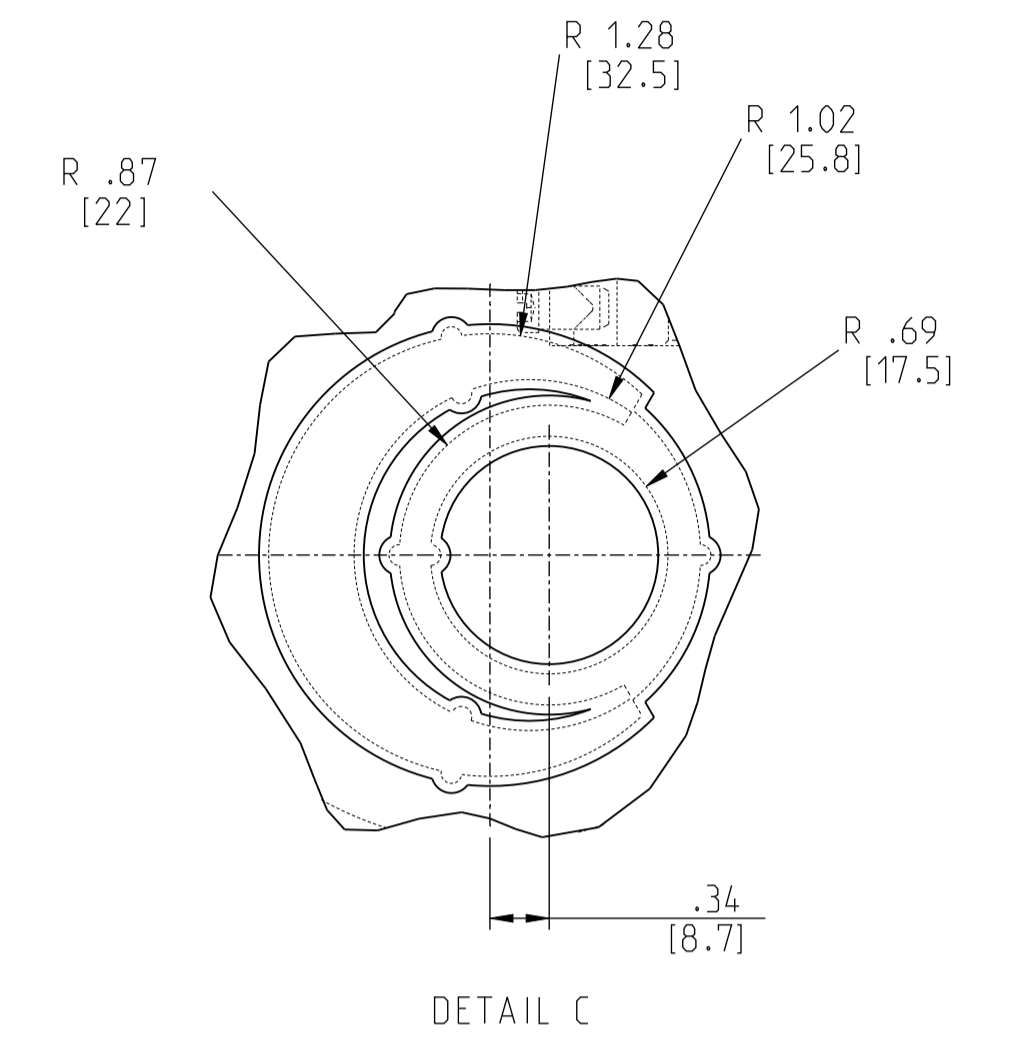
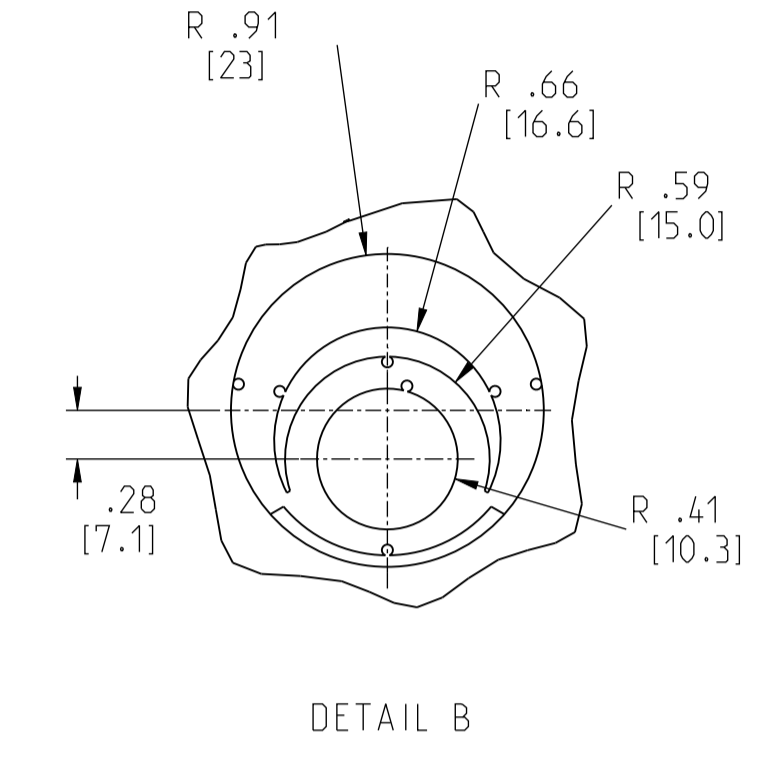
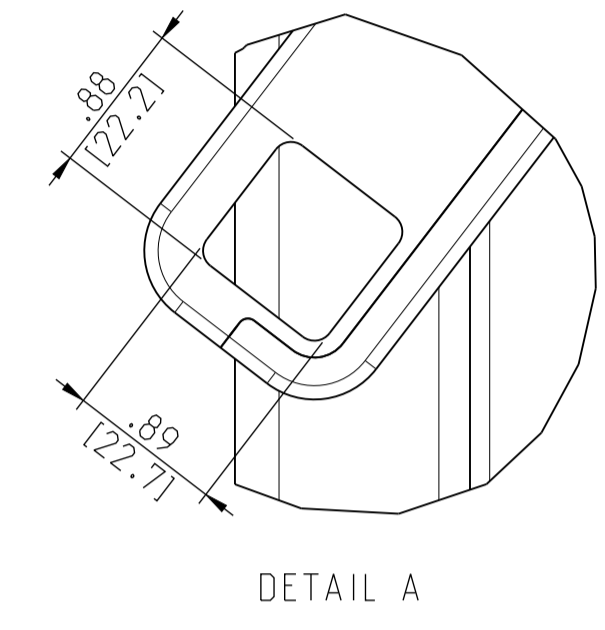
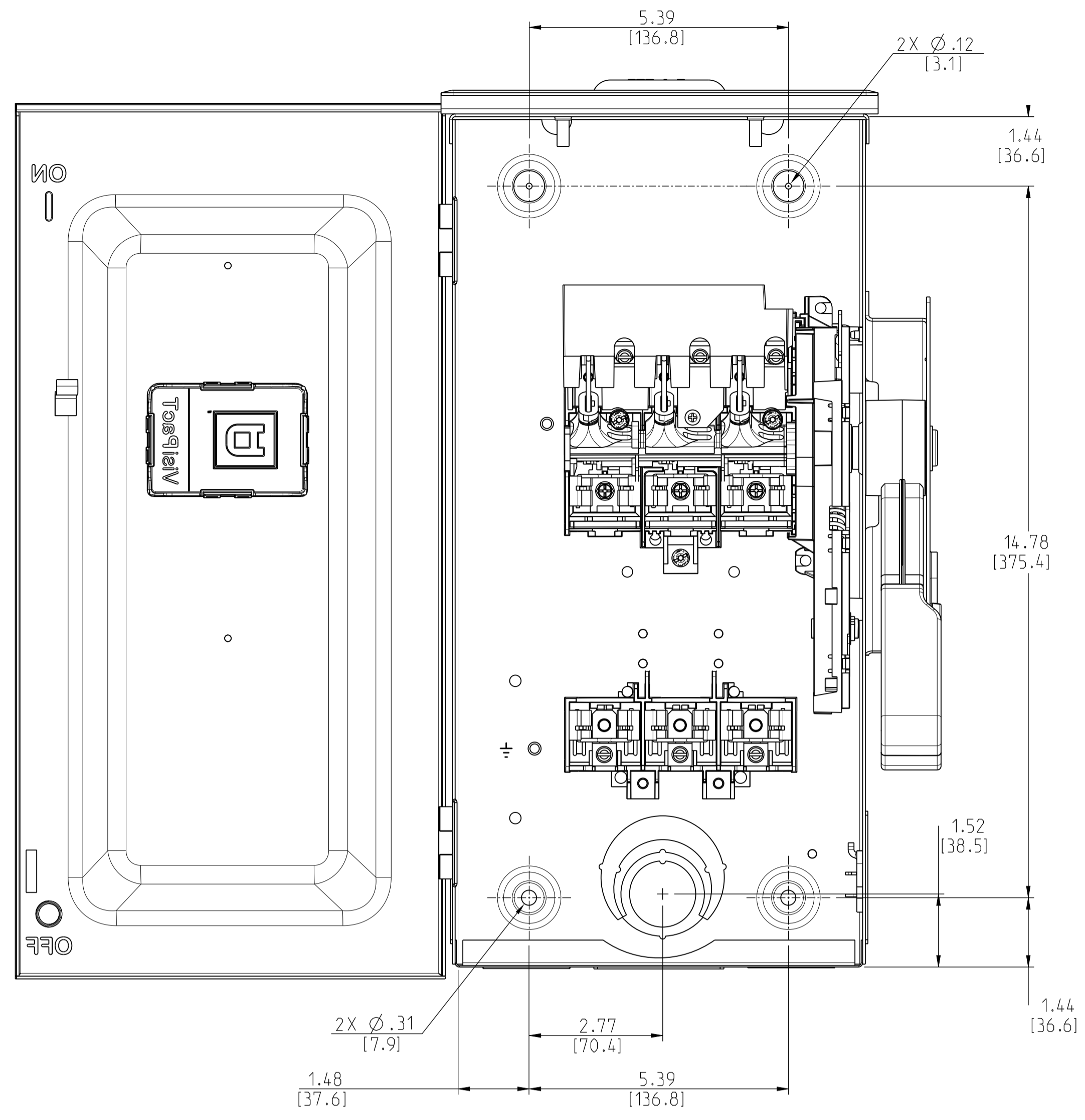
1.86
[47.2]

DETAIL C
(SEE PAGE #2)

1.46
[37.2]

7.04
[178.8]

| | | | |
|---|--|--------------------------|-----------------------------------|
| | Scale: NTS | Technical Specification: | Units of measure: in |
| | Document Description: APVH362RB_CUSTOMER-DRAWING | | Doc. Rev. Sheet: 00 1/3 |
| Document Number: APVH362RB_CUSTOMER-DRAWING | | State: | |

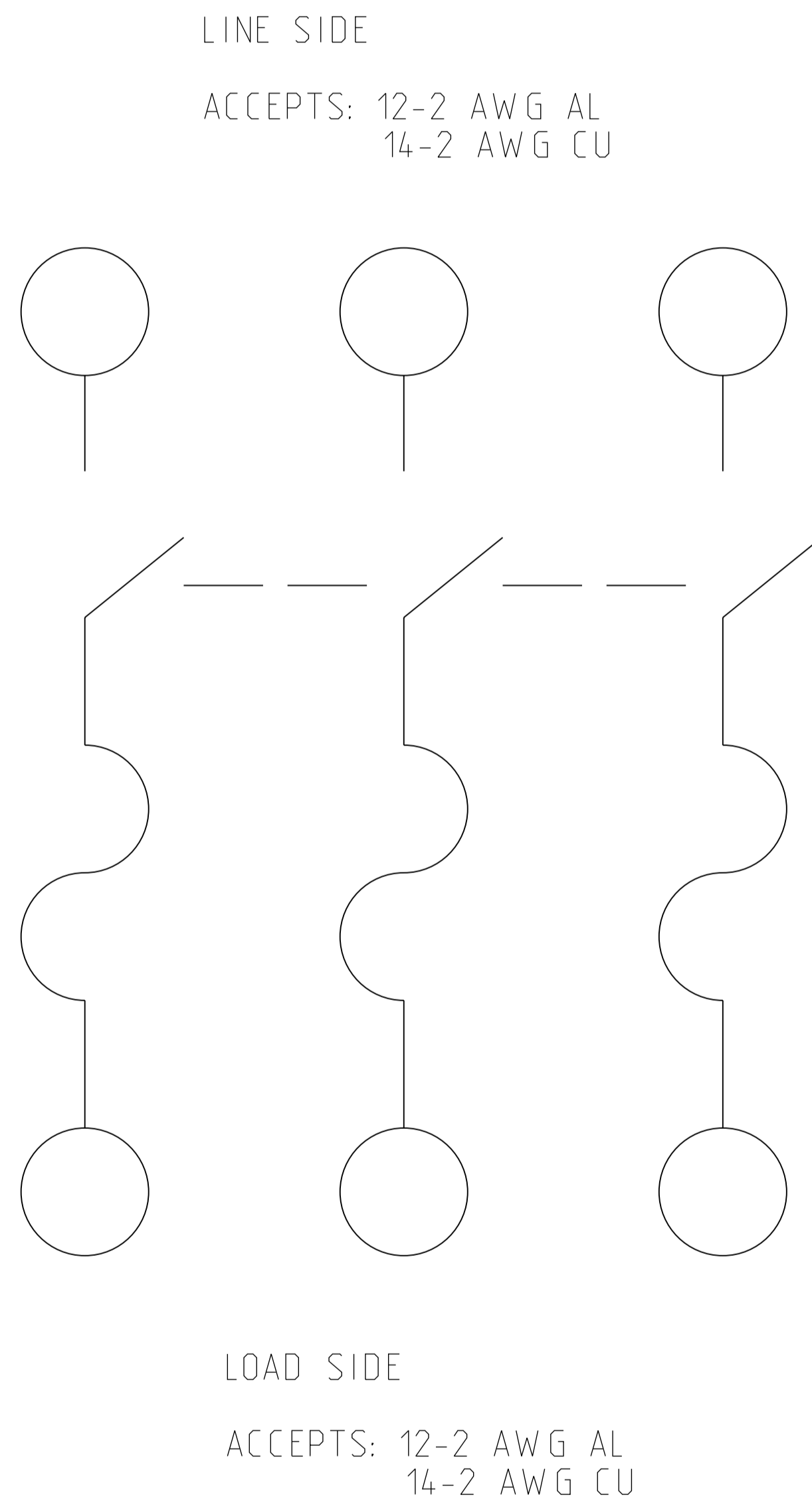


| | | | |
|--|---|--------------------------|-------------------------|
| | Scale: NTS | Technical Specification: | Units of measure: in |
| | Document Description: APVH362RB_CUSTOMER-DRAWING | | Doc. Rev. Sheet: OO 2/3 |
| Document Number: APVH362RB_CUSTOMER-DRAWING | | State: | |

The information is highly confidential and is the exclusive property of Schneider Electric. Copyright reserved. This drawing must not be used for any purpose other than that expressly mentioned in writing by the users and must not be disclosed or transmitted in any way without permission from the company in writing. This drawing must be returned to the company when the service has ceased.

| CATALOG NUMBER | VOLTAGE RATING | AMPERAGE RATING |
|----------------|----------------|-----------------|
| VH362RB | 600 VAC/VDC | 60A |

| HORSEPOWER RATINGS | | | |
|--------------------|----|-----|-----|
| VOLTS | Ø | STD | MAX |
| 240V~ | 1 | 3 | 10 |
| 240V~ | 3 | 7.5 | 15 |
| 480V~ | 1 | 5 | 20 |
| 480V~ | 3 | 15 | 30 |
| 600V~ | 3 | 15 | 50 |
| 250V= | -- | 10 | -- |
| 600V= | -- | 25 | 30 |



| ACCESSORIES | | |
|-------------------------|-------------|-----------------------------------|
| KIT | VOLTAGE | PART NUMBER |
| ELECTRICAL INTERLOCK | 600V | EIK1, EIK2 |
| | 240V | EIK031, EIK032 |
| CLASS R FUSE KITS | 600V | RFK03H, RFK06 |
| | 240V | RFK03L |
| INTERNAL BARRIER | 600V | SS06 |
| | 240V | SS03 |
| FUSE PULLER | 600V | FPK0610 |
| | 240V | FPK03 |
| SOLID NEUTRAL ASSEMBLY | 600V | SN0610 for Al SN0610C for Cu |
| | 240V | SN03 for Al SN03C for Cu |
| EQUIPMENT GROUNDING KIT | 600V | GTK0610 for Al GTK0610C for Cu |
| | 240V | GTK03 for Al GTK03C for Cu |
| TOUCH UP PAINT | 600V & 240V | PK49SP |
| LOCK OFF/ON | 600V | LOGK2 |
| | 240V | LOGK1 |
| COPPER LUGS | 600V & 240V | CL0306F |

| | | | |
|---|---------------|----------------------------|-------------------------|
| | Scale: NTS | Technical Specification: | Units of measure: in |
| Document Description: APVH362RB_CUSTOMER-DRAWING | | Doc. Rev. Sheet: 00 3/3 | |
| Document Number: APVH362RB_CUSTOMER-DRAWING | | State: | |